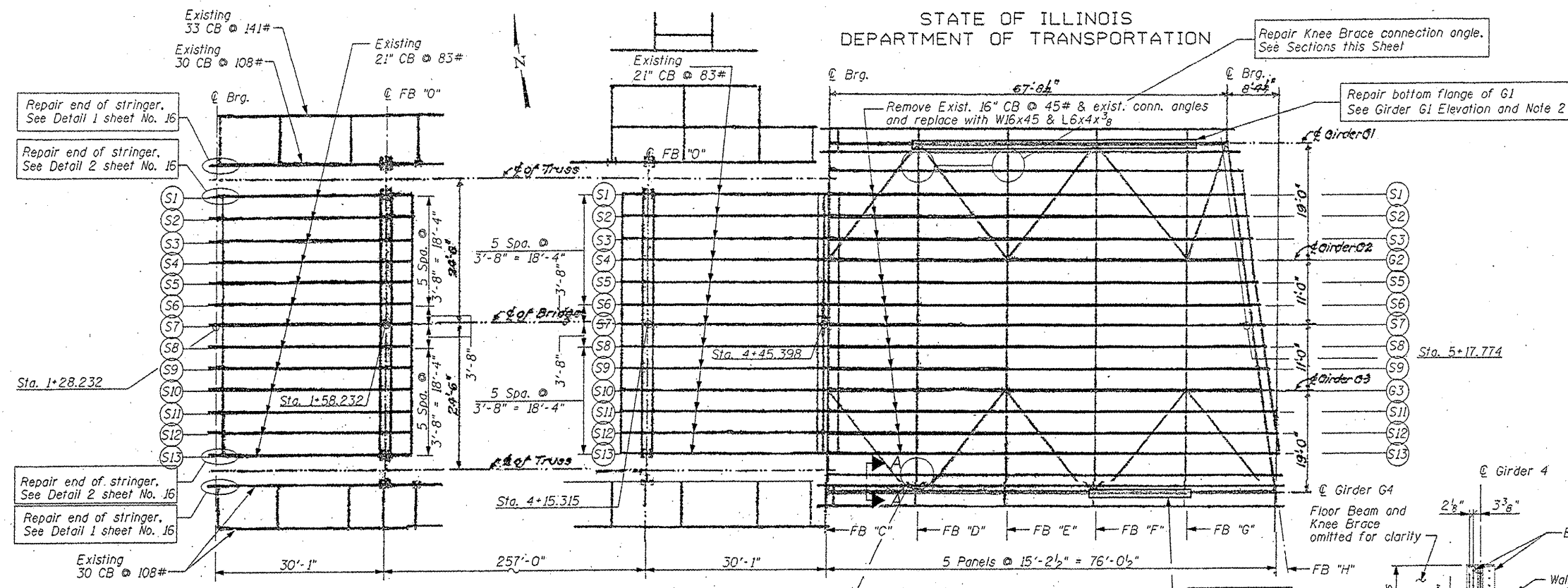


STATE OF ILLINOIS  
DEPARTMENT OF TRANSPORTATION

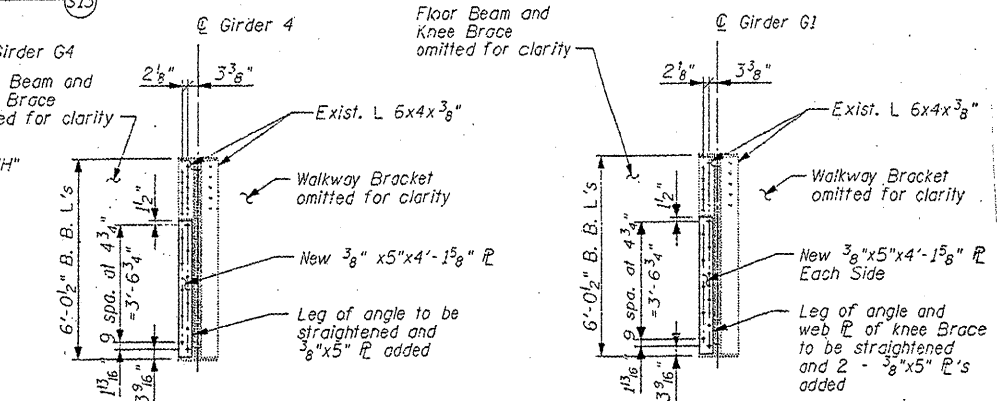


WEST FIXED SPAN

EAST FIXED SPAN

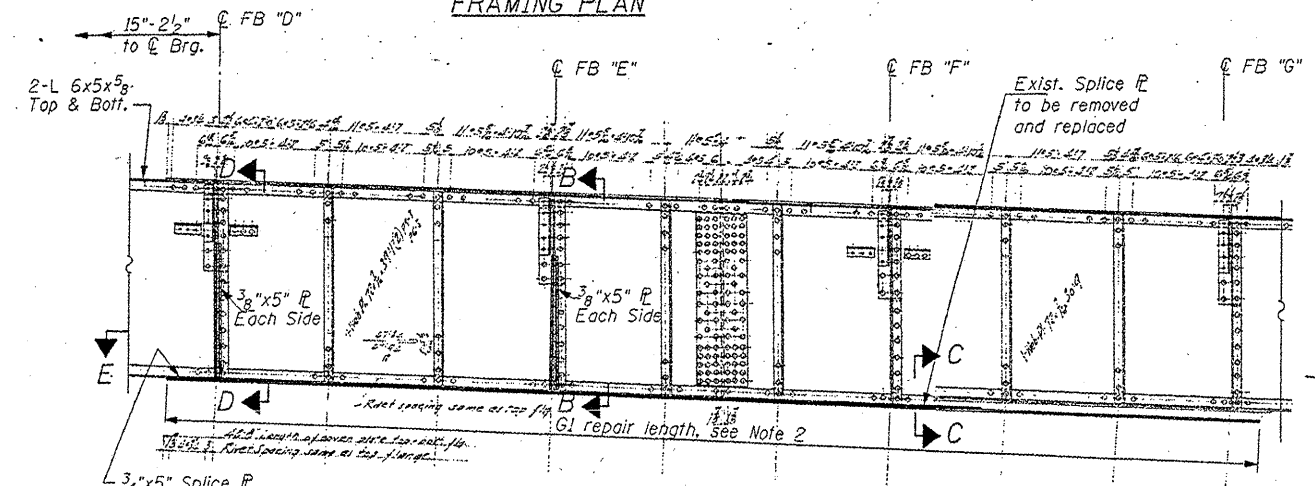
EAST APPROACH SPAN

FRAMING PLAN

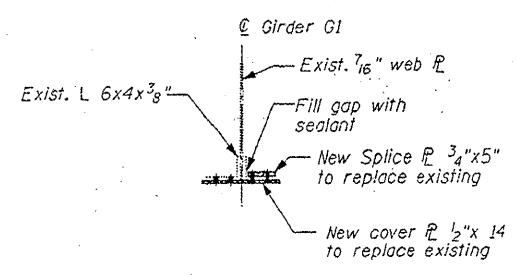


SECTION A-A

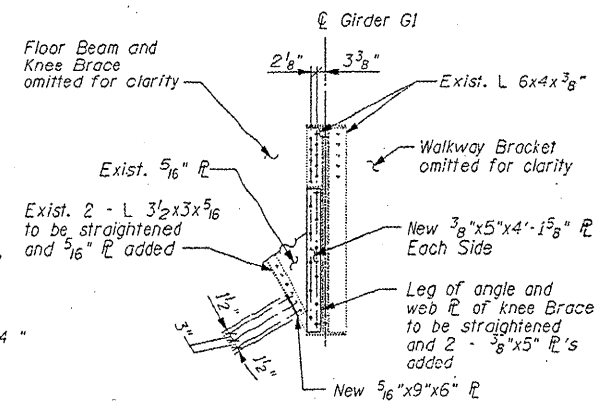
SECTION B-B



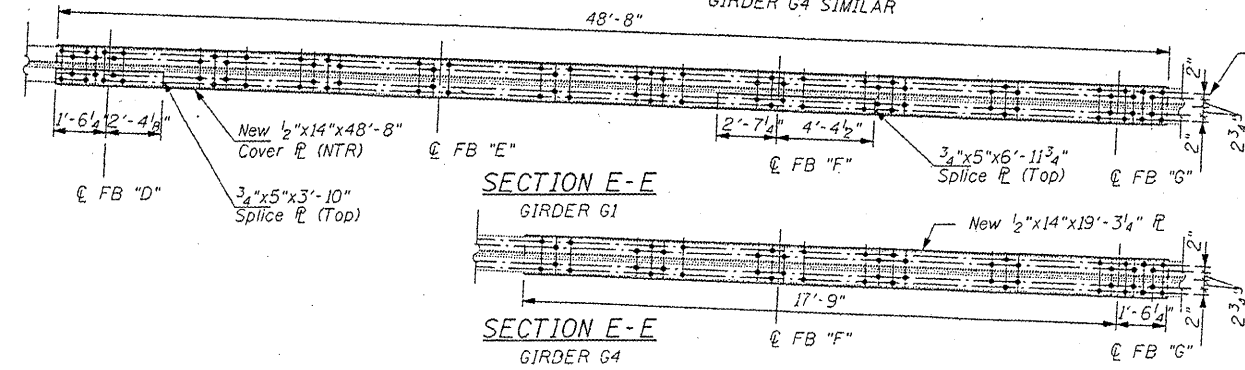
GIRDER G1 ELEVATION  
GIRDER G4 SIMILAR



SECTION C-C



SECTION D-D



SECTION E-E  
GIRDER G1

SECTION E-E  
GIRDER G4

**FOR INFORMATION ONLY**

EAST APPROACH & FIXED SPANS  
FRAMING PLAN & DETAILS  
RUBY STREET (F.A.P.112) OVER  
DES PLAINES RIVER  
WILL COUNTY  
STRUCTURE NUMBER 099-9901

FILE NAME =	USER NAME = midjje	DESIGNED -	REVISED -	STATE OF ILLINOIS DEPARTMENT OF TRANSPORTATION	RUBY STREET OVER DES PLAINES RIVER SN 099-9901		F.A.P. RTE. 112	SECTION M-BDR-1	COUNTY WILL	TOTAL SHEETS 66	SHEET NO. 21	
ce:\pw_wor-k\p1dot\midjje\d0148931\N111504	shf-plan.dgn	DRAWN -	REVISED -		SCALE:	SHEET NO. 12 OF 30 SHEETS	STA.	TO STA.	ILLINOIS FED. AID PROJECT			
		CHECKED -	REVISED -									
		DATE -	REVISED -									