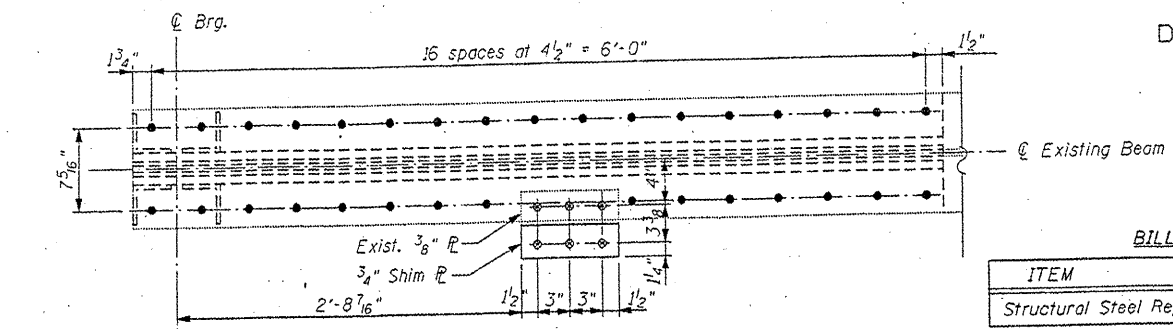


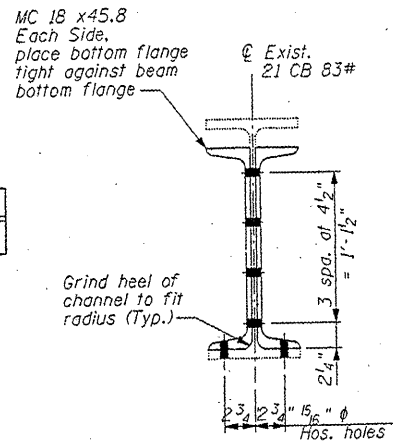
STATE OF ILLINOIS
DEPARTMENT OF TRANSPORTATION



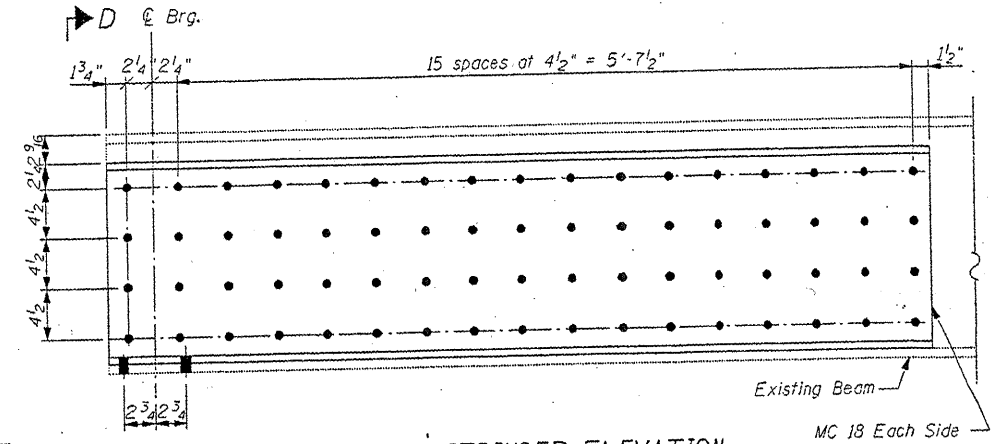
SECTION A-A

BILL OF MATERIAL

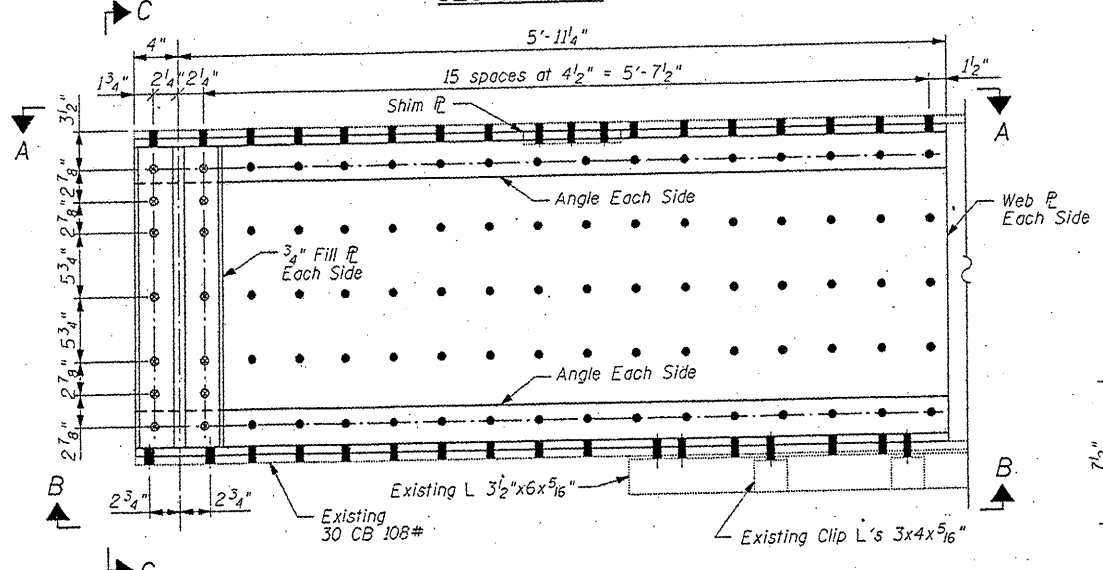
ITEM	UNIT	QUANTITY
Structural Steel Repair	Pound	3,340



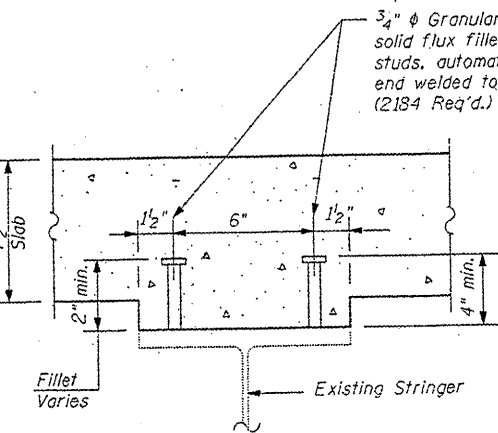
SECTION D-D



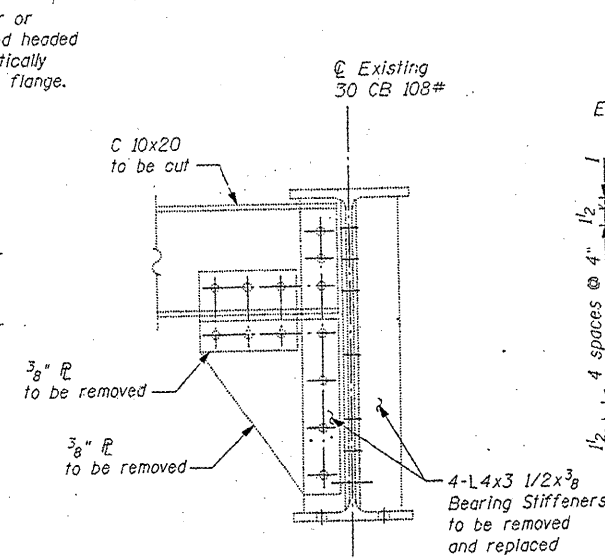
ROADWAY STRINGER ELEVATION
DETAIL 2
(WEST FIXED SPAN)



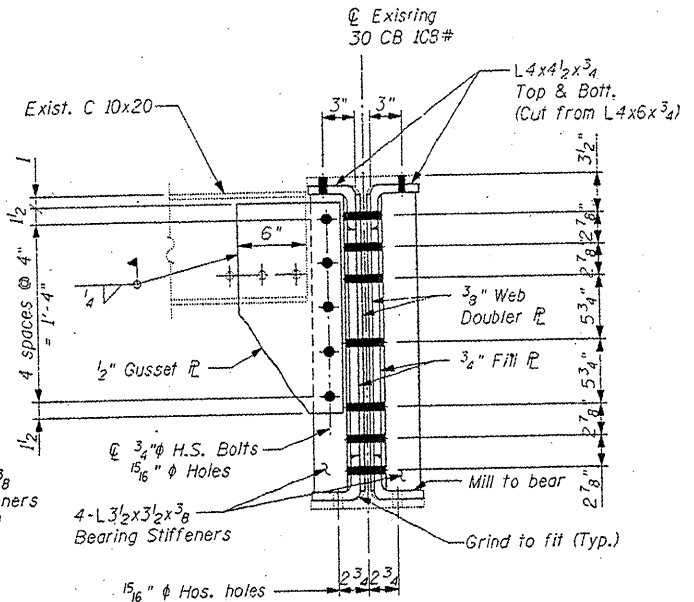
SIDEWALK STRINGER ELEVATION
DETAIL 1
(WEST FIXED SPAN)



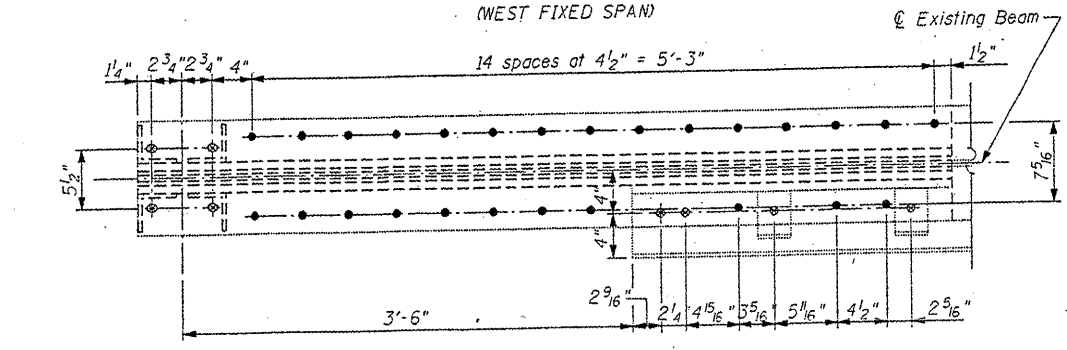
SECTION E-E



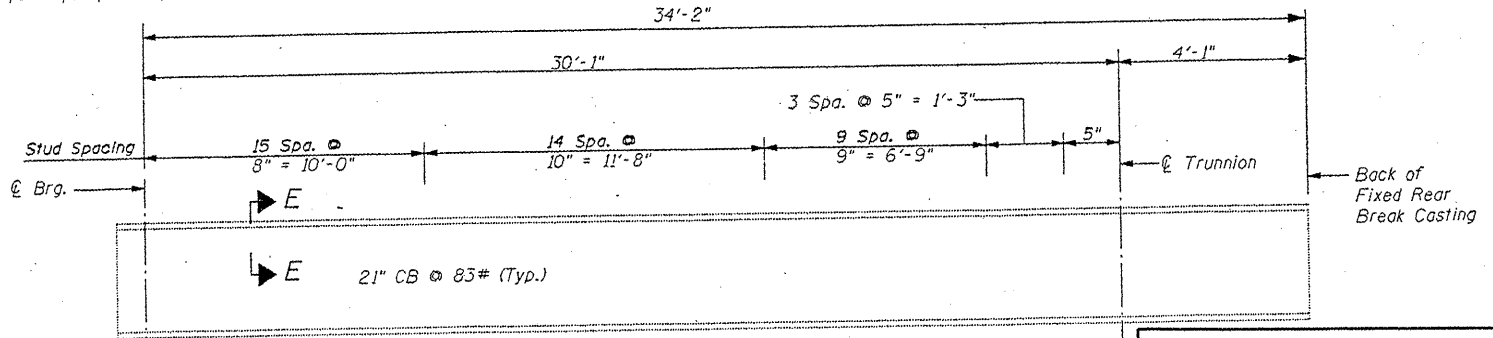
EXISTING STRINGER END SECTION



PROPOSED STRINGER END SECTION



SECTION B-B



STRINGER ELEVATION

(West fixed span shown, East fixed span opposite)

FOR INFORMATION ONLY

NOTE: Two hardened washers shall be required over all oversized holes.

REFERENCE DRAWINGS:

DRAWING WEST APPROACH BEAMS SHEET NO. 5075-53

FIXED SPANS
FRAMING DETAILS
RUBY STREET (F.A.P.112) OVER
DES PLAINES RIVER
WILL COUNTY
STRUCTURE NUMBER 099-9901

FILE NAME: c:\pwork\p10\dot\m\dy\j\011150\sh-t-plan.dgn	USER NAME: midyjo	DESIGNED: -	REVISED: -	STATE OF ILLINOIS DEPARTMENT OF TRANSPORTATION	RUBY STREET OVER DES PLAINES RIVER SN 099-9901	F.A.P. RTE. 112	SECTION M-BDR-1	COUNTY WILL	TOTAL SHEETS 66	SHEET NO. 22
PLOT SCALE: 1/8" = 1'-0"	PLOT DATE: 6/23/2011	DRAWN: -	REVISIONS: -	SCALE: SHEET NO. 13 OF 30 SHEETS	STA. TO STA.	CONTRACT NO. 62714				