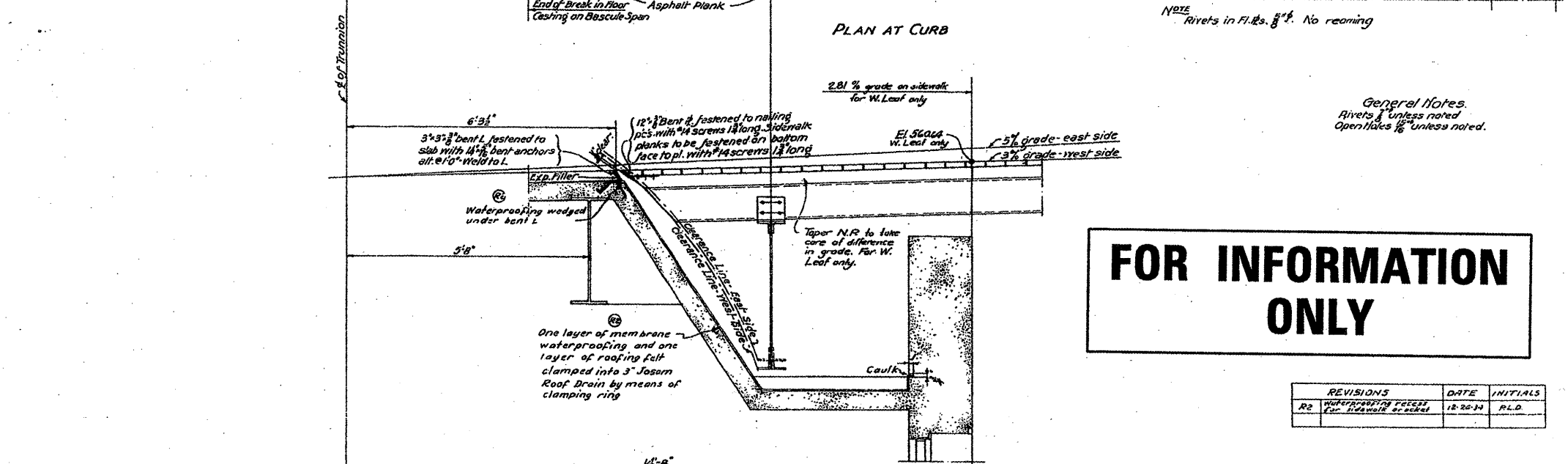
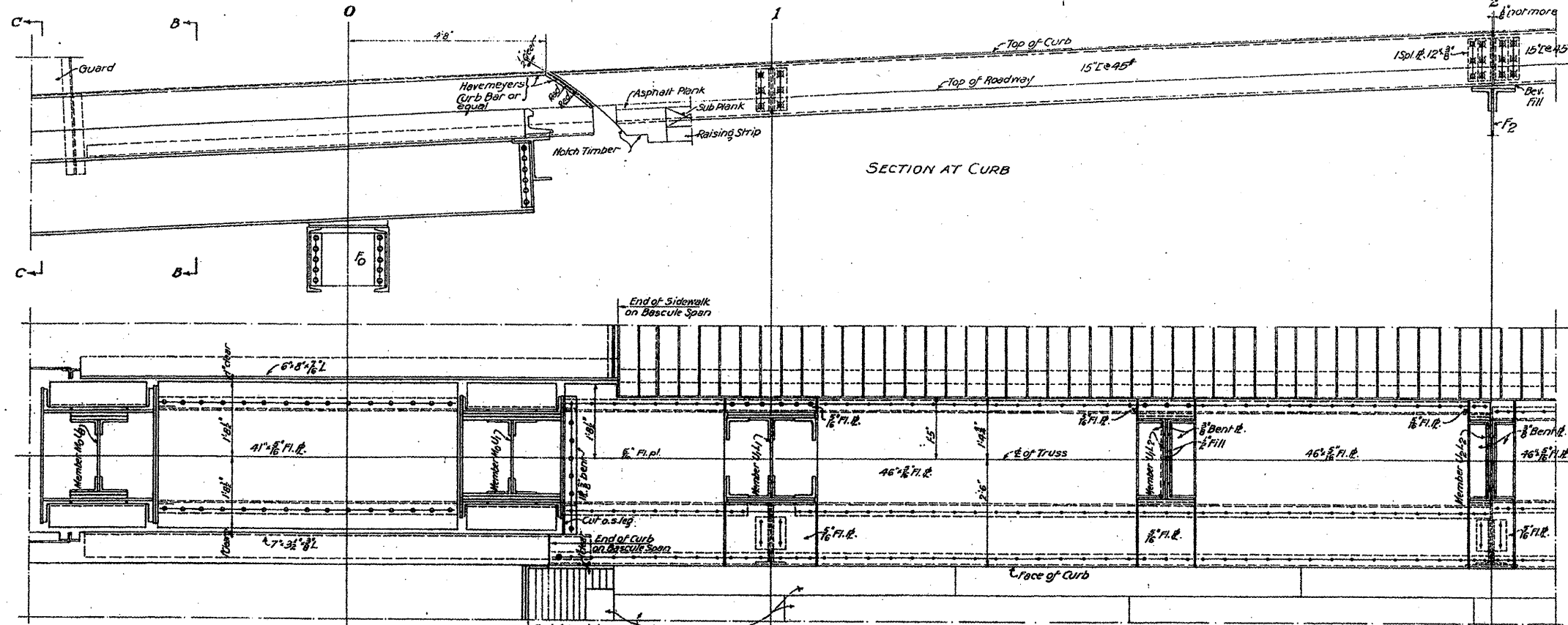


For Sections B-B, C-C see Sheet #27

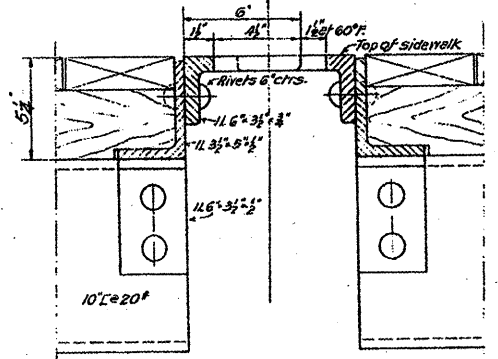
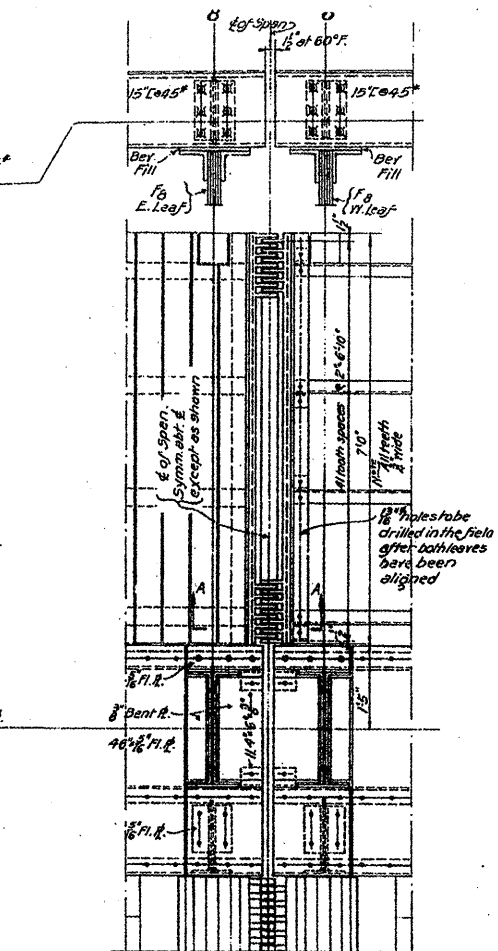


DETAILS AT REAR BREAK IN SIDEWALK FLOOR - NORTH SIDE OF WEST ABUTMENT  
DETAILS AT OTHER POINTS SIMILAR

**FOR INFORMATION ONLY**

REVISIONS	DATE	INITIALS
R2	12-20-11	R.L.D.

General Notes:  
Rivets  $\frac{1}{2}$  unless noted.  
Open Holes  $\frac{1}{8}$  unless noted.



**SECTION A-A**  
**RIVETS**  
SCALE 3"=10"  
  
CURB DETAILS  
AND  
BREAK IN SIDEWALK  
DOUBLE LEAF TRUNNION BASCULE BRIDGE  
OVER  
THE ILLINOIS WATERWAY  
AT  
RUBY ST., JOLIET, ILL.

DESIGNED BY  
**THE SCHERZER ROLLING LIFT BRIDGE CO.**  
MONADNOCK BLOCK, CHICAGO, ILL.  
  
DRAWN BY A.B.  
TRACED BY G.W.  
CHECKED BY P.L.A.  
  
SCALE: UNLESS NOTED  
DATE: APRIL 21, 1931.