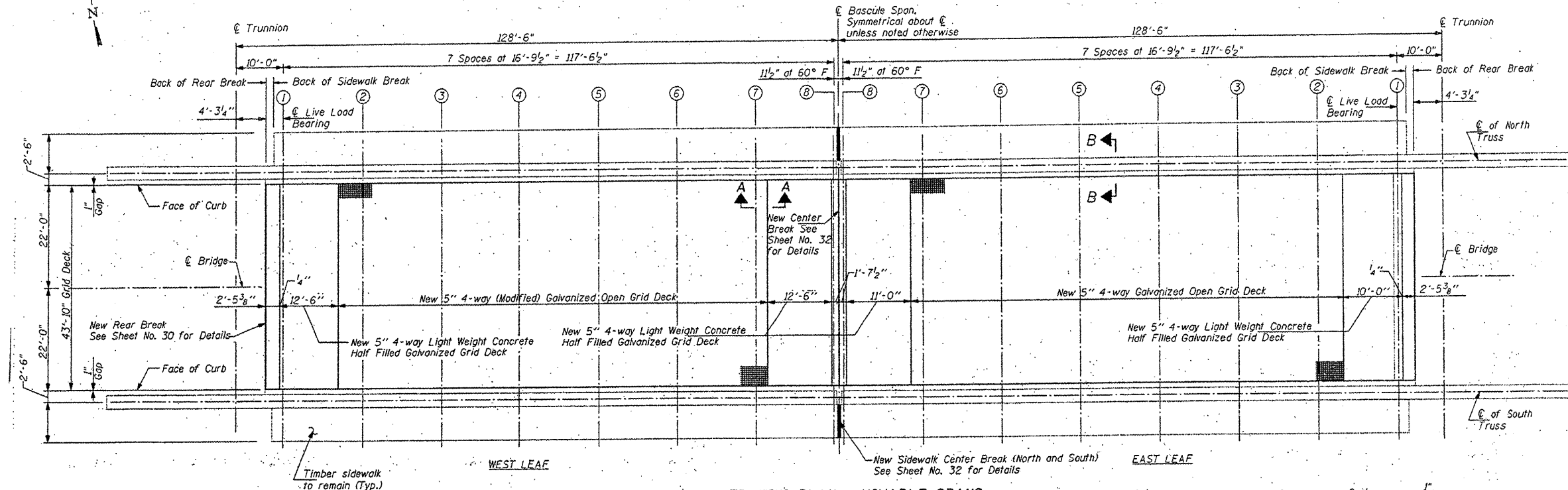
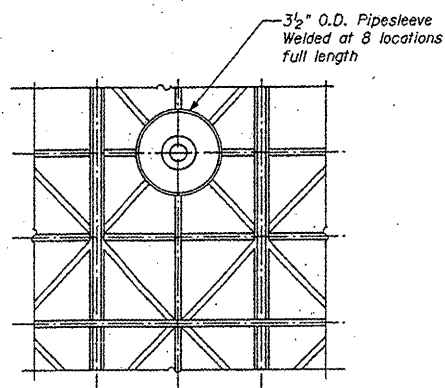


STATE OF ILLINOIS
DEPARTMENT OF TRANSPORTATION

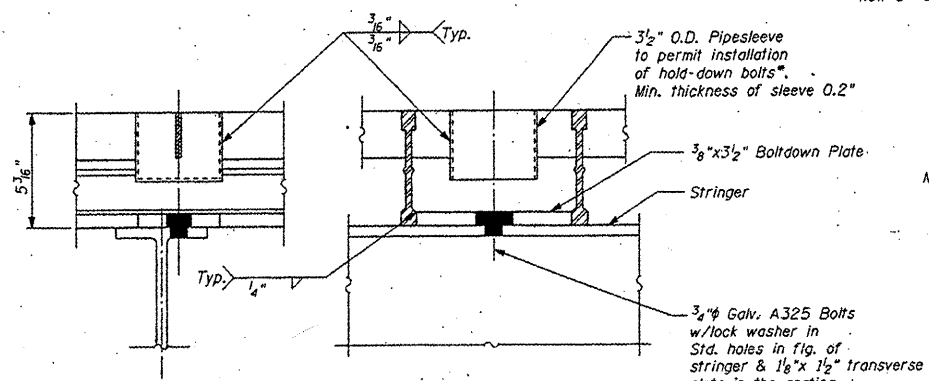


FRAMING PLAN - MOVABLE SPANS

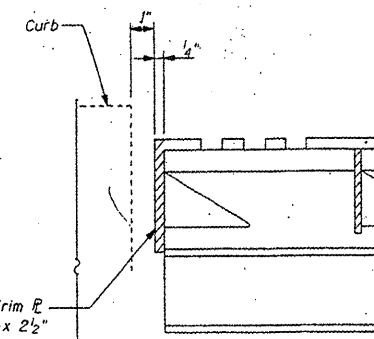


TYPICAL GRATING BOLTDOWN DETAIL

Cost of bolt-down plate and pipe sleeves is included in the cost of Furnishing and Erecting 5" Grid Deck



SECTION A-A



SECTION B-B

LEGEND:

- Existing Member to Remain
- New Member

Item	Unit	Quantity
5" Grid Deck	Sq. Ft.	10,666

BILL OF MATERIALS

ITEM	UNIT	QUANTITY
STEEL GRID DECK REPAIRS	L SUM	1

MOVABLE PART
ROADWAY GRATING PLAN & DETAILS
RUBY STREET (F.A.P. 112) OVER
DES PLAINES RIVER
WILL COUNTY
STRUCTURE NUMBER 099-9901

FILE NAME: c:\pwwork\pwwork\midjje\08148931\0111504-shs-plan.dgn	USER NAME: midjje	DESIGNED: RBB	REVISED:	STATE OF ILLINOIS DEPARTMENT OF TRANSPORTATION	RUBY STREET OVER DES PLAINES RIVER STEEL GRID DECK REPAIR		F.A.P. RTE. 112	SECTION M-BDR-1	COUNTY WILL	TOTAL SHEETS 66	SHEET NO. 40	
PLOT SCALE: 1/8" = 1'-0"	PLOT DATE: 6/23/2011	DRAWN:	REVISED:		SCALE:	SHEET NO. 1 OF 2 SHEETS	STA. TO STA.	ILLINOIS FED. AID PROJECT				
		CHECKED:	REVISED:									
		DATE:	REVISED:									