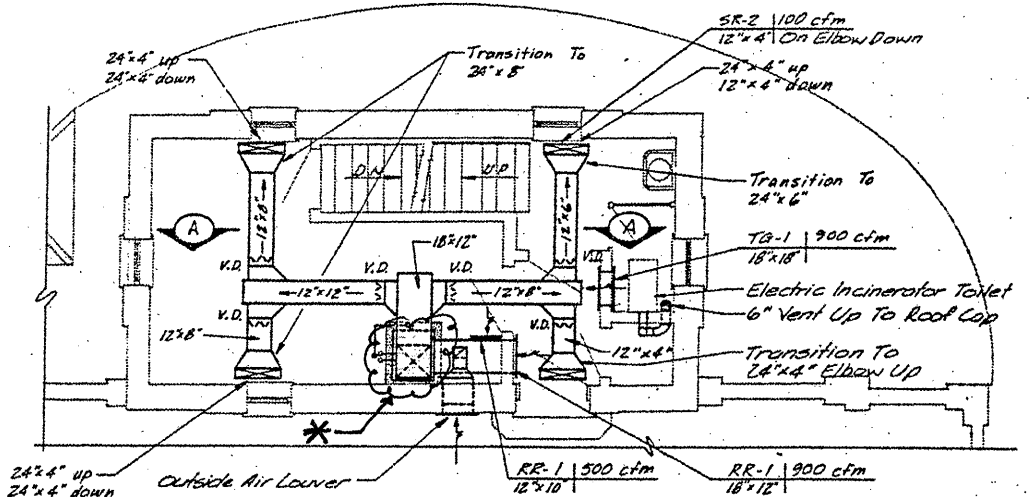
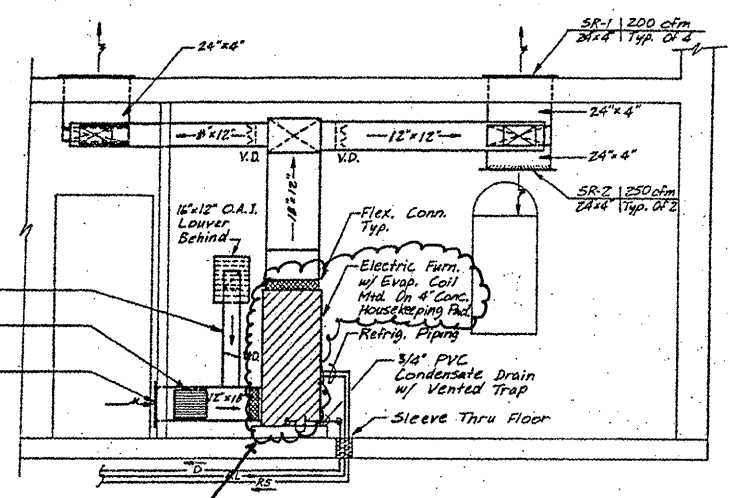


OPERATORS ROOM PLAN-2nd. FLOOR

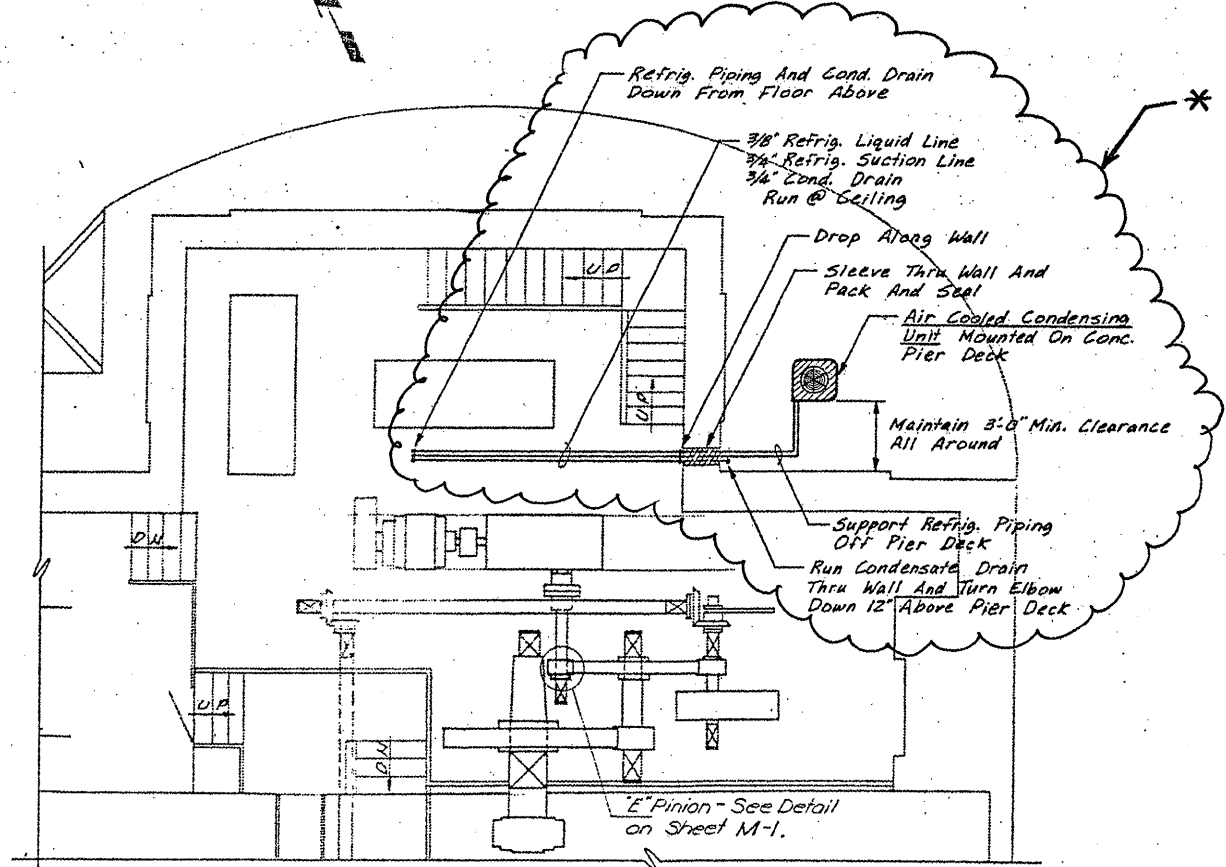


CONTROL ROOM PLAN-1st. FLOOR



SECTION A-A

OPERATORS HOUSE PLANS



NEAR-SIDE MACHINERY / PIER PLAN

\* FURNACE & AC UNITS TO BE REPLACED

**FOR INFORMATION ONLY**

FILE NAME =	USER NAME = midyja	DESIGNED -	REVISED -	<b>STATE OF ILLINOIS DEPARTMENT OF TRANSPORTATION</b>	<b>RUBY STREET OVER DES PLAINES RIVER HEATING, VENTILATION AND AIR CONDITIONING</b>	F.A.P. RTE.	SECTION	COUNTY	TOTAL SHEETS	SHEET NO.	
ct:\pwwork\pwwid\midyja\06148931\011150	sht-plan.dgn	DRAWN -	REVISED -			112	M-BDR-1	WILL	66	44	
	PLOT SCALE = 1/8" = 1'-0"	CHECKED -	REVISED -			CONTRACT NO. 62714					
	PLOT DATE = 5/25/2011	DATE -	REVISED -			ILLINOIS FED. AID PROJECT					