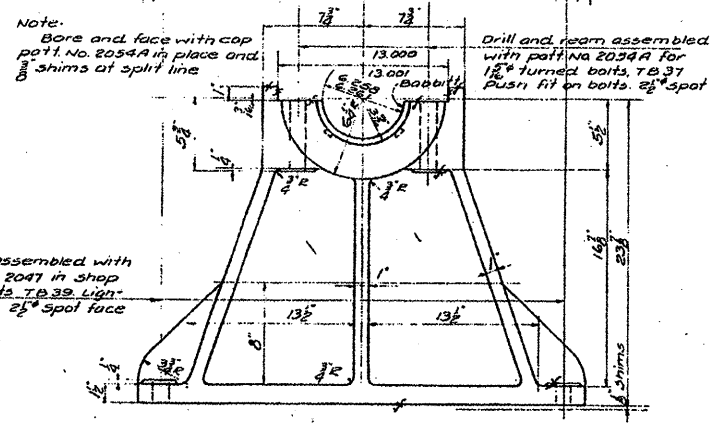
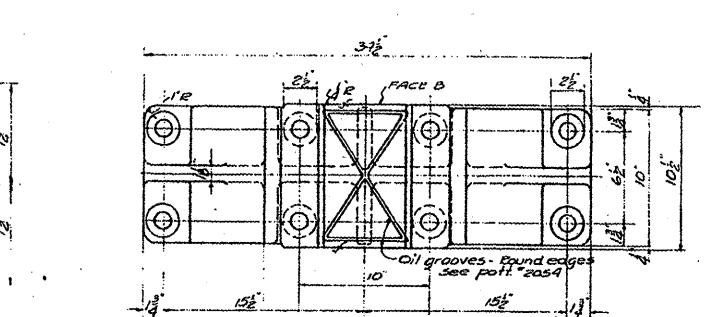
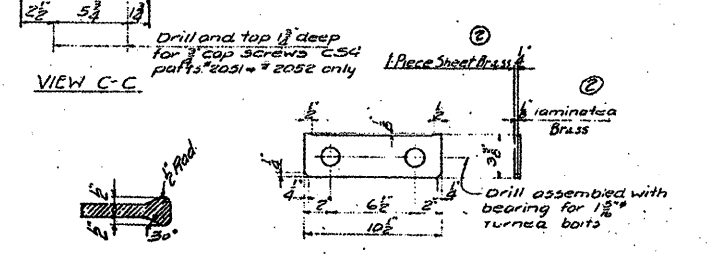


**UNION BEARING**  
PATT. NO. 2051-5077 RIGHT HAND  
PATT. NO. 2052-5077 LEFT HAND  
PATT. NO. 2053-5077  
CAST STEEL

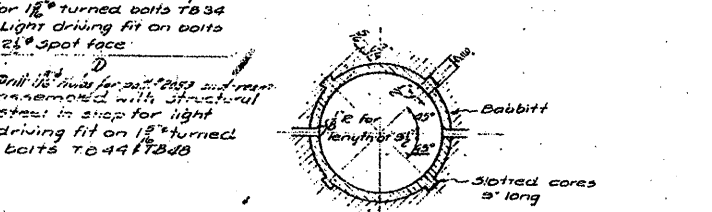


**BEARING**  
PATT. NO. 2056-5077  
CAST STEEL

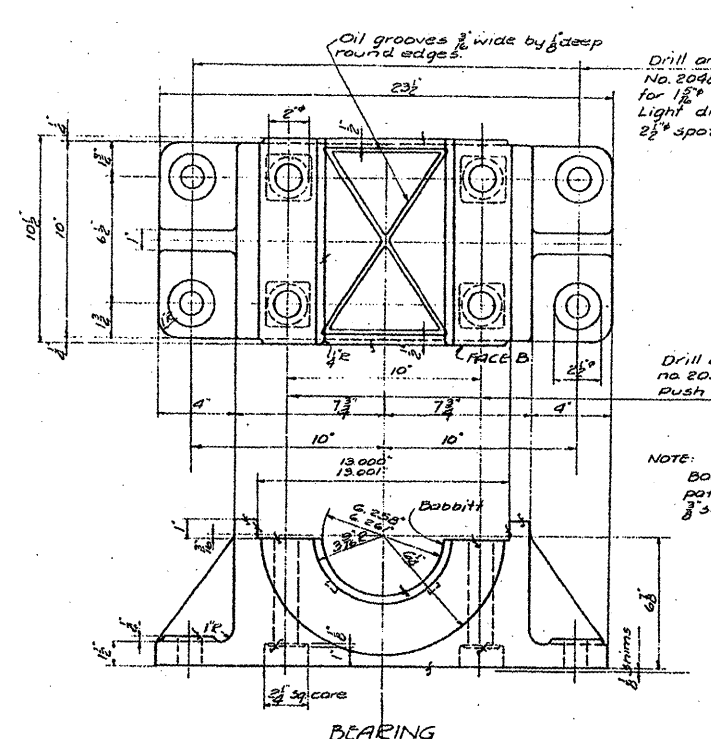


**SHIMS 53-5083**  
LAMINATED BRASS & SHEET BRASS

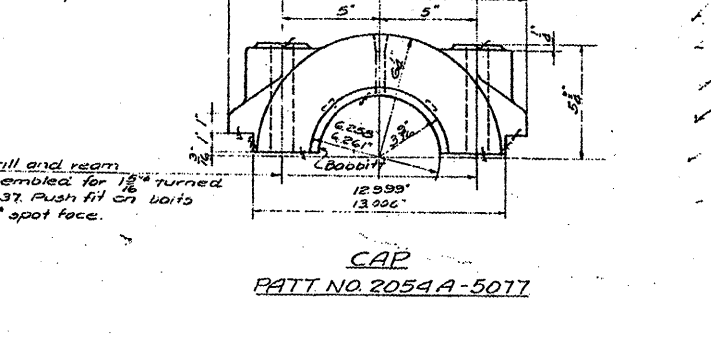
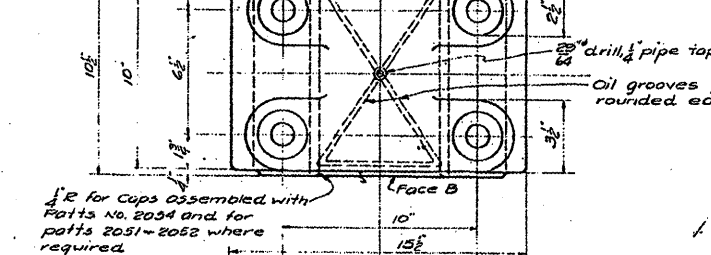
Shim assembled with part no. 2051, 2052, 2053, 2054 + 2056



**DETAIL OF BABBITT FOR**  
PATT. NO. 2051-2052-2053, 2054 & 2054A & 2056



**BEARING**  
PATT. NO. 2054-5077



**CAP**  
PATT. NO. 2054A-5077

- REQUIRED LIST**
- 2 UNION BEARINGS PATT. NO. 2051-5077
  - 2 " " " " NO. 2052-5077
  - 4 " " " " NO. 2053-5077
  - 2 BEARINGS " " NO. 2054-5077
  - 22 BEARING CAPS " " NO. 2054A-5077
  - 4 BEARING " " NO. 2056-5077
  - 44 SHIMS " " 53-5083

**FOR INFORMATION ONLY**

NOTES:  
Spec. for steel for castings A.S.T.M. A27-24 Std. 1930 Class B. Med. grade annealed.