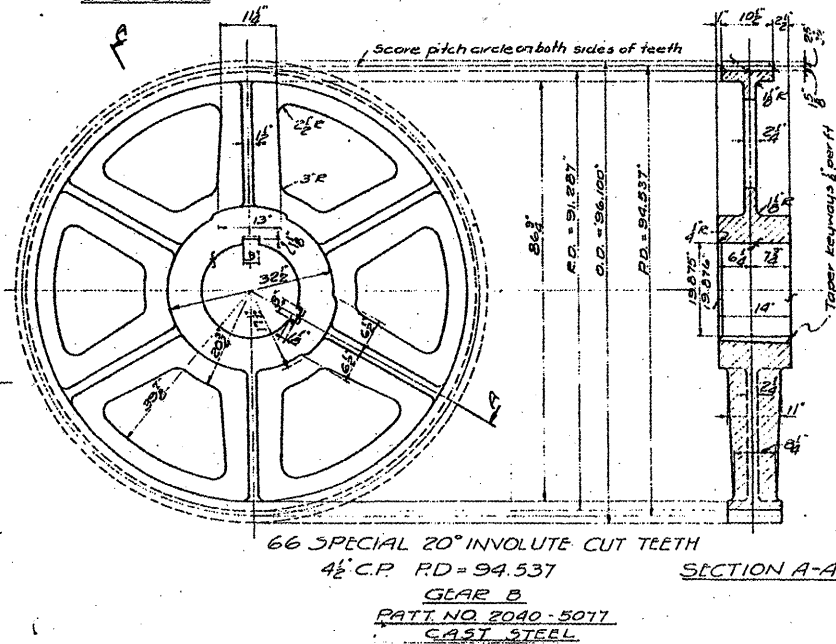
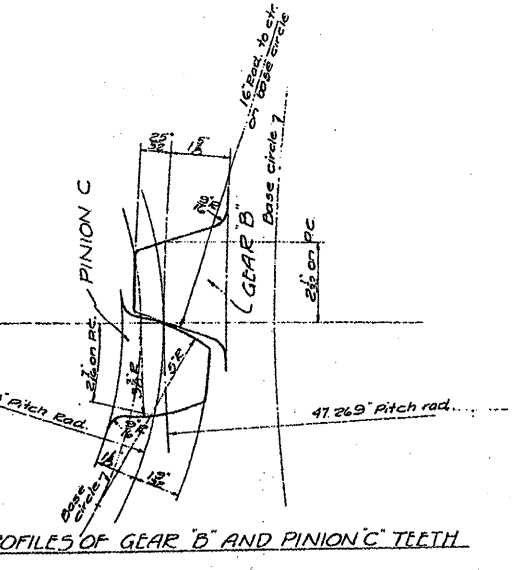


REQUIRED LIST

2	MACHINERY BEDS	PATT. NO. 2046-5076
2	"	" NO. 2047-5076
2	"	" NO. 2048-5076
2	"	" NO. 2049-5076
2	"	" NO. 2050-5076
4	GLARS "B"	" NO. 2040-5077



NOTES:
 Spec. for steel for castings A.S.T.M. A21-24, 3rd 1930 class B Mod. grade unannealed.
 COVER FINISHED SURFACES WITH WHITE LEAD AND TALLOW.

FOR INFORMATION ONLY

FILE NAME =	USER NAME = mdyje	DESIGNED -	REVISED -	STATE OF ILLINOIS DEPARTMENT OF TRANSPORTATION	RUBY STREET OVER DES PLAINES RIVER SN 099-9901	F.A.P. RTE.	SECTION	COUNTY	TOTAL SHEETS	SHEET NO.	
of:\pw\work\NPWIDOT\MIDYJA\0814893\VD11150	sh-t-plen.dgn	DRAWN -	REVISED -			112	N-BDR-1	WILL	66	57	
PLOT SCALE = 1/83.1218" / IN.		CHECKED -	REVISED -			SCALE:		SHEET NO. 10 OF 10 SHEETS		STA. TO STA.	
PLOT DATE = 7/1/2009		DATE	REVISED -			CONTRACT NO. 62714					
ILLINOIS FED. AID PROJECT											