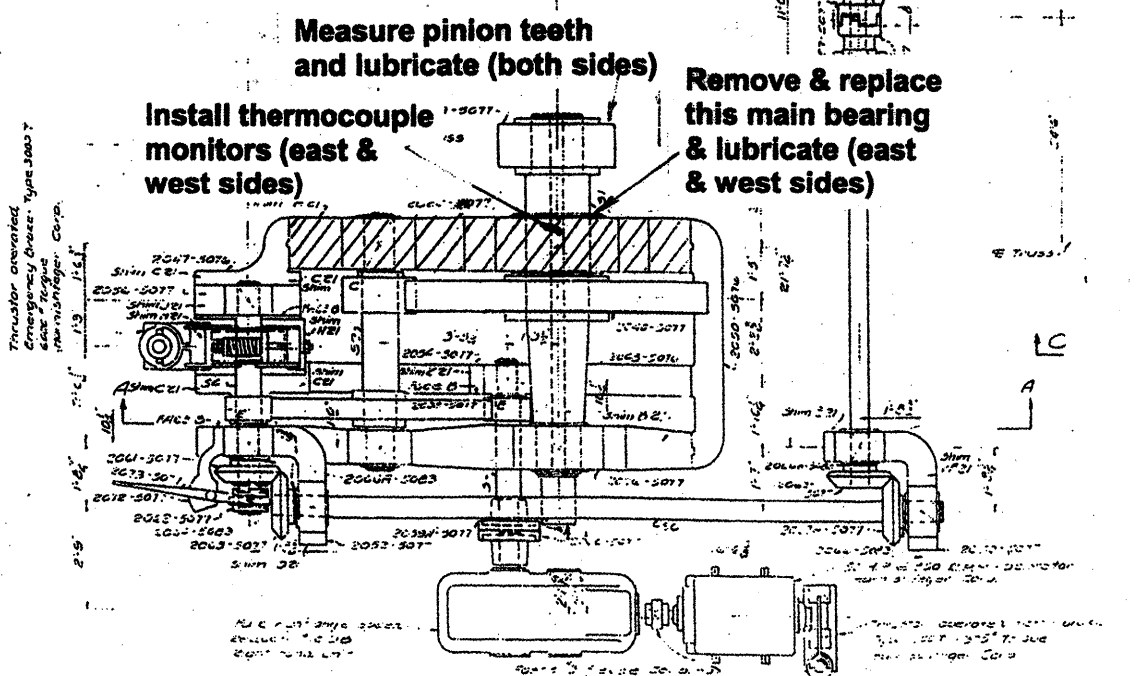
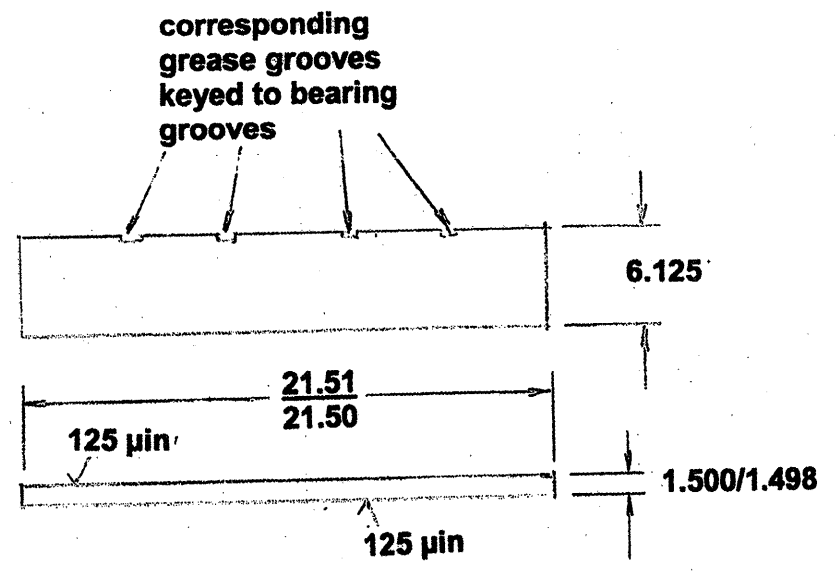


WEST LEAF
 Machinery for each leaf is symmetrical
 About this center line except as shown

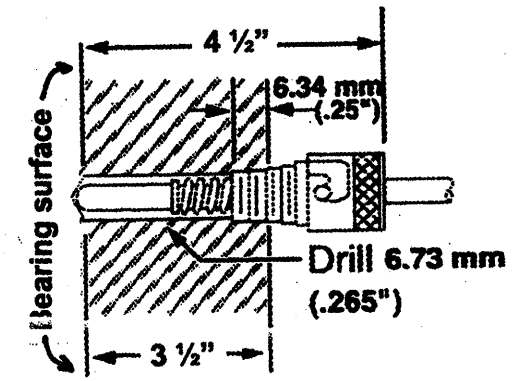


**MACHINERY DIAGRAM FOR WEST LEAF
 RUBY ST. BRIDGE**

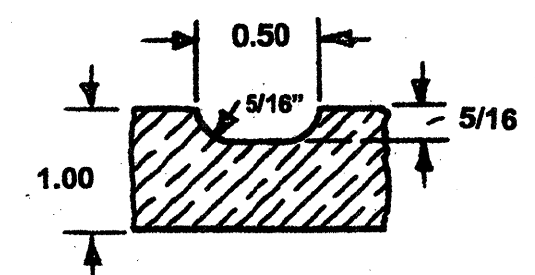


Brass Liner Bars

Material: CDA 36000
 Free-Cutting Brass 1/2 Hard
 Parallelism ±0.005



**THERMOCOUPLE DETAIL
 Type J or K thermocouple**



Grease Groove Detail

FILE NAME =	USER NAME = midyjo	DESIGNED - RTB	REVISED -	STATE OF ILLINOIS DEPARTMENT OF TRANSPORTATION	RUBY STREET OVER DES PLAINES RIVER BEARING RETROFIT	F.A.P. RTE. 112	SECTION M-BOR-1	COUNTY WILL	TOTAL SHEETS 66	SHEET NO. 60		
cr:\pwwork\pwwid\midyjo\148931\111504	-sh-plant.dgn	DRAWN	REVISED -			SCALE:	SHEET NO. 3 OF 3 SHEETS	STA.	TO STA.	CONTRACT NO. 62714		
	PLOT SCALE = 100.0000' / IN.	CHECKED	REVISED -			[ILLINOIS] FED. AID PROJECT						
	PLOT DATE = 7/21/2009	DATE	REVISED -									