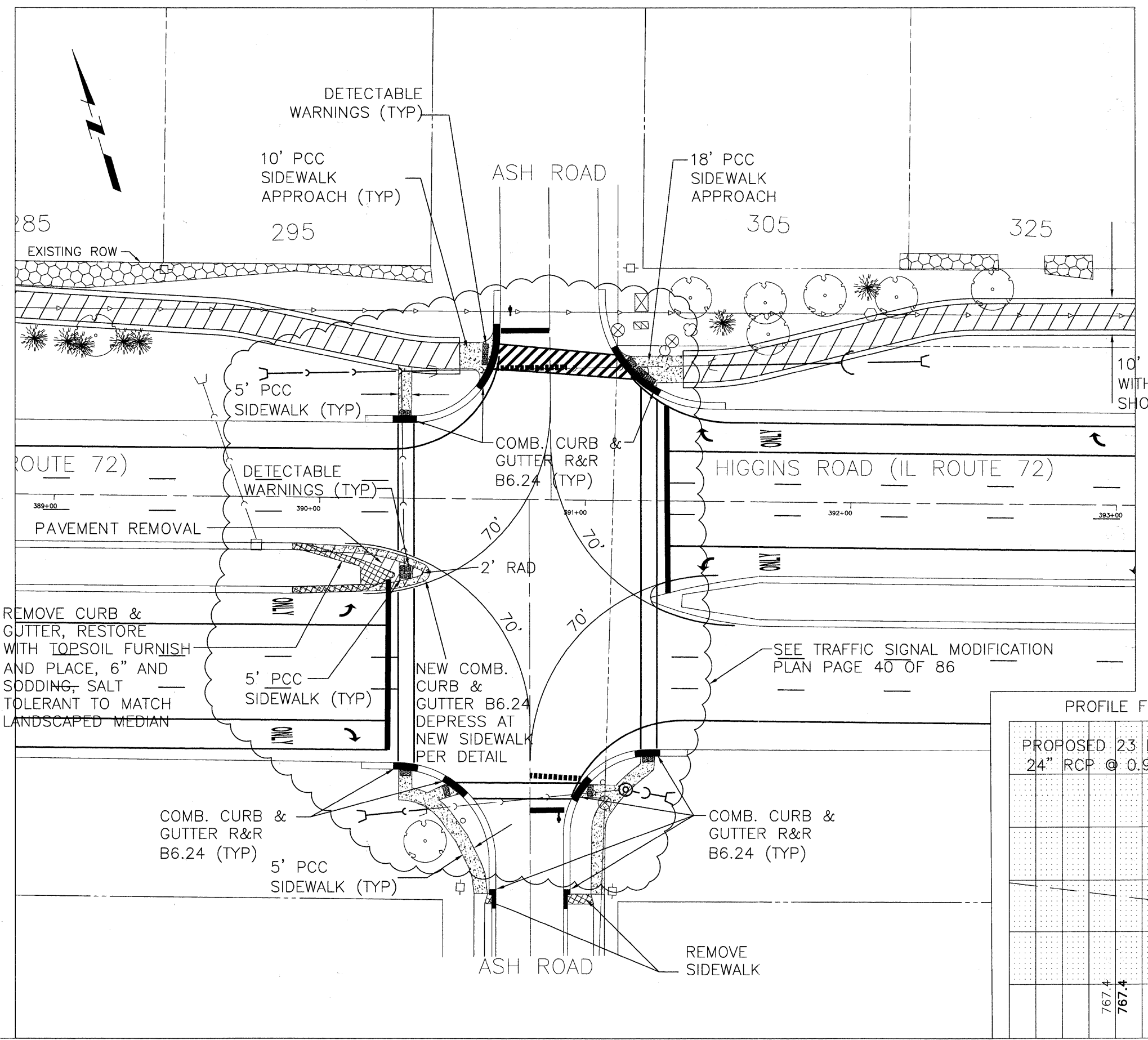


PLAN	SURVEYED	DATE
	ALIGNED	
	CHECKED	
	NO.	

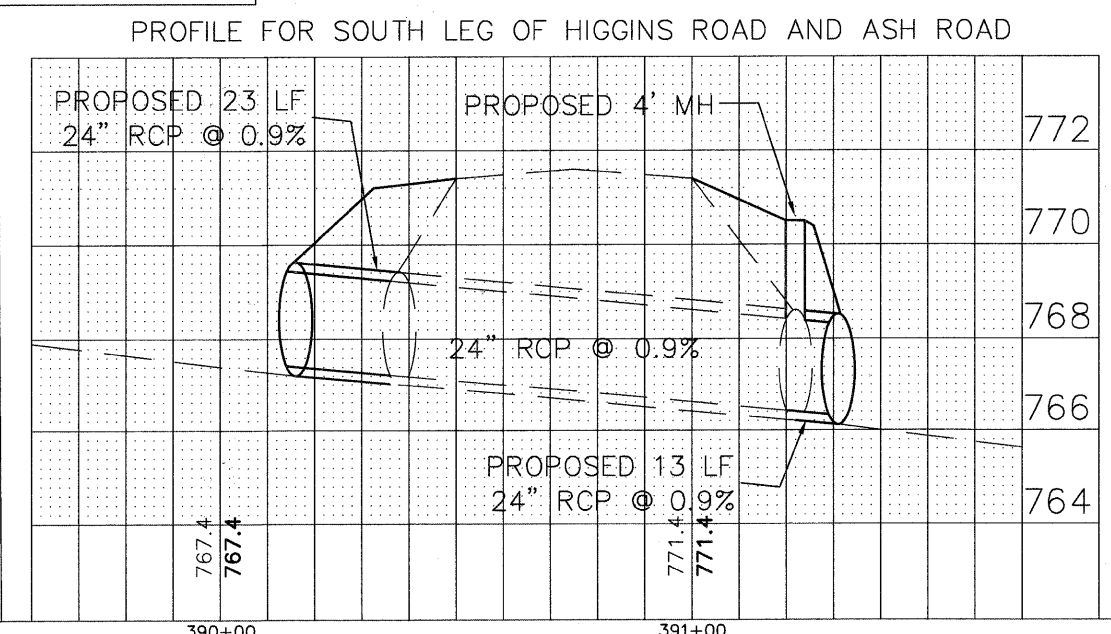
PROFILE	DATE	BY



ROUTE 72)

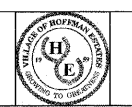
PAVEMENT REMOVAL

REMOVE CURB & GUTTER, RESTORE WITH TOPSOIL FURNISH AND PLACE, 6" AND SODDING, SALT TOLERANT TO MATCH LANDSCAPED MEDIAN



FILE NAME = Higgins Bike Path-Plan & Profile.dwg

DESIGNED -	REVISED -
DRAWN -	REVISED -
CHECKED -	REVISED -
DATE -	REVISED -



VILLAGE OF
HOFFMAN ESTATES
1900 Hassell Road, Hoffman Estates, IL 60169
Phone Number: 847 252-5800

Higgins Road Bicycle and Pedestrian Project
Plan and Profile - Higgins Road
SCALE: 1" = 20' SHEET NO. 7 OF 11 SHEETS STA. 390+00 TO STA. 392+00

F.A.P. RTE.	SECTION	COUNTY	TOTAL SHEETS	SHEET NO.
341	08-00080-00-BT	Cook	86	13
CONTRACT NO. 63233			ILLINOIS FED. AID PROJECT CMM 9003(243)	