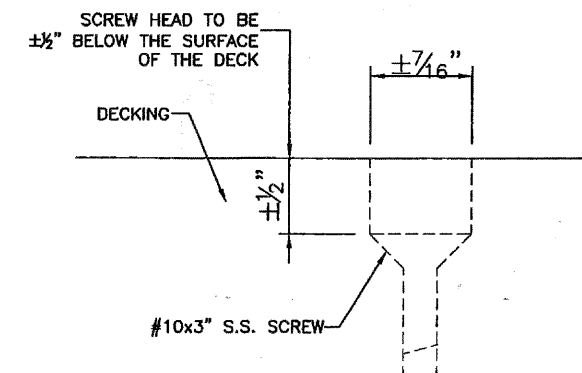


① GLULAM DECKING  
SCALE: N.T.S.



② DECKING COUNTERSINK  
SCALE: N.T.S.

THIS SHEET SIZE IS 22\"/>

	ENGINEER:	LICENSED:	REVISIONS			PROJECT DESCRIPTION		HIGGINS BIKE PATH PROJECT			
			REV	DATE	DESCRIPTION	TIMBER PEDESTRIAN BRIDGE		HOFFMAN ESTATES, IL			
						DESIGNED LOADING		DETAILS -			
						85-PSF OR 5 TON GVW (L/360 DEFLECTION)		DECKING AND COUNTERSINK			
						APPROVED BY:	DATE APPROVED:	DATE	DRAWN BY:	PROJECT NUMBER	SHEET NUMBER
								4/6/11	D. MATTHEWS	209031	60 of 86 502