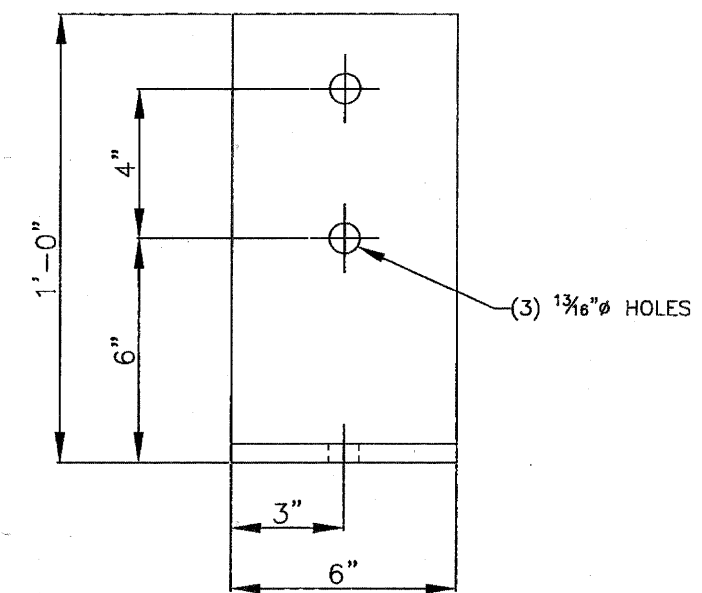
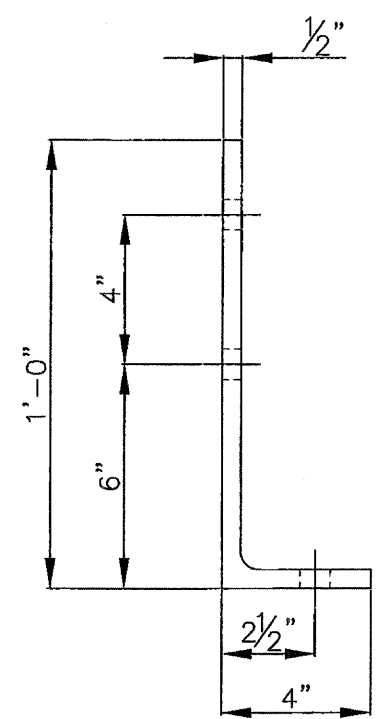
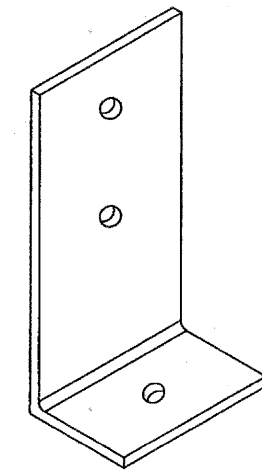
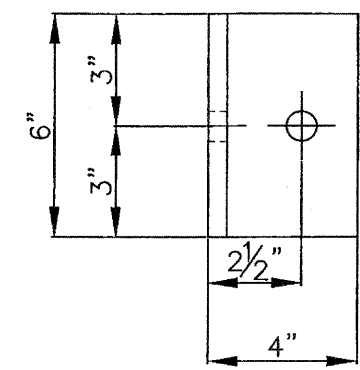


D-9573



D-7273

1 DETAILS - HARDWARE
SCALE: N.T.S.

THIS SHEET SIZE IS 22"x34" ANYTHING SMALLER IS A REDUCTION

ENGINEER:	LICENSED:	REVISIONS			PROJECT DESCRIPTION		HIGGINS BIKE PATH PROJECT	
		REV	DATE	DESCRIPTION	TIMBER PEDESTRIAN BRIDGE		HOFFMAN ESTATES, IL	
					DESIGNED LOADING		DETAILS - HARDWARE	
					85-PSF OR 5 TON GVW (L/360 DEFLECTION)		DATE	DRAWN BY:
					APPROVED BY:	DATE APPROVED:	4/6/11	D. MATTHEWS
					PROJECT NUMBER	SHEET NUMBER:	64 of 86	
					209031	506		