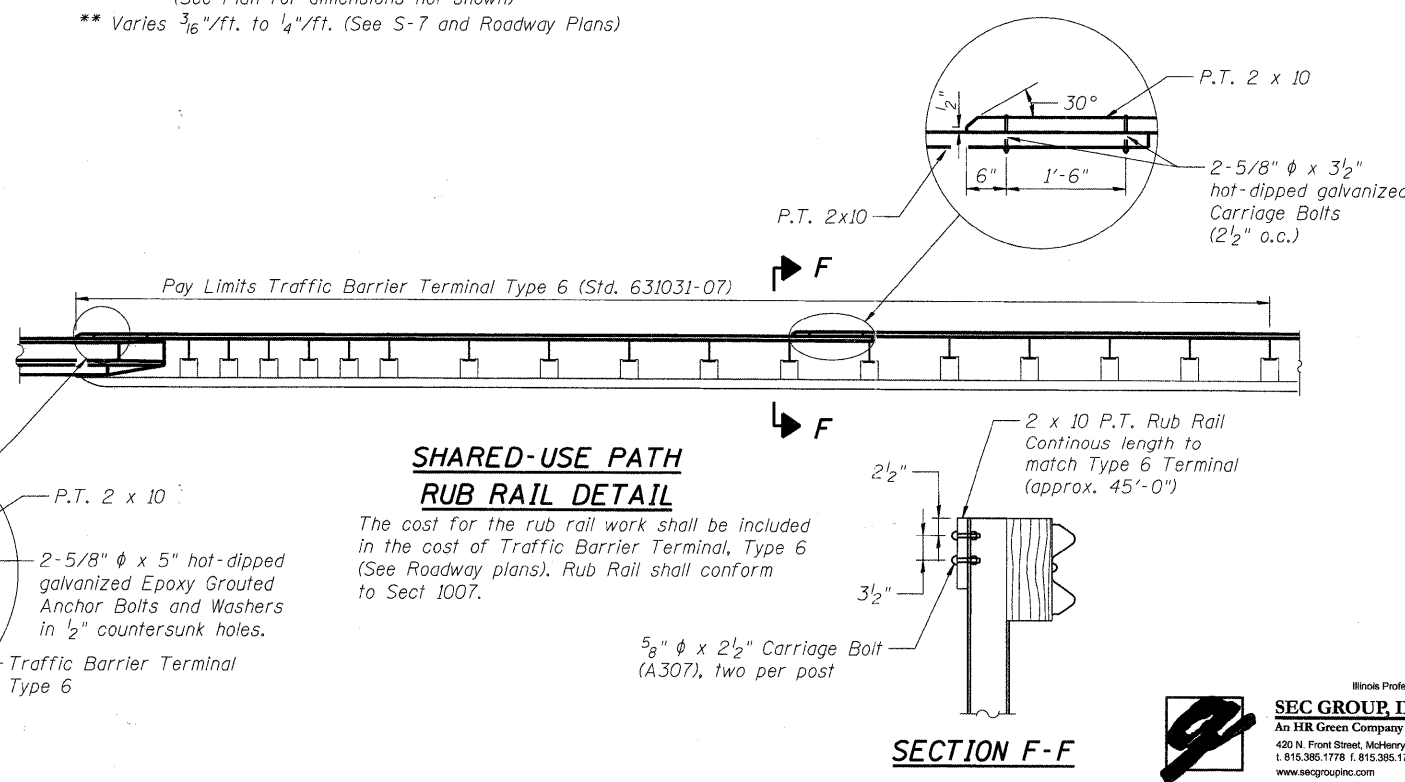
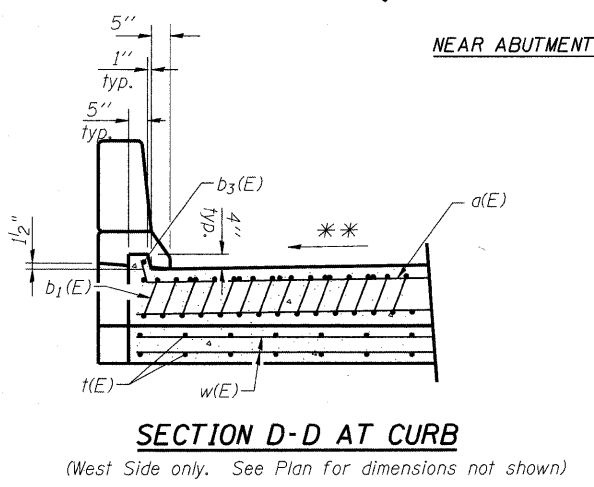
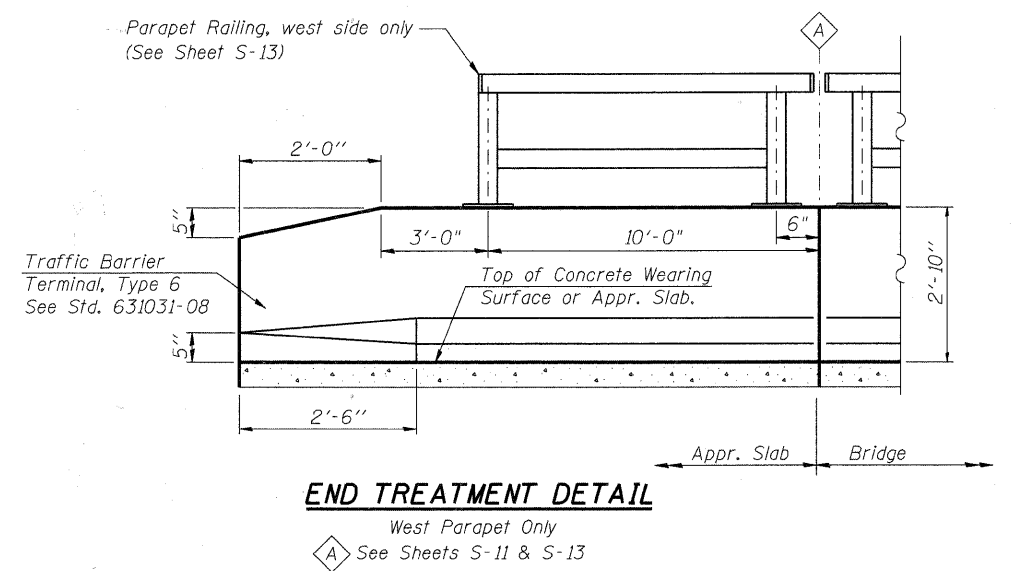
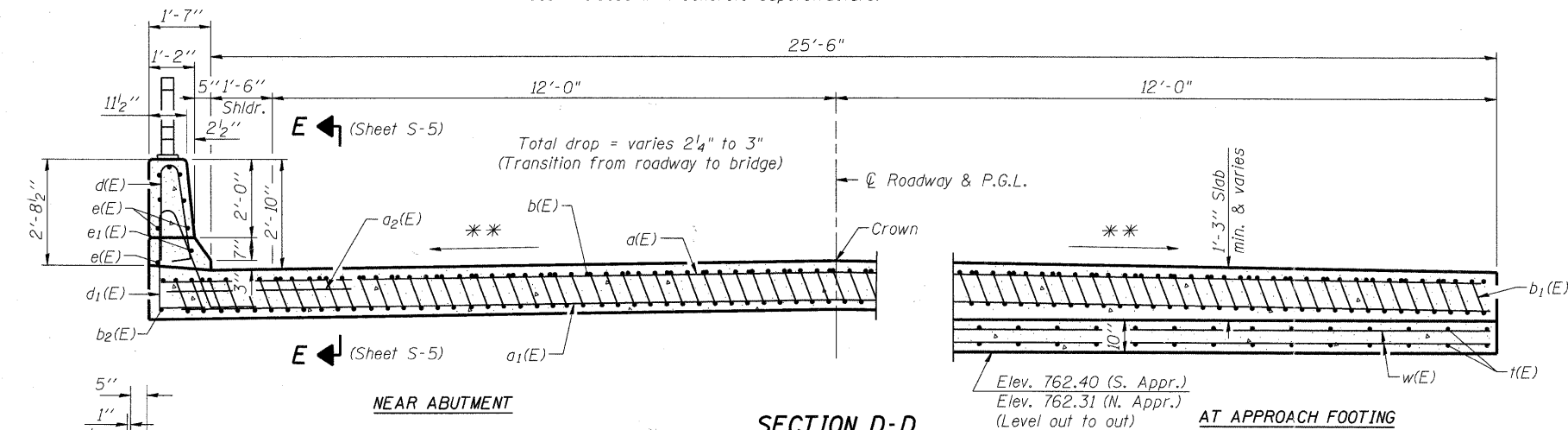
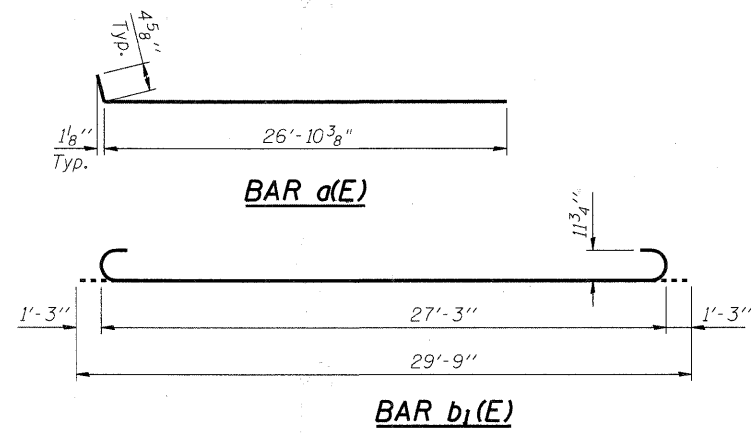
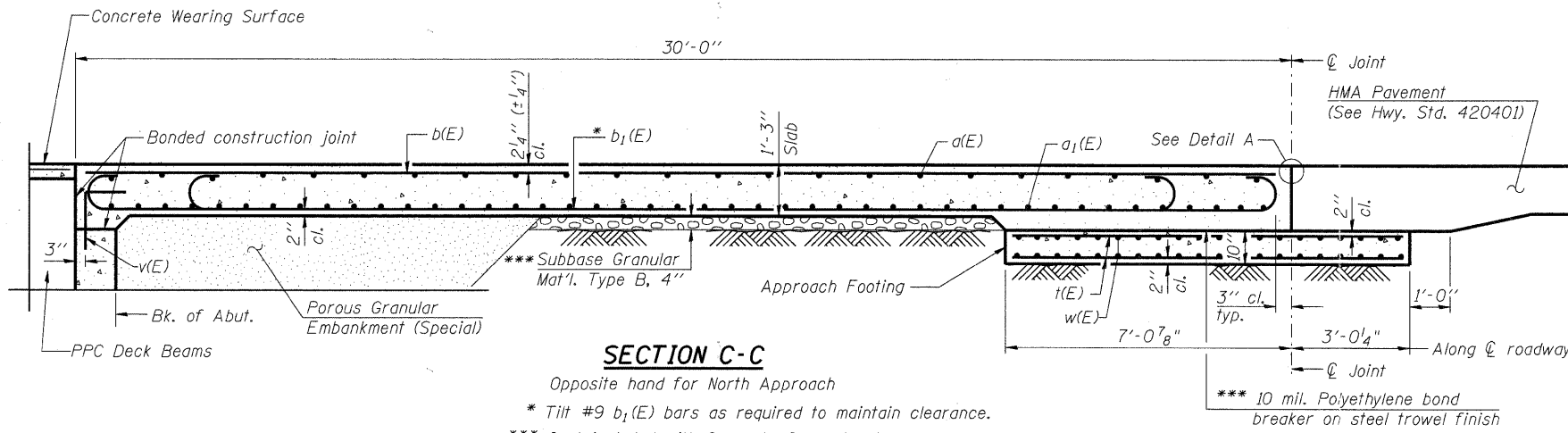


Notes:

See sheet S-5 for Detail A and Plan.
 Approach slab and parapet concrete shall be paid for as Concrete Superstructure.
 Approach footing concrete shall be paid for as Concrete Structures.
 Reinforcement shall be paid for as Reinforcement Bars, Epoxy Coated.
 For v(E) bar details, see sheet S-14 & 15.
 The approach footing maximum applied service bearing pressure (Qmax) = 2.0 ksf.
 Cost of excavation for approach footing included with Concrete Structures.
 For Porous Granular Embankment (Special) and drainage treatment details, see Sheet S-2.
 For additional parapet details, see Sheet S-11 & 12.

**TWO APPROACHES
 BILL OF MATERIAL**

Bar	No.	Size	Length	Shape	
a(E)	50	#4	27'-4"	▬	
a ₁ (E)	92	#5	27'-0"	▬	
a ₂ (E)	24	#6	6'-6"	▬	
b(E)	46	#4	29'-8"	▬	
b ₁ (E)	128	#9	29'-9"	▬	
b ₂ (E)	2	#4	14'-8"	▬	
b ₃ (E)	2	#4	14'-9"	▬	
d(E)	34	#5	5'-7"	▬	
d ₁ (E)	34	#5	5'-11"	▬	
e(E)	16	#4	14'-8"	▬	
e ₁ (E)	2	#8	14'-8"	▬	
t(E)	108	#4	9'-9"	▬	
w(E)	80	#5	26'-4"	▬	
Concrete Superstructure				Cu. Yd.	86
Concrete Structures				Cu. Yd.	15.0
Bridge Deck Grooving				Sq. Yd.	157
Reinforcement Bars, Epoxy Coated				Pound	21,140



**BRIDGE APPROACH SLAB DETAILS
 WINN ROAD
 OVER NIPPERSINK CREEK
 F.A.U. ROUTE 0157
 SECTION NO. 07-00012-00-BR
 MCHENRY COUNTY
 STATION 30+56.78
 STRUCTURE NO. 056-6123**

SHEET NO. S-6 S-20 SHEETS	F.A.U. RTE.	SECTION	COUNTY	TOTAL SHEETS	SHEET NO.
	0157	07-00012-00-BR	MCHENRY	41	18
FED. ROAD DIST. NO. 1 ILLINOIS			FED. AID PROJECT BRM-8003 (921)		
CONTRACT NO. 63544				DATE: 6/23/11	

DESIGNED	JMW
CHECKED	RGD
DRAWN	RCB
CHECKED	RGD

Illinois Professional Design Firm # 184-000108
SEC GROUP, INC.
 An HR Green Company
 420 N. Front Street, McHenry, IL 60050
 T. 815.385.1778 F. 815.385.1781
 www.secgroupinc.com
 • McHenry, IL • Yorkville, IL • New Lenox, IL • Chicago, IL