

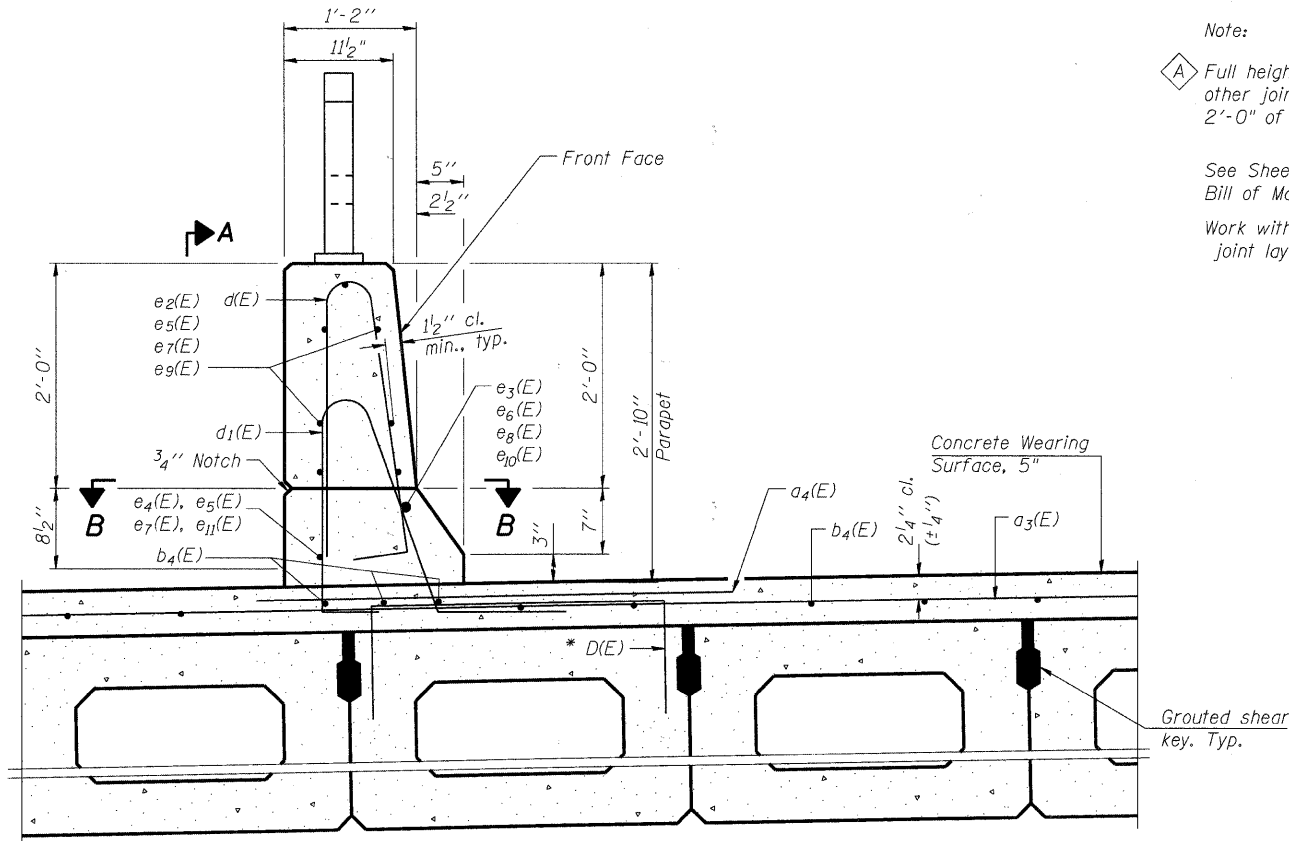
**ELEVATION OF WEST PARAPET**

Note:

A Full height parapet joint (see detail below). At other joint locations use the filler shown in the top 2'-0" of the parapet joints (same detail).

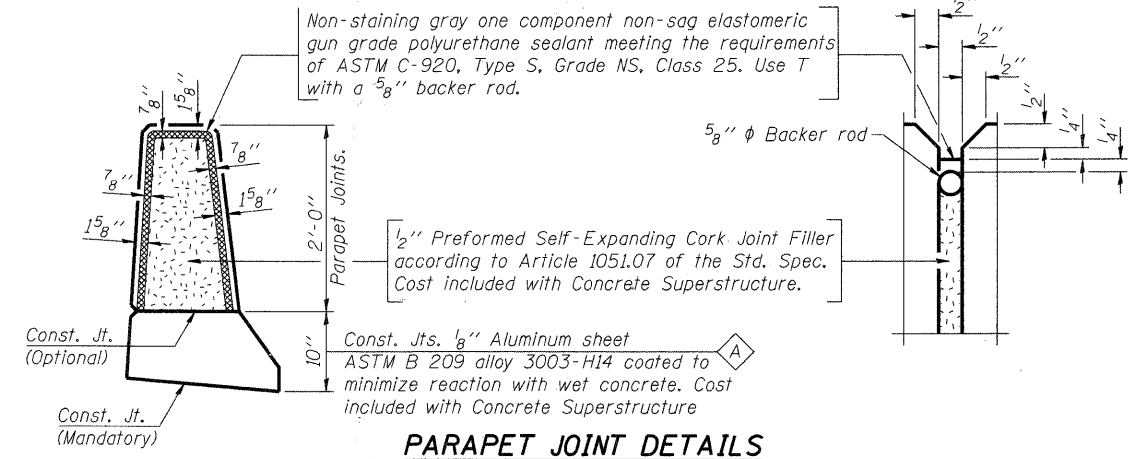
See Sheet S-12 for details of reinforcement and Bill of Material.

Work with Sheet S-5, S-6 and S-8 for parapet joint layout.



**SECTION THRU WEST PARAPET (LOOKING NORTH)**

\* Place #4 D(E) bars at 9" cts. in beam as shown, and other locations as indicated in cross section on Sheet S-8. D(E) bar included in cost of beam.



**PARAPET JOINT DETAILS**

**WEST PARAPET ELEVATION  
WINN ROAD  
OVER NIPPERSINK CREEK  
F.A.U. ROUTE 0157  
SECTION NO. 07-00012-00-BR  
MCHENRY COUNTY  
STATION 30+56.78  
STRUCTURE NO. 056-6123**

DATE: 6/23/11

DESIGNED	JMW
CHECKED	RGD
DRAWN	RCB
CHECKED	RGD

Illinois Professional Design Firm # 184-000108  
**SEC GROUP, INC.**  
 An HR Green Company  
 420 N. Front Street, McHenry, IL 60050  
 T 815.385.1778 F 815.385.1781  
 www.segroupinc.com  
 • McHenry, IL • Yorkville, IL • New Lenox, IL • Chicago, IL

SHEET NO. S-11	F.A.U. RTE.	SECTION	COUNTY	TOTAL SHEETS	SHEET NO.
	0157	07-00012-00-BR	MCHENRY	41	23
S-20 SHEETS			CONTRACT NO. 63544		
FED. ROAD DIST. NO. 1			ILLINOIS FED. AID PROJECT		BRM-8003 (921)

FILE NAME: 090212.ecad01.dgn  
 PLOT DRIVER: pdfplot  
 PEN TABLE: standard-trans.tbl