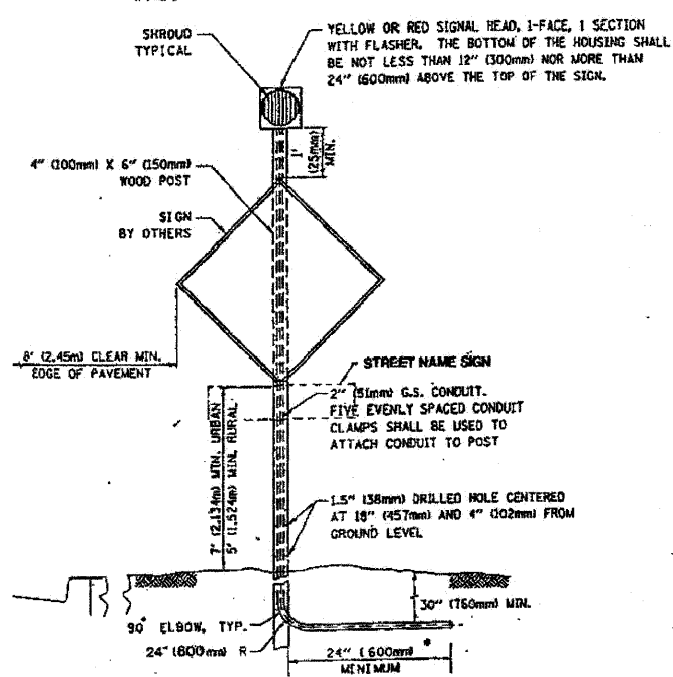


EMC - SUMMARY OF QUANTITIES			
ITEM	DESCRIPTION	UNIT	QUANTITY
GC12	CONDUIT, GALVANIZED STEEL, IN GROUND, 3/4 TO 2 1/2 INCH	FEET	550
GE12	ELECTRIC SERVICE DISCONNECT, 2 OR 3 WIRE, MOUNTED ON WOOD POLE	EACH	-
GH03	HANDHOLE HEAVY DUTY	EACH	2
TE02	ELECTRIC CABLE NO. 14 3/C	FEET	622
TE05	GROUND CABLE NO. 6 1/C	FEET	55
TFB1	FLASHING BEACON, POST MOUNTED	EACH	4

FLASHER SIGNAL LEGEND

	PROPOSED	EXISTING
SERVICE INSTALLATION	◆	□
12" SIGNAL HEAD (LED)	→	△
WOOD POST, 4" x 6"	⊠	⊠ "E"
CONDUIT IN GROUND OR UNIT DUCT IN TRENCH	---	---
HANDHOLE	▣	▣
HEAVY-DUTY HANDHOLE	⊞	⊞ "E"
ELECTRICAL POLE	●	○
GROUND ROD	⊕	⊕
SIGNAL FACE WITH BACKPLATE	⊞	⊞
W2-1 OR W2-2 WARNING SIGN W/ STREET PANEL	⊞	⊞

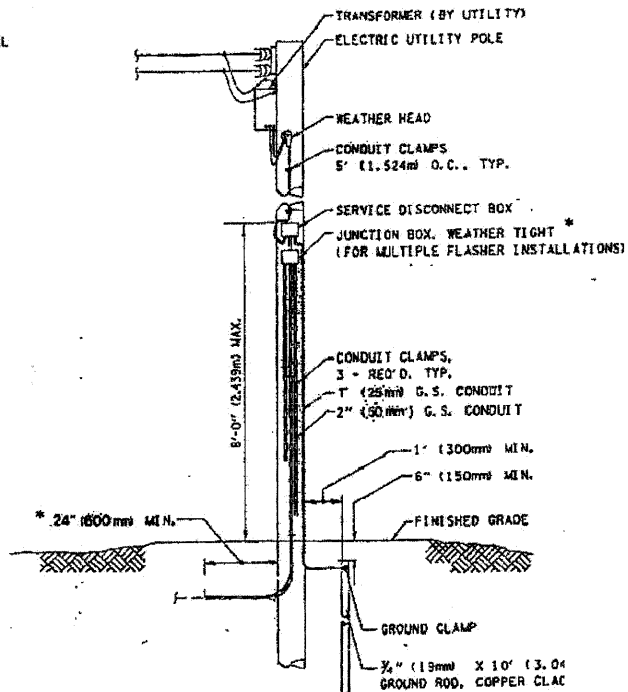


RED /YELLOW POST MOUNTED FLASHER DETAIL

EXISTING

NOTE FOR FLASHER(S):

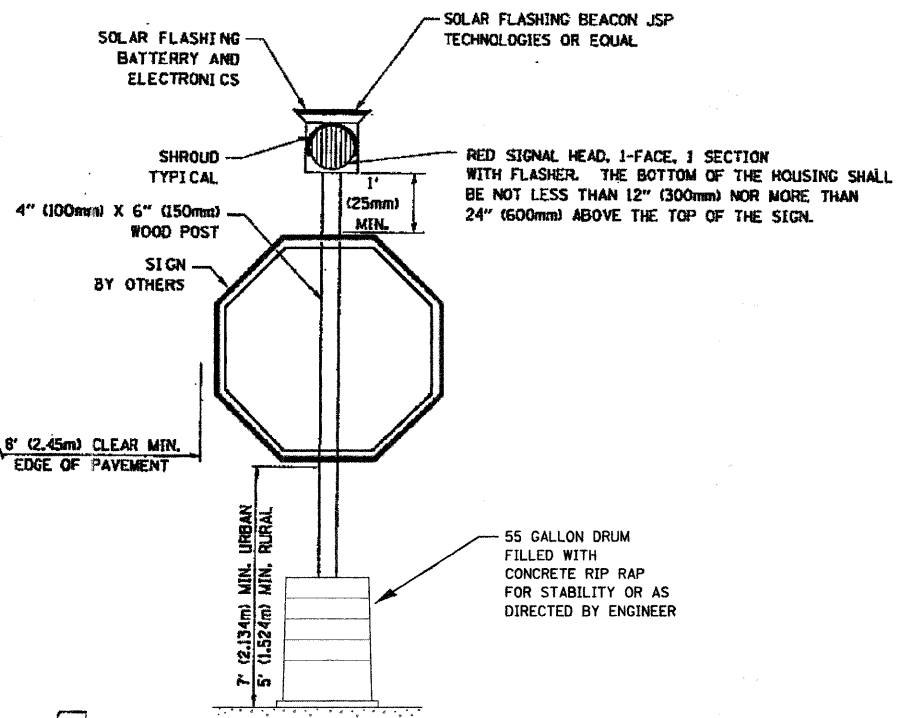
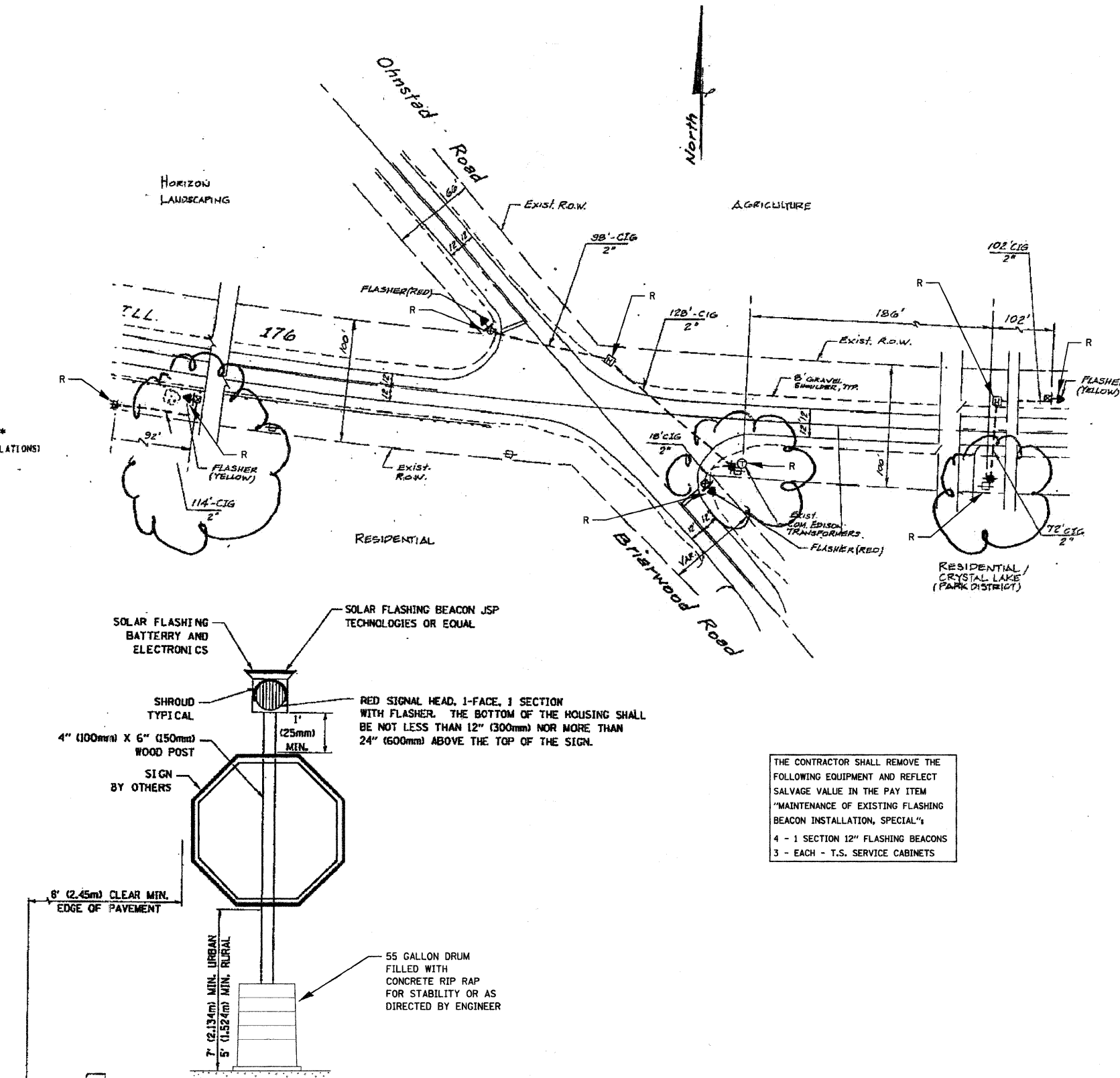
PRIOR TO INITIATING OPERATION OF ANY FLASHER LOCATION, IT SHALL BE THE RESPONSIBILITY OF THE "ELECTRICAL MAINTENANCE CONTRACTOR" TO CONTACT, 48 HRS IN ADVANCE, THE "AREA TRAFFIC SIGNAL MAINTENANCE AND OPERATION ENGINEER" AT (847) 705-4139, ILLINOIS DEPARTMENT OF TRANSPORTATION.



POLE MOUNTED SERVICE DISTRIBUTION DETAIL (3-SERVICE LINES)

* F APPLICABLE

EXISTING



DRUM MOUNTED SOLAR FLASHER DETAIL

TEMPORARY

THE CONTRACTOR SHALL REMOVE THE FOLLOWING EQUIPMENT AND REFLECT SALVAGE VALUE IN THE PAY ITEM "MAINTENANCE OF EXISTING FLASHING BEACON INSTALLATION, SPECIAL'S"
 4 - 1 SECTION 12" FLASHING BEACONS
 3 - EACH - T.S. SERVICE CABINETS

FILE NAME =	USER NAME = #USER#	DESIGNED - JS	REVISED -
P:\2010\100174\cad\phase 2\deg\100174-sh-Flash beacon.dgn		DRAWN - BF	REVISED -
PLOT SCALE = #SCALE#		CHECKED - JS	REVISED -
PLOT DATE = 7/1/2011		DATE - 10-20-10	REVISED -

**STATE OF ILLINOIS
DEPARTMENT OF TRANSPORTATION**



**EXISTING AND TEMPORARY
GROUND MOUNTED FLASHING BEACONS.**

SCALE: SHEET NO. OF SHEETS STA. TO STA.

F.A.P. RTE. 335	SECTION 11-00114-00-CH	COUNTY McHENRY	TOTAL SHEETS 56	SHEET NO. 31
CONTRACT NO. 63551			ILLINOIS FED. AID PROJECT	