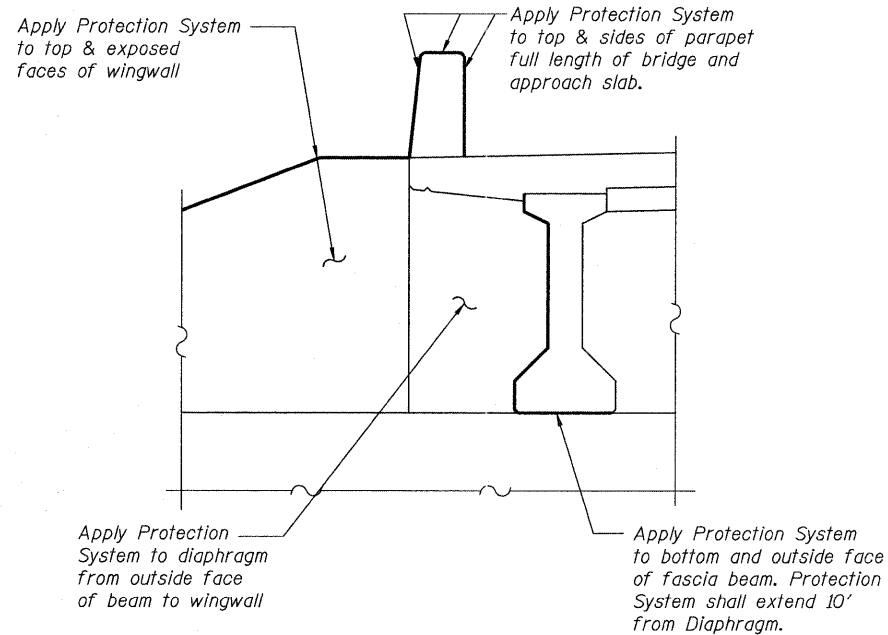


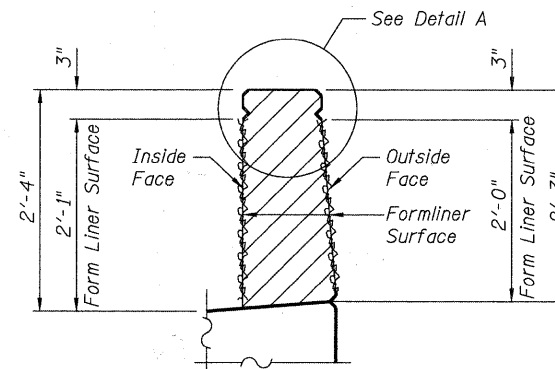
Architectural Lettering Notes: Depth of Architectural Lettering is  $\frac{3}{4}$ ".  
 Lettering, symbols and colors are standards of Village of Lombard.  
 Colors will be applied over integrally colored concrete. Any required pretreatment of the areas to be colored necessary to achieve the desired final color is included in the work.

**PARAPET ELEVATION**

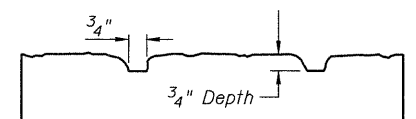
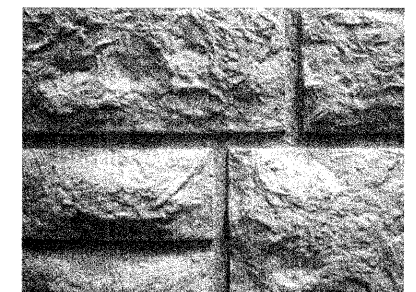
(Outside Face Shown, Typ. each Parapet)



**ANTI-GRAFITTI PROTECTION SYSTEM**



**PARAPET FORM LINER**



**FORM LINER TEXTURE DETAIL**

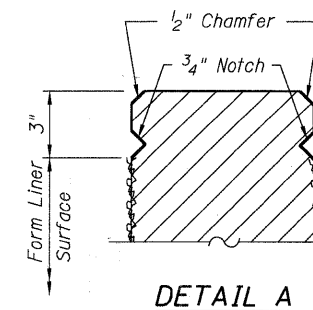
See Special Provisions

Note:  
 Form Liner Textured Surface (Special) to be used on inside and outside faces of Parapet, except in areas of Architectural Lettering. Utilize Fitzgerald Formliners form liner pattern #17027 or equivalent. The depth of relief of the Form Liner Textured Surface is limited to  $\frac{3}{4}$ ". The relief should not compromise the reinforcement clearance in the Parapet.

**BILL OF MATERIAL**

Item	Unit	Total
Architectural Lettering	L. Sum	0.5

Integrally Colored Concrete, paid for as Concrete Superstructure, Special



**DETAIL A**