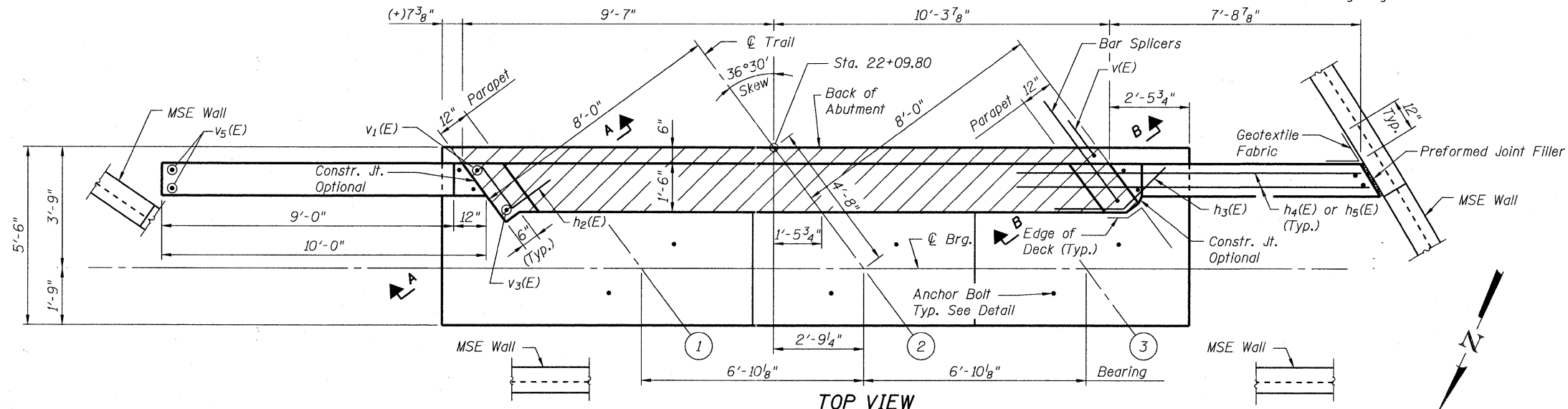
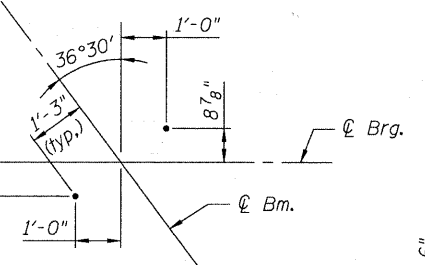


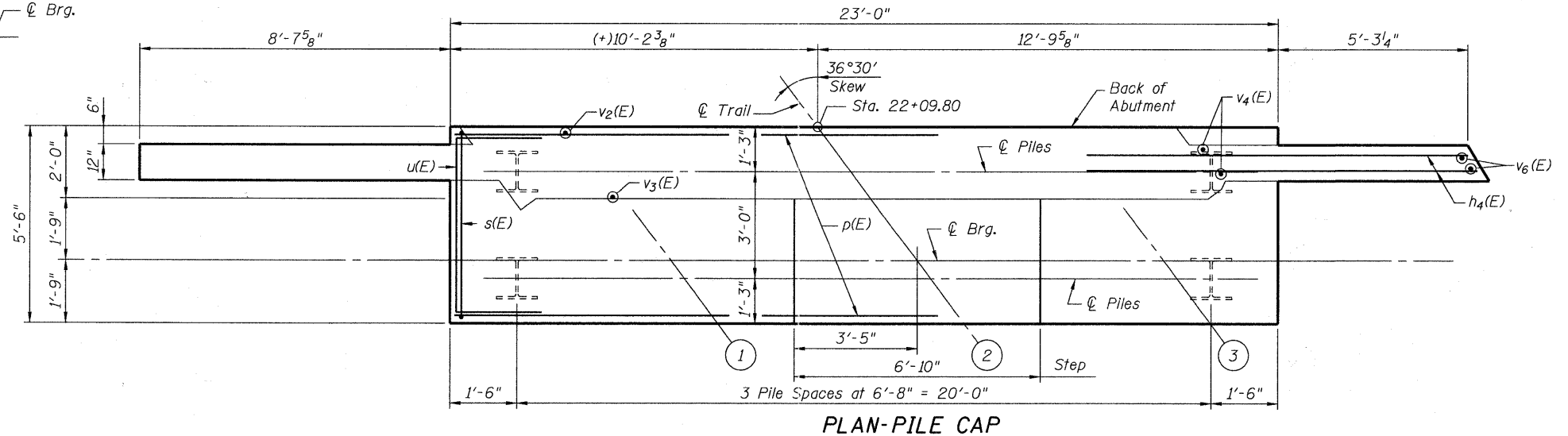
ELEVATION
Looking East



TOP VIEW



ANCHOR BOLT LOCATION



PLAN-PILE CAP

Notes:
 Hatched area to be poured after superstructure false work has been removed. Quantity of concrete included with Concrete Superstructure.
 Space reinforcement in cap to miss anchor bolts. Pour steps monolithically with cap.
 Contractor Shall coordinate abutment construction with construction of MSE retaining wall.
 For MSE wall see sheet 28 of 37.

PILE DATA

Type: HP 12x63 with pile shoes
 Nominal Required Bearing: 360 kips
 Factored Resistance Available: 180 kips
 Est. Length: 67 ft.
 No. Production Piles: 7
 No. Test Piles: 1

FILE NAME = s:\756-004.lombard - gwt bridges phase 1\cadd sheets\structural\IPRR\0223122-021-EAST ABUTMENT.dgn

Bollinger, Lach & Associates, Inc.
 ITASCA, ILLINOIS

USER NAME = gonzalo
 PLOT SCALE =
 PLOT DATE = 7/26/2011

DESIGNED SRT
 CHECKED JJI
 DRAWN GM
 CHECKED JJI

REVISED -
 REVISED -
 REVISED -
 REVISED -

**STATE OF ILLINOIS
 GREAT WESTERN TRAIL
 UNION PACIFIC RAILROAD**

**EAST ABUTMENT
 STRUCTURE NO. 022-3122**
 SHEET NO. 21 OF 37 SHEETS

F.A. RTE.	SECTION	COUNTY	TOTAL SHEETS	SHEET NO.
	06-00151-00-BR	DuPAGE	201	101
CONTRACT NO. 63568			ILLINOIS FED. AID PROJECT	