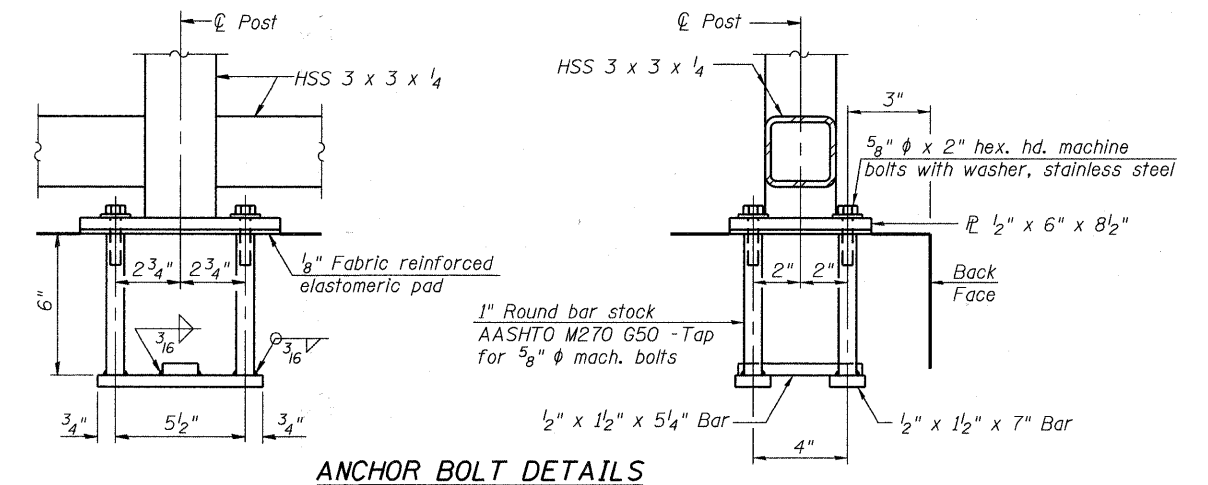
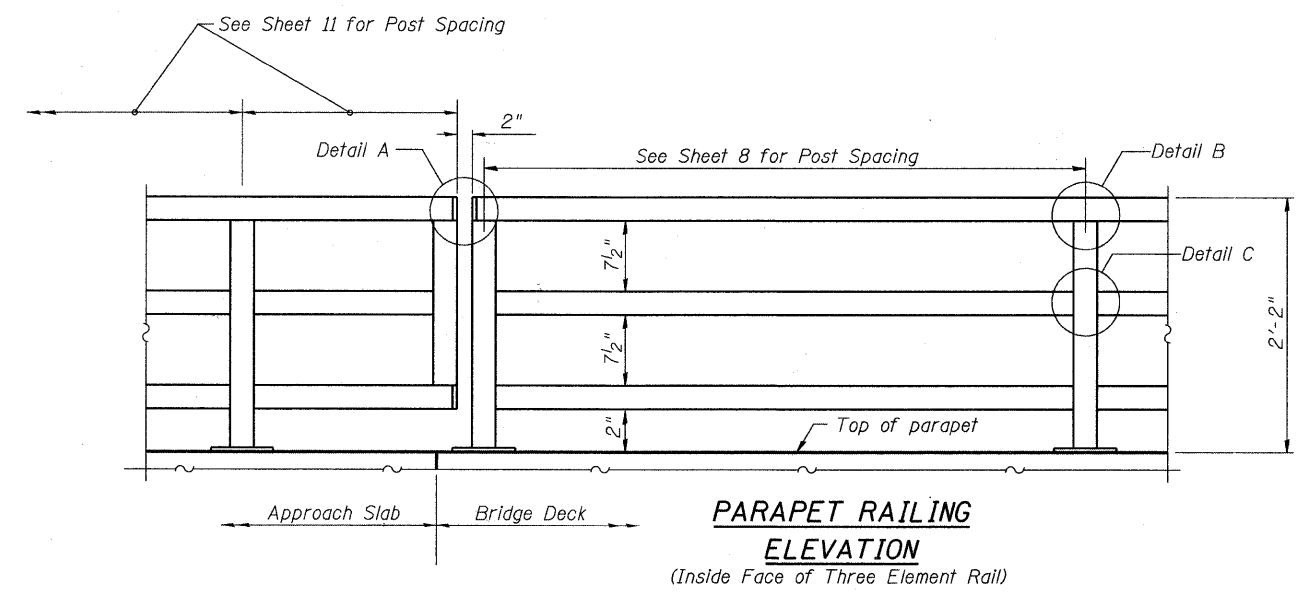
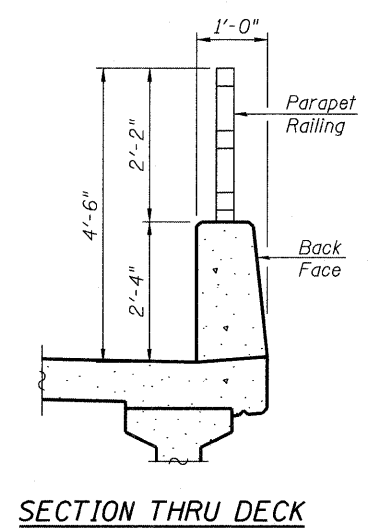
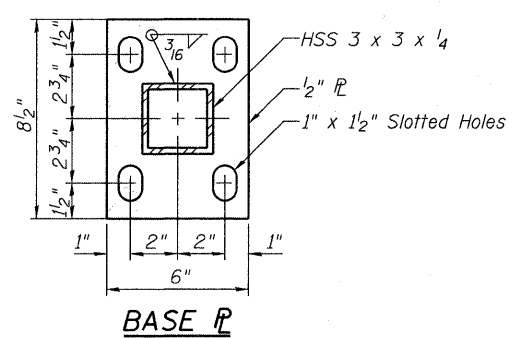
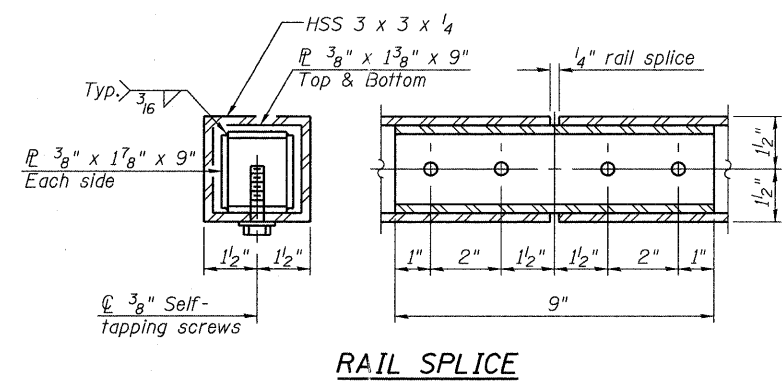


Notes:  
All steel rail elements shall be galvanized according to Article 509.05 of the Standard Specifications.



In lieu of the cast-in-place anchor device shown, the Contractor has the option of drilling and setting 5/8\"/>

**BILL OF MATERIAL**

Item	Unit	Quantity
Parapet Railing	Foot	280.8

FILE NAME = s:\756-004\_lombard - get bridges phase 1\cadd sheets\structure\1\ST\_CHARLES\0223121-02-PARAPET\_RAILING.dgn



USER NAME = gonzalo	DESIGNED SRT	REVISD -
PLOT SCALE =	CHECKED JJI	REVISD -
PLOT DATE = 7/26/2011	DRAWN GM	REVISD -
	CHECKED JJI	REVISD -

**STATE OF ILLINOIS  
GREAT WESTERN TRAIL  
ST. CHARLES ROAD**

**PARAPET RAILING DETAILS  
STRUCTURE NO. 022-3121**  
SHEET NO. 12 OF 29 SHEETS

F.A. RTE.	SECTION	COUNTY	TOTAL SHEETS	SHEET NO.
	06-00151-00-BR	DuPAGE	201	129
			CONTRACT NO. 63568	
ILLINOIS FED. AID PROJECT				