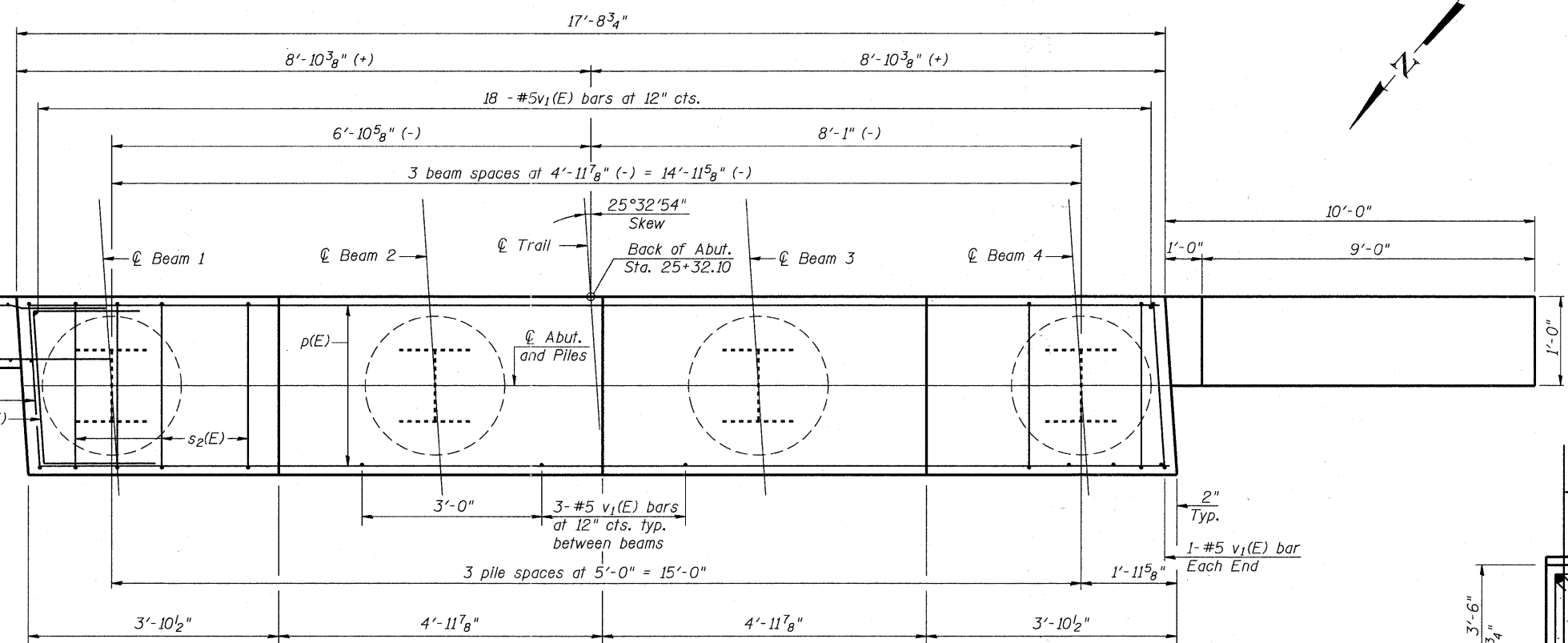


ELEVATION



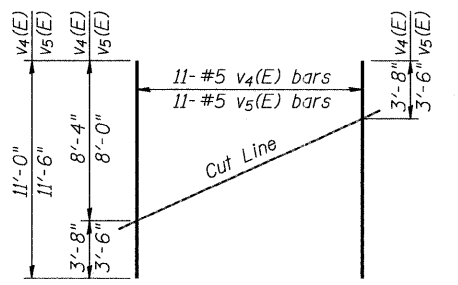
PLAN

BILL OF MATERIAL

Bar	No.	Size	Length	Shape
h(E)	60	#6	13'-2"	
p(E)	10	#7	17'-5"	
s ₂ (E)	17	#4	11'-5"	□
s ₃ (E)	2	#4	11'-11"	□
u(E)	8	#6	9'-4"	∟
v ₁ (E)	22	#5	4'-4"	
v ₄ (E)	11	#5	11'-10"	
v ₅ (E)	11	#5	11'-6"	
Concrete Structures	Cu. Yd.		21.0	
Reinforcement Bars, Epoxy Coated	Pound		2,190	
Furnishing Steel - Piles HP 12X63	Foot		207	
Driving Piles	Foot		207	
Test Pile Steel HP 12X63	Each		1	
Pile Shoes	Each		4	
Anti-Graffiti Protection System	Sq. Ft.		84	
Geocomposite Wall Drain	Sq. Yd.		15	
Porous Granular Embankment (Special)	Cu. Yd.		26	
Form Liner Textured Surface, Special	Sq. Ft.		60	

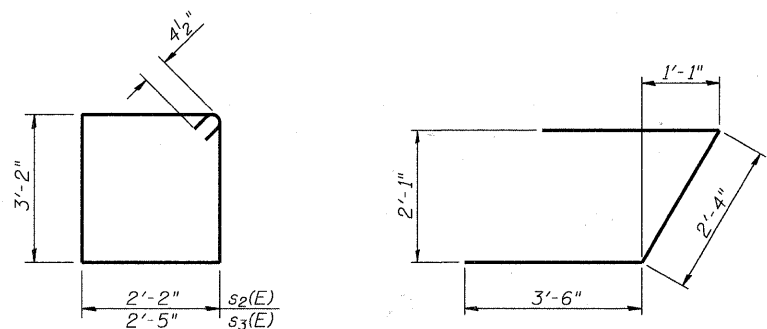
PILE DATA

Type: HP 12X63 with Pile Shoes
 Nominal Required Bearing: 450 kips
 Factored Resistance Available: 225 kips
 Est. Length: 69'
 No. Production Piles: 3
 No. Test Piles: 1



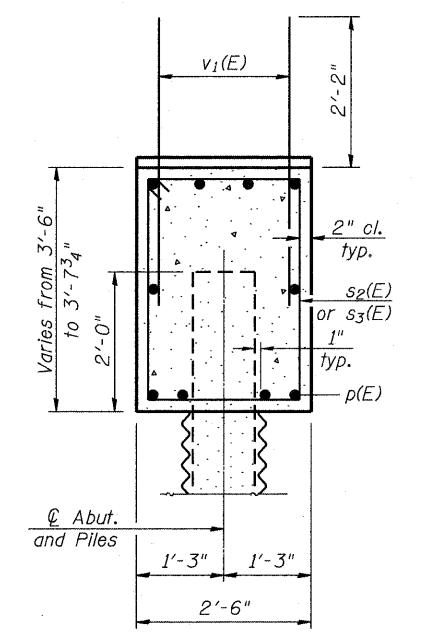
FIELD CUTTING DIAGRAM

Order v₄(E), v₅(E) full length. Cut as shown and use remainder of bars in opposite face.



BARS s₂(E) & s₃(E)

BAR u(E)



SEC. THRU ABUT.

Notes:
 Contractor Shall coordinate abutment construction with construction of MSE retaining wall.
 Pour steps monolithically with cap.
 For details of Bar Splicers, see sheet 20 of 29.

FILE NAME = w:\756-804_lombard - get bridge phase 1\load sheets\structure\ST CHARLES\022321-07-EAST ABUTMENT.dgn

Bollinger, Lach & Associates, Inc.
 ITASCA, ILLINOIS

USER NAME = gonzalo	DESIGNED SRT	REVISED -
PLOT SCALE =	CHECKED JJT	REVISED -
PLOT DATE = 7/26/2011	DRAWN GM	REVISED -
	CHECKED JJT	REVISED -

**STATE OF ILLINOIS
 GREAT WESTERN TRAIL
 ST. CHARLES ROAD**

**EAST ABUTMENT
 STRUCTURE NO. 022-3121**
 SHEET NO. 17 OF 29 SHEETS

F.A. RTE.	SECTION	COUNTY	TOTAL SHEETS	SHEET NO.
	06-00151-00-BR	DuPAGE	201	134
			CONTRACT NO. 63568	
ILLINOIS FED. AID PROJECT				