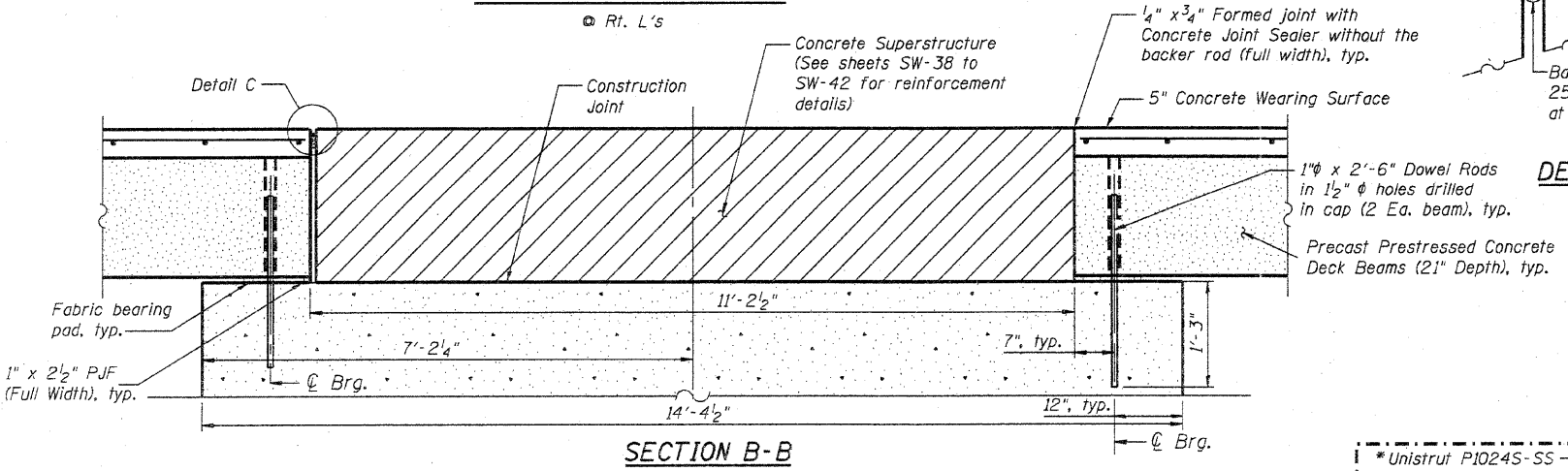
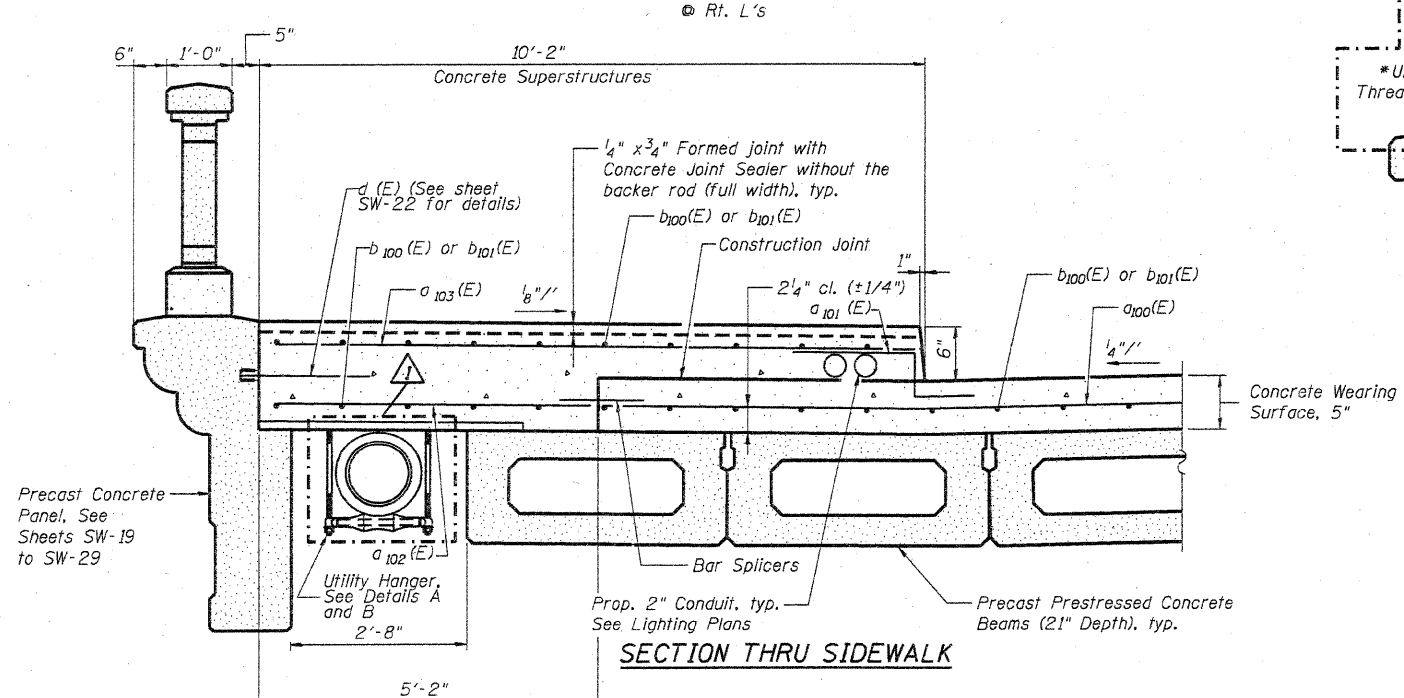


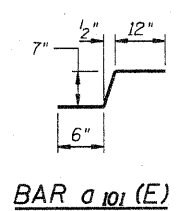
**SECTION A-A ABUTMENT**  
Rt. L's



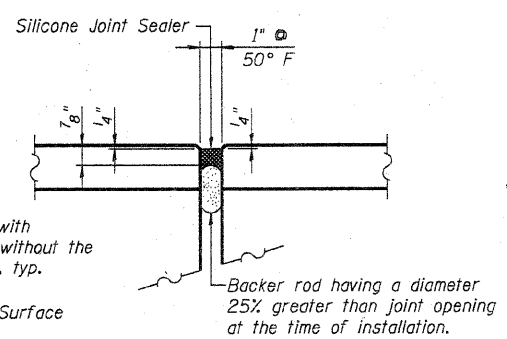
**SECTION B-B**  
Rt. L's



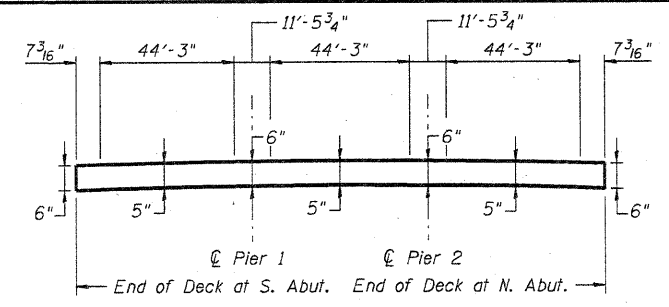
**SECTION THRU SIDEWALK**



**BAR a101 (E)**

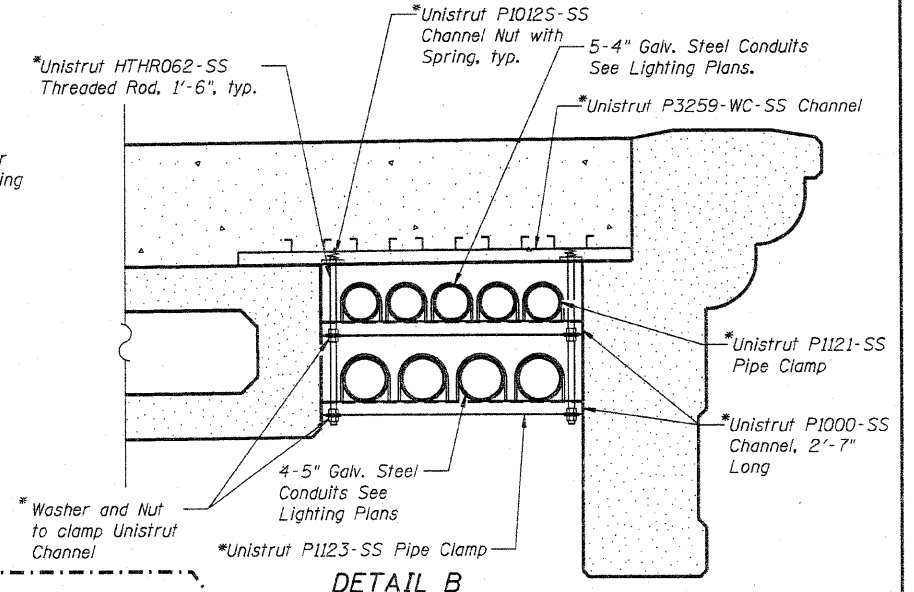


**DETAIL C**



**ANTICIPATED CONCRETE WEARING SURFACE PROFILE**

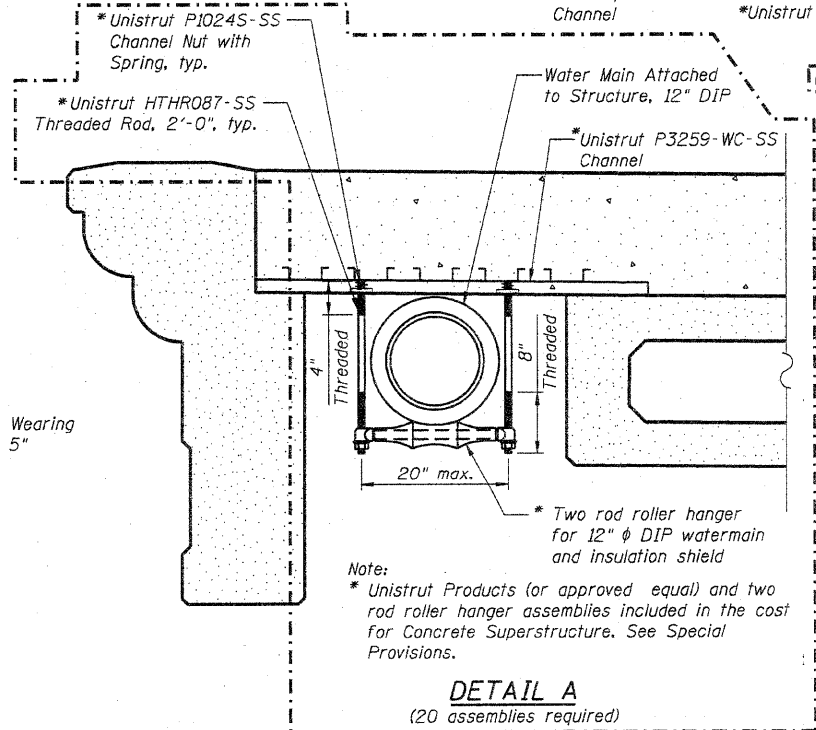
(For information only)  
Thickness is based on calculated camber and deflection of PPC Deck Beams. Actual camber of individual units may vary up to ±1/2". Adjust thickness to match PGL and cross slope.



**DETAIL B**  
(20 assemblies required)

**BILL OF MATERIALS**

| Bar No.                          | Size    | Length  | Shape |
|----------------------------------|---------|---------|-------|
| a100                             | 258 #4  | 27'-9"  | —     |
| a101                             | 320 #5  | 2'-1"   | —     |
| a102                             | 258 #4  | 5'-0"   | —     |
| a103                             | 320 #5  | 10'-1"  | —     |
| a104                             | 48 #5   | 6'-5"   | —     |
| a105                             | 14 #4   | 3'-6"   | —     |
| b100                             | 466 #5  | 23'-0"  | —     |
| b101                             | 44 #5   | 35'-2"  | —     |
| b102                             | 4 #4    | 12'-11" | —     |
| b103                             | 32 #4   | 11'-0"  | —     |
| Concrete Superstructure          | Cu. Yd. | 91.1    |       |
| Bridge Deck Grooving             | Sq. Yd. | 767     |       |
| Protective Coat                  | Sq. Yd. | 1,215   |       |
| Reinforcement Bars, Epoxy Coated | Pound   | 23,120  |       |
| Bar Splicers                     | Each    | 258     |       |
| Concrete Wearing Surface, 5"     | Sq. Yd. | 732.0   |       |
| Silicone Joint Sealer, 1"        | Foot    | 151     |       |



**DETAIL A**  
(20 assemblies required)

COMPANY NAME: HRGreen.com  
PROJECT CONTACT: Michael C. Harsh  
DATE PLOTTED: 9/9/2011 8:10:41 AM  
FILE NAME: 06090412-1155001.dgn  
PLOT DRIVER: pdfplot  
PEN TABLE: STANDARD-TRNG.TBL



|                      |                |                        |
|----------------------|----------------|------------------------|
| USER NAME = whoad    | DESIGNED - JPG | REVISED - 9/9/2011 MGH |
| PLOT SCALE = N.T.S.  | CHECKED - RGD  | REVISED                |
| PLOT DATE = 9/9/2011 | DRAWN - W.JH   | REVISED                |
|                      | CHECKED -      | REVISED                |

**CITY OF AURORA**  
**DOWNER PLACE OVER THE WEST BRANCH**  
**OF THE FOX RIVER**

**SUPERSTRUCTURE DETAILS**  
**STRUCTURE NO. 045-6006**  
SHEET NO. SW-11 OF SW-48 SHEETS

|                    |                |        |                           |           |
|--------------------|----------------|--------|---------------------------|-----------|
| F.A. RTE.          | SECTION        | COUNTY | TOTAL SHEETS              | SHEET NO. |
|                    | 07-00264-00-BR | KANE   | 164                       | 63        |
| CONTRACT NO. 63620 |                |        | ILLINOIS FED. AID PROJECT |           |