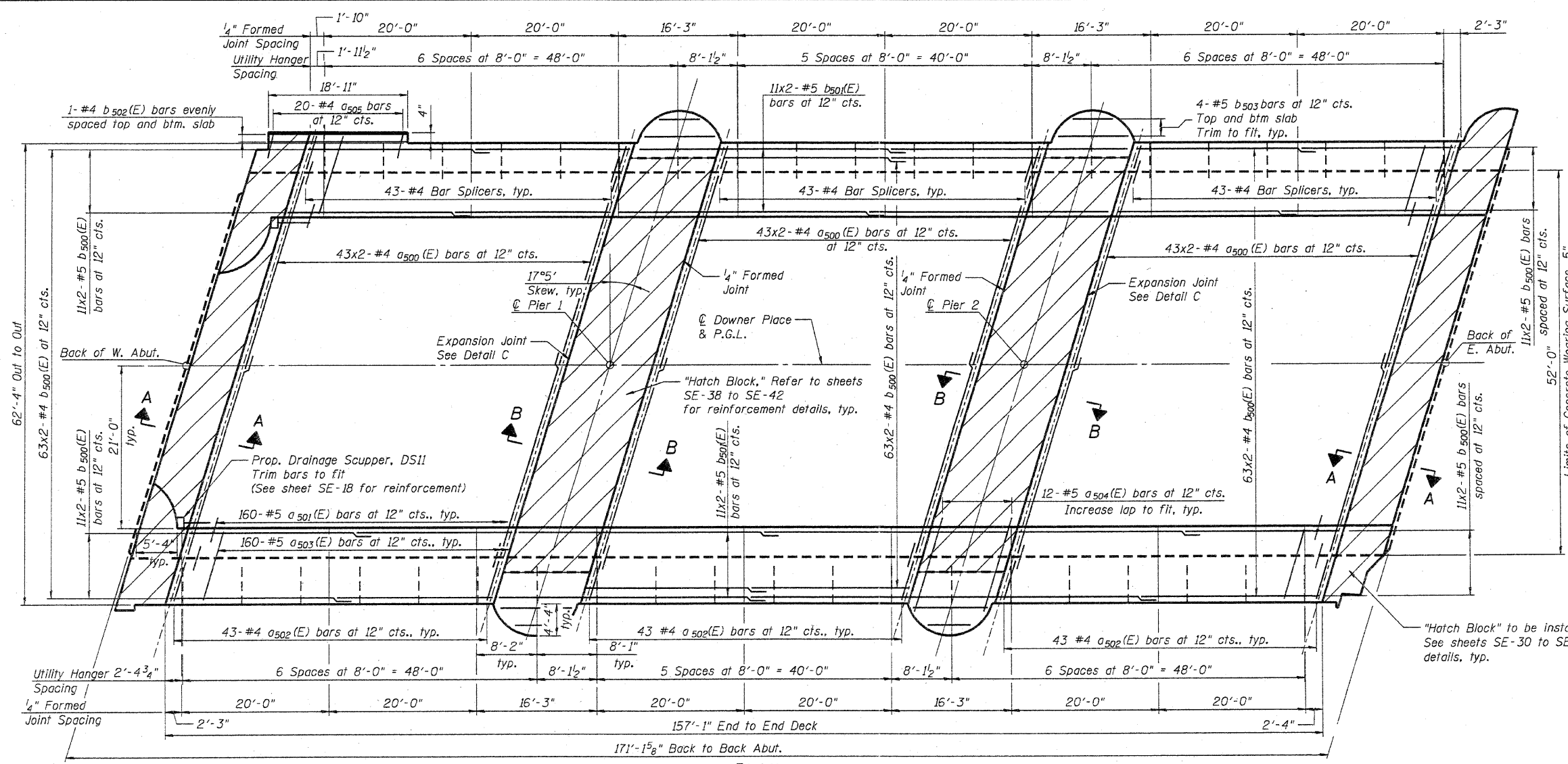
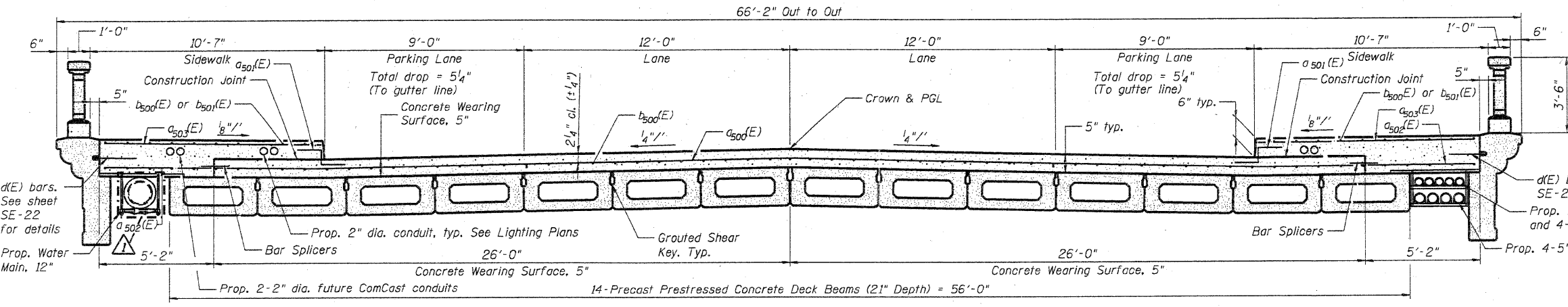


- Notes:
1. See next sheet for Superstructure Details and Bill of Material.
 2. Bars indicated thus 67x2-#4 etc. indicates 67 lines of bars with 2 lengths per line.
 3. Spacing of a₅₀₀(E), a₅₀₁(E), a₅₀₂(E), a₅₀₃(E), a₅₀₄(E) and a₅₀₅(E) bars shall be measured along the C of structure.
 4. See next sheet for Sections A-A and B-B and Details A, B, and C.
 5. Beams 1 and 14 to be installed after abutment and pier closure pours.



PLAN



CROSS SECTION
(Looking East)

"Hatch Block" to be installed after deck. See sheets SE-30 to SE-37 for reinforcement details, typ.

MINIMUM BAR LAP
#4 bar = 2'-1"

COMPANY NAME: HRGreen
PROJECT CONTACT: HRGreen
DATE PLOTTED: 9/8/2011 2:50:02 PM
FILE NAME: 86090412-a-detailed.rvt
PLOT DRIVER: poflight
PER TABLE: STANDARD-TRANS.TB



USER NAME = whood	DESIGNED - JPC	REVISED - 9/9/2011 MGH
CHECKED - RGD	REVISIONS	
PLOT SCALE = N.T.S.	DRAWN - WJH	REVISIONS
PLOT DATE = 9/8/2011	CHECKED -	REVISIONS

CITY OF AURORA
DOWNER PLACE OVER THE EAST BRANCH
OF THE FOX RIVER

SUPERSTRUCTURE PLAN & CROSS SECTION
STRUCTURE NO. 045-6005
SHEET NO. SE-10 OF SE-45 SHEETS

F.A. RTÉ.	SECTION	COUNTY	TOTAL SHEETS	SHEET NO.
	07-00264-00-BR	KANE	164	110
CONTRACT NO. 63620			ILLINOIS FED. AID PROJECT	