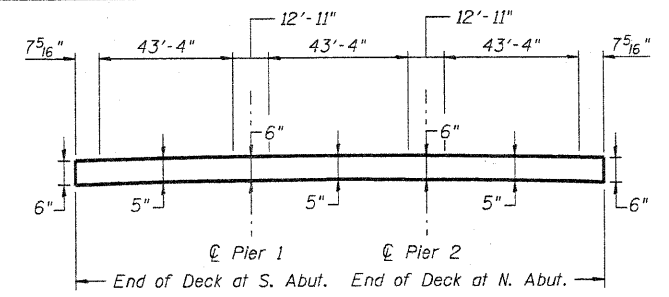
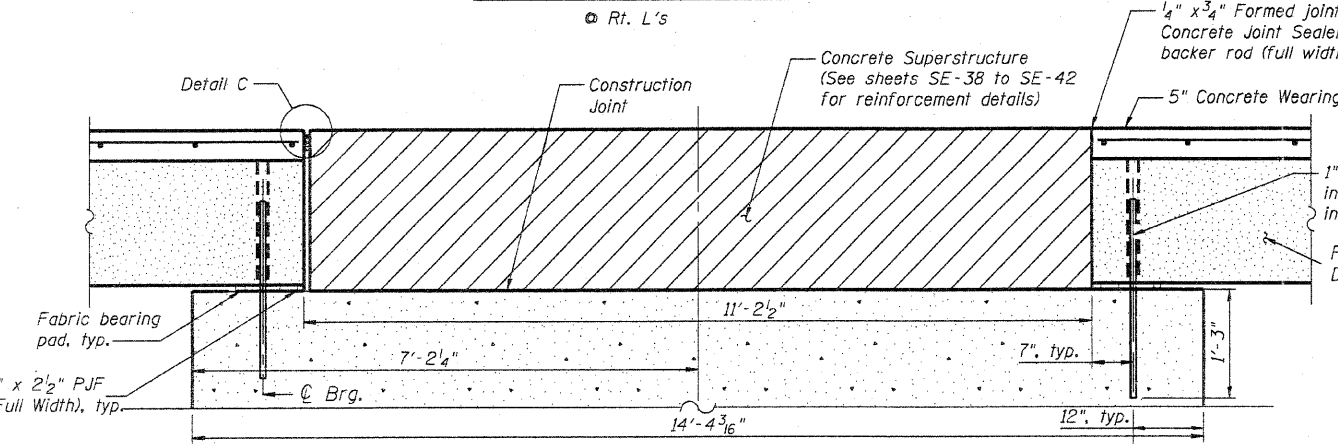


BAR a 102(E)

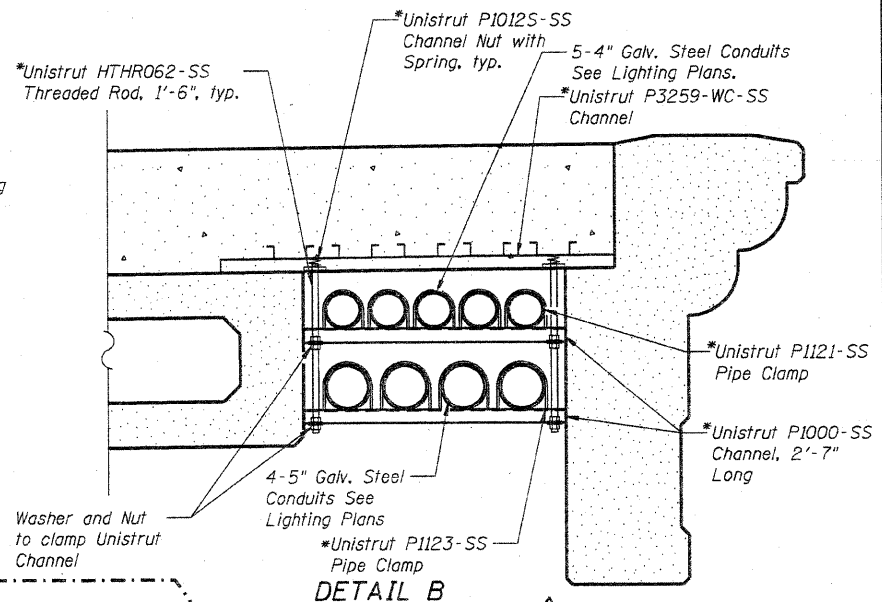
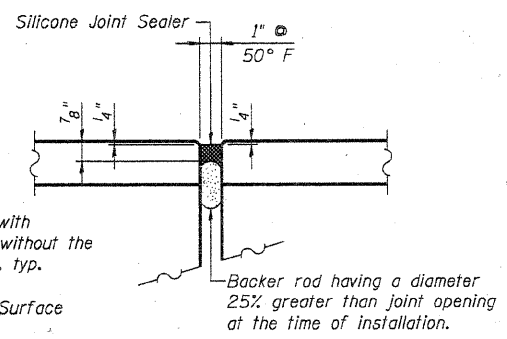


ANTICIPATED CONCRETE WEARING SURFACE PROFILE

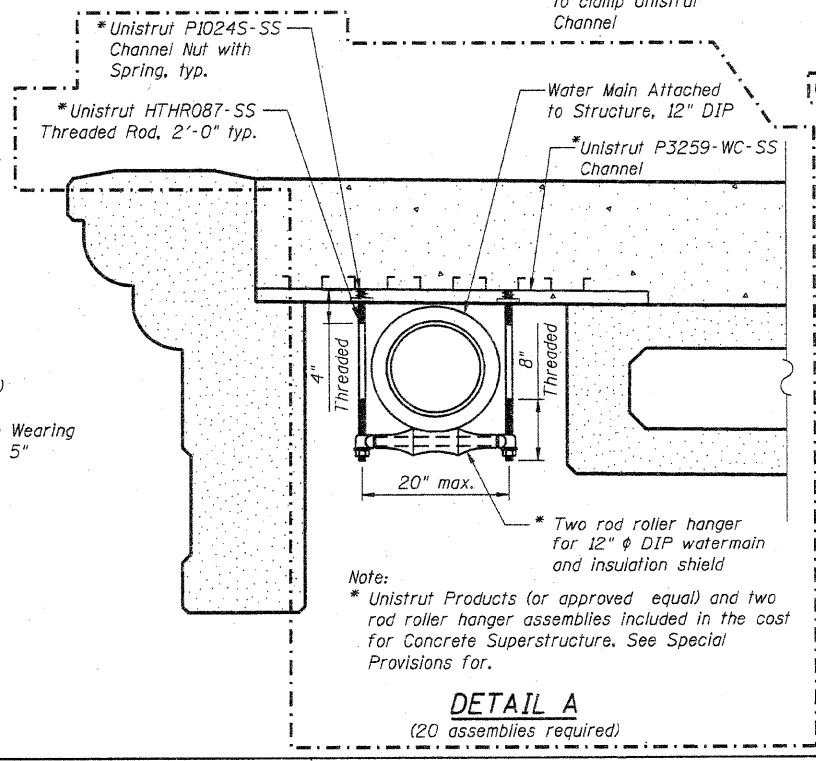
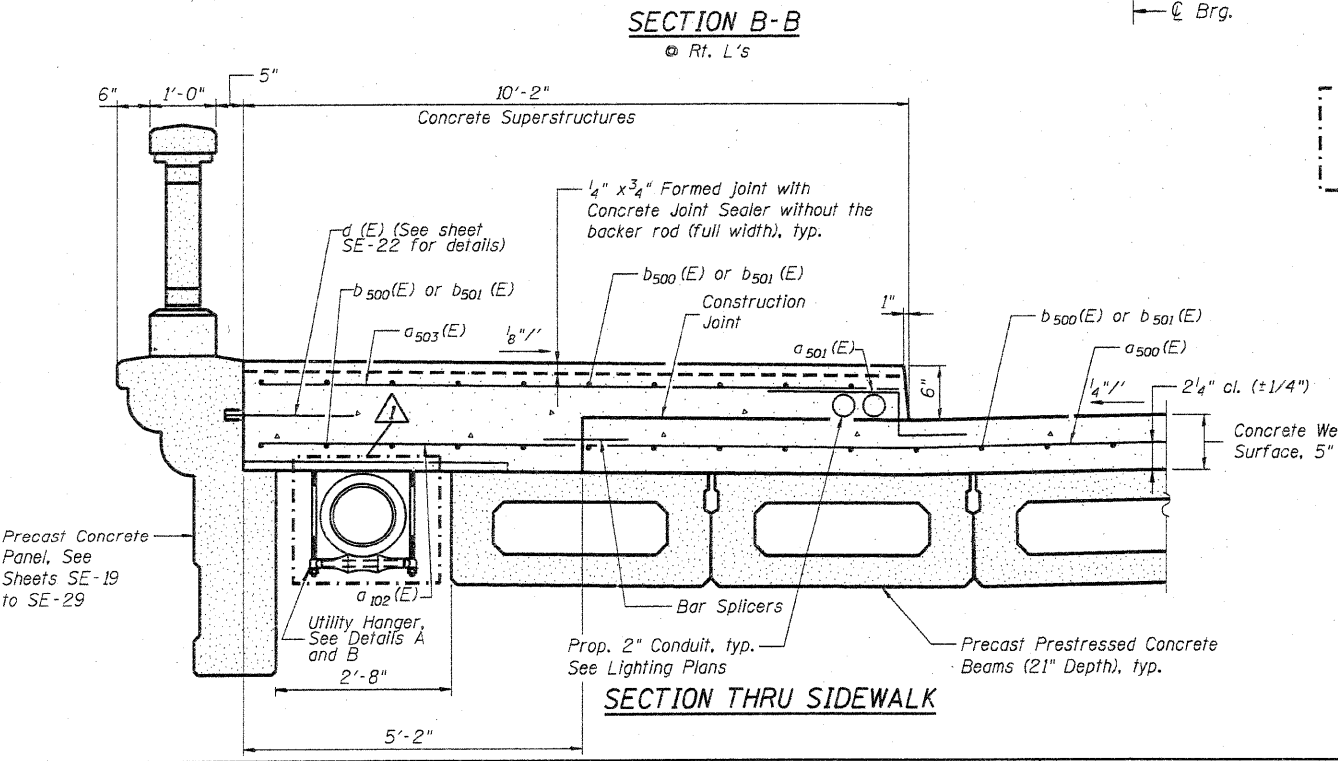
(For information only)  
Thickness is based on calculated camber and deflection of PPC Deck Beams. Actual camber of individual units may vary up to ±1/2". Adjust thickness to match PGL and cross slope.



DETAIL C



DETAIL B



Note:  
\* Unistrut Products (or approved equal) and two rod roller hanger assemblies included in the cost for Concrete Superstructure. See Special Provisions for.

BILL OF MATERIALS

Bar No.	Size	Length	Shape
C500	258	#4	28'- 2"
C501	320	#5	2'- 1"
C502	258	#4	5'- 8"
C503	320	#5	10'- 4"
C504	48	#5	6'- 5"
C505	20	#4	3'- 6"
D500	466	#5	23'- 4"
D501	44	#5	35'- 0"
D502	2	#4	18'- 9"
D503	32	#4	11'- 0"
Concrete Superstructure	Cu. Yd.		89.9
Bridge Deck Grooving	Sq. Yd.		761
Protective Coat	Sq. Yd.		1,206
Reinforcement Bars, Epoxy Coated	Pound		23,550
Bar Splicers	Each		258
Concrete Wearing Surface, 5"	Sq. Yd.		715
Silicone Joint Sealer, 1"	Foot		150

COMPANY NAME: HRGreen.com  
PROJECT CONTACT: Michael G. Harshing  
DATE PLOTTED: 9/9/2011 9:54:38 AM  
FILE NAME: 86090412-0-SS01.dgn  
PLOT DRIVER: pldrv1  
PEN TABLE: STANDARD\_TRANS.TBL



USER NAME = whood	DESIGNED - JPC	REVISED - 9/9/2011 MGH
PLOT SCALE = N.T.S.	CHECKED - RGD	REVISED
PLOT DATE = 9/9/2011	DRAWN - WJH	REVISED
	CHECKED -	REVISED

CITY OF AURORA  
DOWNER PLACE OVER THE EAST BRANCH  
OF THE FOX RIVER

SUPERSTRUCTURE DETAILS  
STRUCTURE NO. 045-6005

SHEET NO. SE-11 OF SE-45 SHEETS

F.A. RTE.	SECTION	COUNTY	TOTAL SHEETS	SHEET NO.
	07-00264-00-BR	KANE	164	111
CONTRACT NO. 63620			ILLINOIS FED. AID PROJECT	