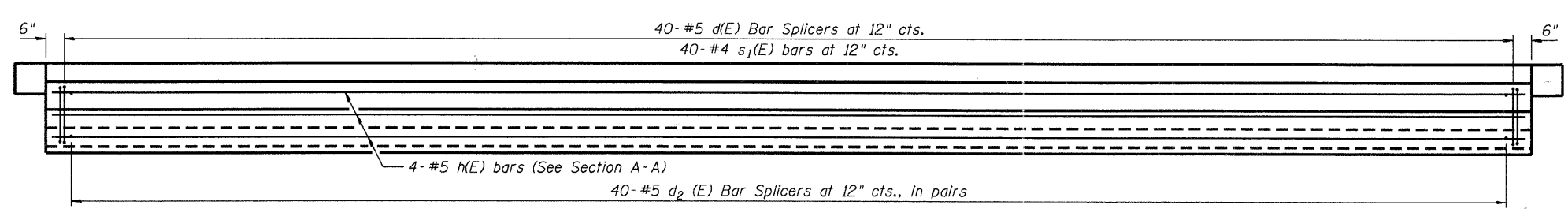
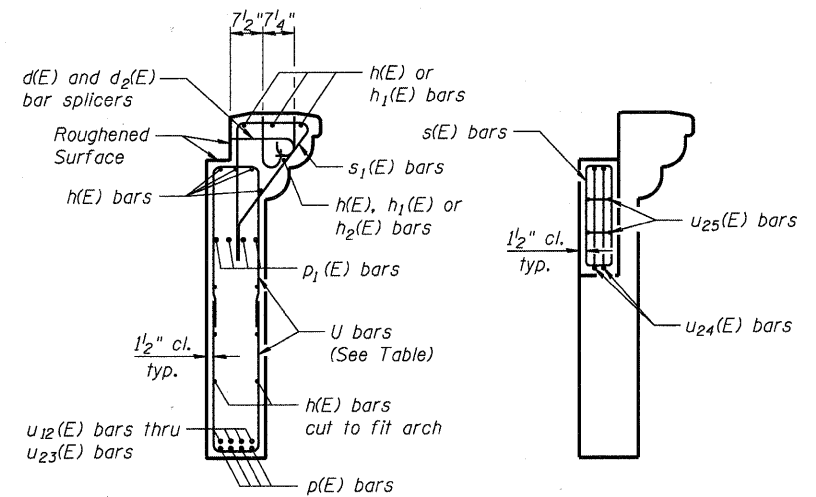


PLAN VIEW - FASCIA PANEL
(N-1)

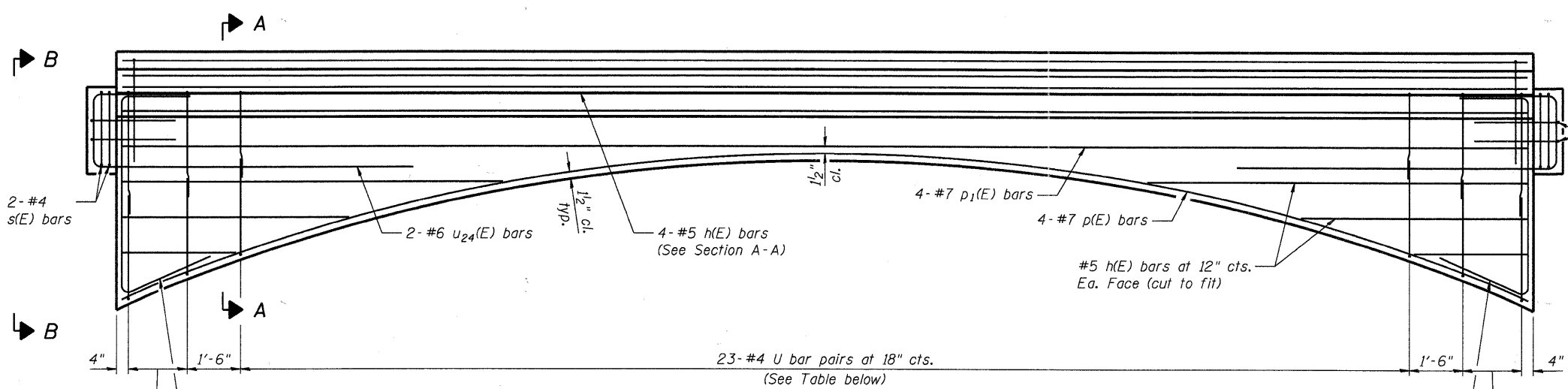


PLAN VIEW - FASCIA PANELS
(N-2, N-3 and S-1 thru S-3)

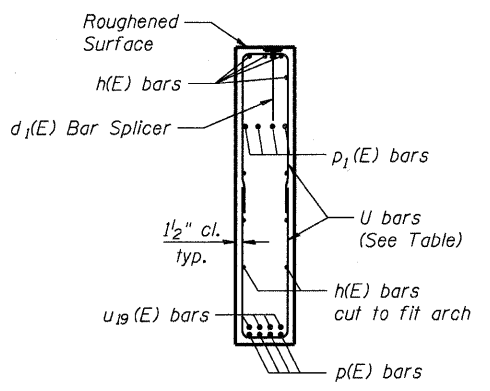


SECTION A-A

SECTION B-B



OUTSIDE ELEVATION - FASCIA PANELS
(N-1 thru N-3 and S-1 thru S-3)



SECTION C-C

- 3 U bar pairs at 10" cts. (See Table below)
- 4-#5 u12(E) bars S-1
- 4-#5 u14(E) bars S-2
- 4-#5 u16(E) bars S-3
- 4-#5 u18(E) bars N-1
- 4-#5 u20(E) bars N-2
- 4-#5 u22(E) bars N-3

- 4-#5 u13(E) bars S-1
- 4-#5 u15(E) bars S-2
- 4-#5 u17(E) bars S-3
- 4-#5 u19(E) bars N-1
- 4-#5 u21(E) bars N-2
- 4-#5 u23(E) bars N-3

U BAR SCHEDULE

	10" Spacing								18" Spacing								10" Spacing															
	U11(E)	U11(E)	U11(E)	U11(E)	U11(E)	U11(E)	U11(E)	U11(E)	U13(E)	U13(E)	U13(E)	U13(E)	U13(E)	U13(E)	U13(E)	U13(E)	U15(E)	U15(E)	U15(E)	U15(E)	U15(E)	U15(E)	U15(E)	U15(E)	U17(E)	U17(E)	U17(E)	U17(E)	U17(E)	U17(E)	U17(E)	U17(E)
S-1	U11(E)	U11(E)	U11(E)	U11(E)	U11(E)	U11(E)	U11(E)	U11(E)	U13(E)	U13(E)	U13(E)	U13(E)	U13(E)	U13(E)	U13(E)	U13(E)	U15(E)	U15(E)	U15(E)	U15(E)	U15(E)	U15(E)	U15(E)	U15(E)	U17(E)	U17(E)	U17(E)	U17(E)	U17(E)	U17(E)	U17(E)	U17(E)
S-2	U11(E)	U11(E)	U11(E)	U11(E)	U11(E)	U11(E)	U11(E)	U11(E)	U13(E)	U13(E)	U13(E)	U13(E)	U13(E)	U13(E)	U13(E)	U13(E)	U15(E)	U15(E)	U15(E)	U15(E)	U15(E)	U15(E)	U15(E)	U15(E)	U17(E)	U17(E)	U17(E)	U17(E)	U17(E)	U17(E)	U17(E)	U17(E)
S-3	U11(E)	U11(E)	U11(E)	U11(E)	U11(E)	U11(E)	U11(E)	U11(E)	U13(E)	U13(E)	U13(E)	U13(E)	U13(E)	U13(E)	U13(E)	U13(E)	U15(E)	U15(E)	U15(E)	U15(E)	U15(E)	U15(E)	U15(E)	U15(E)	U17(E)	U17(E)	U17(E)	U17(E)	U17(E)	U17(E)	U17(E)	U17(E)
N-1	U11(E)	U11(E)	U11(E)	U11(E)	U11(E)	U11(E)	U11(E)	U11(E)	U13(E)	U13(E)	U13(E)	U13(E)	U13(E)	U13(E)	U13(E)	U13(E)	U15(E)	U15(E)	U15(E)	U15(E)	U15(E)	U15(E)	U15(E)	U15(E)	U17(E)	U17(E)	U17(E)	U17(E)	U17(E)	U17(E)	U17(E)	U17(E)
N-2	U11(E)	U11(E)	U11(E)	U11(E)	U11(E)	U11(E)	U11(E)	U11(E)	U13(E)	U13(E)	U13(E)	U13(E)	U13(E)	U13(E)	U13(E)	U13(E)	U15(E)	U15(E)	U15(E)	U15(E)	U15(E)	U15(E)	U15(E)	U15(E)	U17(E)	U17(E)	U17(E)	U17(E)	U17(E)	U17(E)	U17(E)	U17(E)
N-3	U11(E)	U11(E)	U11(E)	U11(E)	U11(E)	U11(E)	U11(E)	U11(E)	U13(E)	U13(E)	U13(E)	U13(E)	U13(E)	U13(E)	U13(E)	U13(E)	U15(E)	U15(E)	U15(E)	U15(E)	U15(E)	U15(E)	U15(E)	U15(E)	U17(E)	U17(E)	U17(E)	U17(E)	U17(E)	U17(E)	U17(E)	U17(E)

HRGreen.com
#184-011322
7/26/2011 11:00:41 AM
pdefsh

HRGreen
Innovative Professional Design Firm

USER NAME = whood	DESIGNED - SSM	REVISED -
PLOT SCALE = N.T.S.	CHECKED - RGD	REVISED -
PLOT DATE = 7/26/2011	DRAWN - WJH	REVISED -
	CHECKED -	REVISED -

CITY OF AURORA
DOWNER PLACE OVER THE WEST BRANCH
OF THE FOX RIVER

PRECAST CONCRETE FASCIA PANEL - SPANDREL
STRUCTURE NO. 045-6006
SHEET NO. SW-22 OF SW-48 SHEETS

F.A. RTE.	SECTION	COUNTY	TOTAL SHEETS	SHEET NO.
	07-00264-00-BR	KANE	164	74
			CONTRACT NO. 63620	
ILLINOIS FED. AID PROJECT				