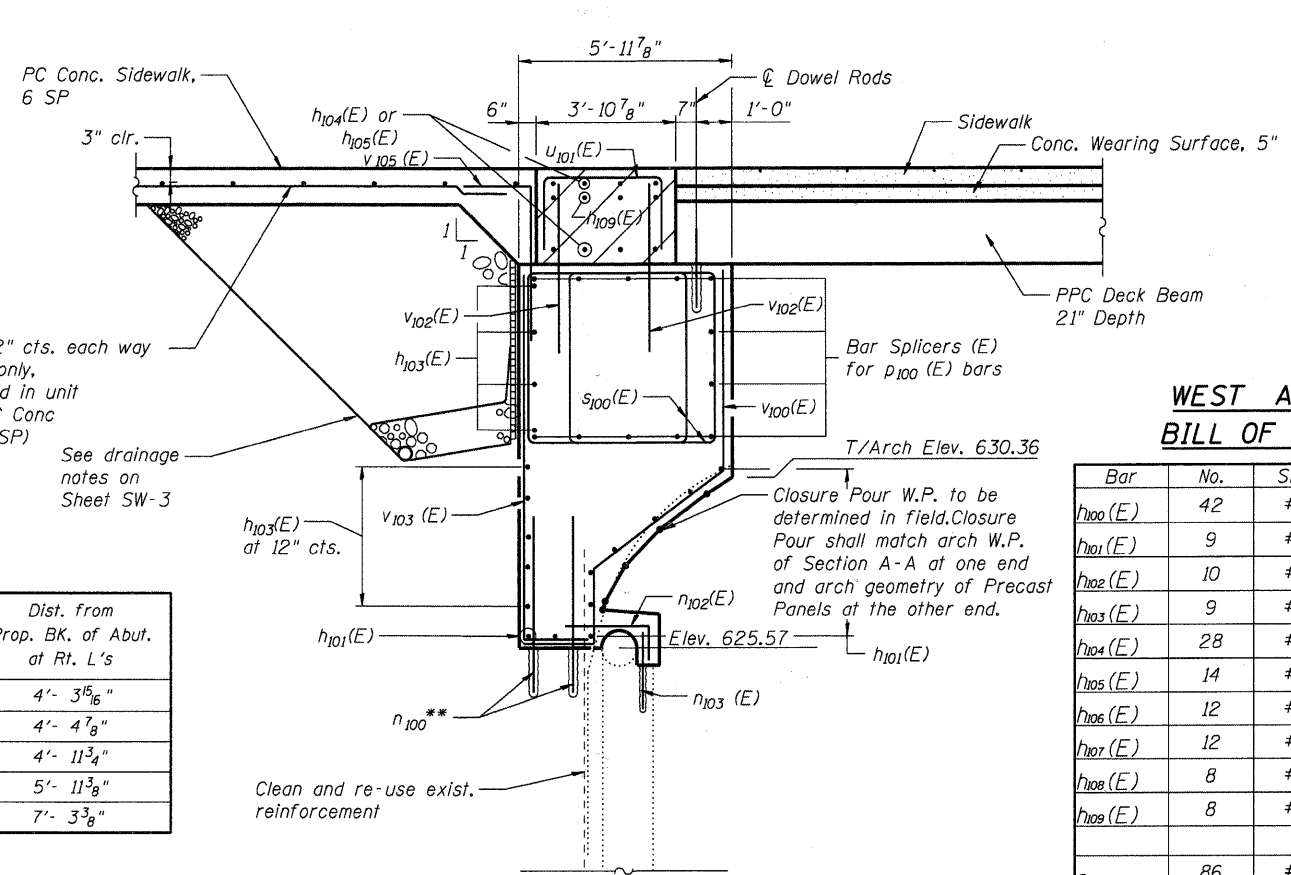


SECTION A-A THRU ABUTMENT
Horizontal Dimensions at Rt. L's

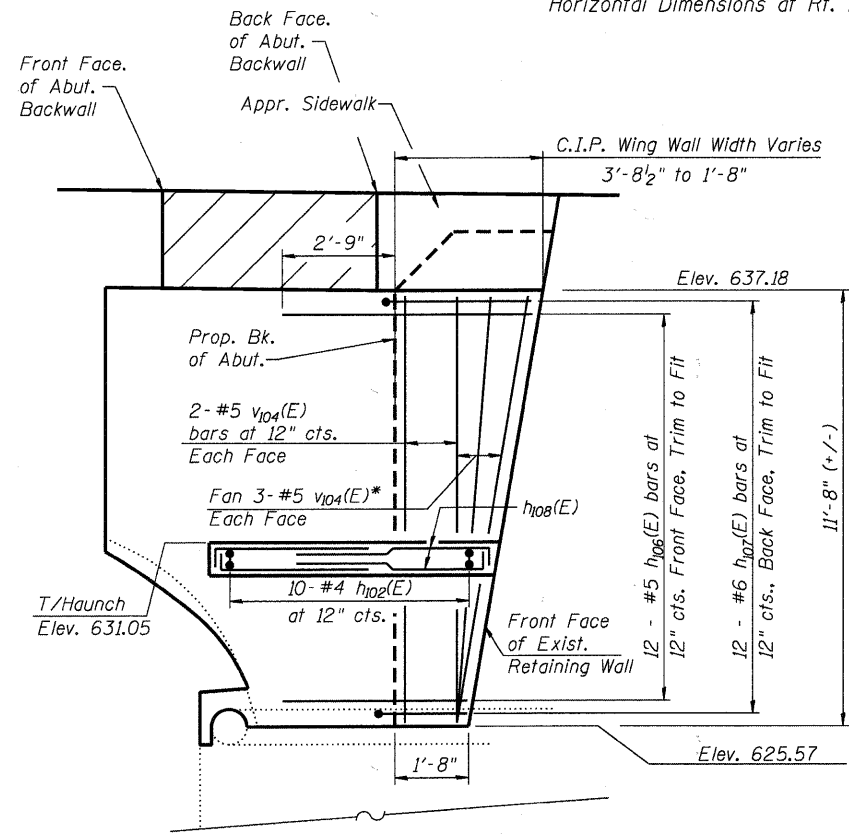


SECTION B-B THRU ABUTMENT
Horizontal Dimensions at Rt. L's

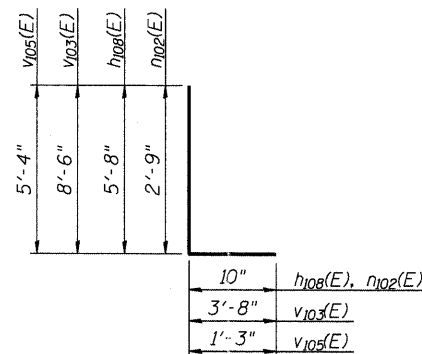
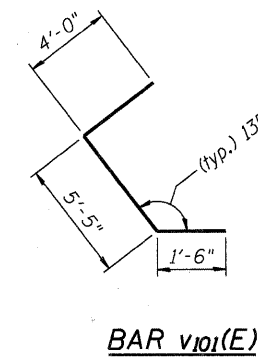
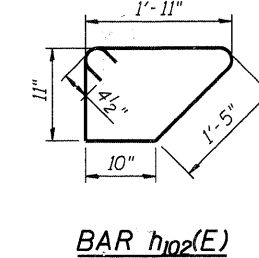
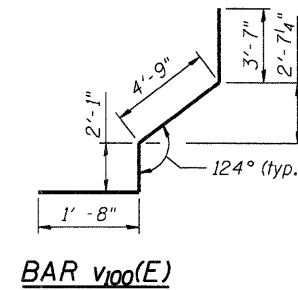
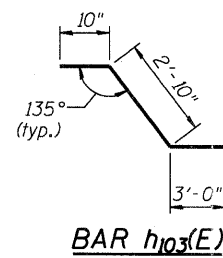
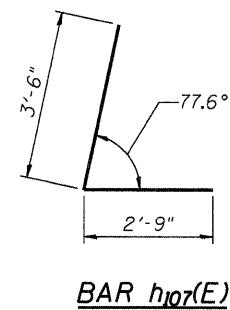
**WEST ABUTMENT
BILL OF MATERIAL**

Bar	No.	Size	Length	Shape
h100(E)	42	#5	20'- 10"	—
h101(E)	9	#5	6'- 4"	—
h102(E)	10	#4	5'- 10"	□
h103(E)	9	#5	6'- 8"	—
h104(E)	28	#5	31'- 2"	—
h105(E)	14	#5	10'- 1"	—
h106(E)	12	#5	6'- 4"	—
h107(E)	12	#6	6'- 3"	L
h108(E)	8	#5	6'- 6"	L
h109(E)	8	#5	4'- 10"	—
h100	86	#5	1'- 10"	—
h101	42	#8	4'- 10"	—
h102(E)	43	#5	3'- 7"	L
h103(E)	43	#5	1'- 7"	—
h100(E)	54	#7	19'- 3"	—
s100(E)	128	#5	21'- 11"	□
u100(E)	60	#5	9'- 8"	—
u101(E)	4	#5	8'- 8"	—
u102(E)	6	#5	9'- 9"	—
u103(E)	6	#5	11'- 10"	—
v100(E)	64	#5	12'- 1"	L
v101(E)	58	#5	10'- 11"	L
v102(E)	128	#5	4'- 3"	—
v103(E)	6	#5	12'- 2"	L
v104(E)	10	#5	11'- 4"	—
v105(E)	64	#5	6'- 7"	L
Structure Excavation		Cu. Yd.	133.8	
Cofferdam (Location - 1)		Each	0.5	
Concrete Structures		Cu. Yd.	193.9	
Concrete Superstructure		Cu. Yd.	33.7	
Reinforcement Bars		Pound	710	
Reinforcement Bars, Epoxy		Pound	11,150	
Bar Splicers		Each	48	
Concrete Sealer		Sq. Ft.	100	

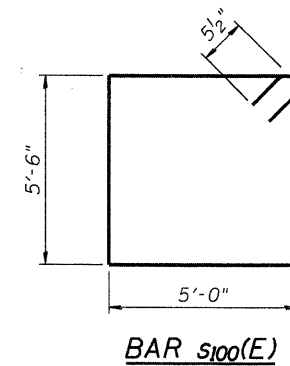
For details of Bar Splicers, see sheet SW-43



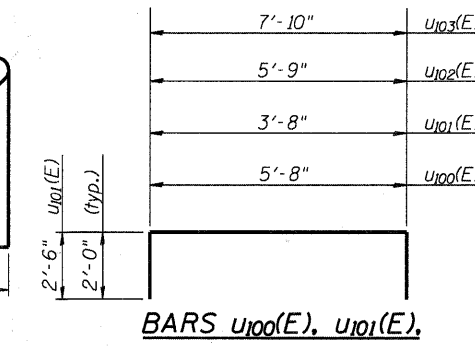
N.W. WINGWALL ELEVATION
- Precast not shown for clarity



BARS h102(E), v103(E), v105(E), & h108(E)



BAR s100(E)



BARS u100(E), u101(E), u102(E) & u103(E)
* = bend to fit skew

COMPANY NAME: HRGREEN
PROJECT CONTACT: Michelle G. Harshbarger
CITY OF AURORA
CLIENT: CITY OF AURORA
FILE NAME: 8609072-#401661.dgn
PLOT DRIVER: pefont
PEN TABLE: Struct 22x34.tbl

HRGreen.com
Illinois Professional Design Firm
#194-001322

USER NAME = whood
DESIGNED - JMW
CHECKED - RGD
DRAWN - WJH
CHECKED -
PLOT SCALE = N.T.S.
PLOT DATE = 7/26/2011

REVISOR -
REVISION -
REVISION -
REVISION -

**CITY OF AURORA
DOWNER PLACE OVER THE WEST BRANCH
OF THE FOX RIVER**

**WEST ABUTMENT DETAILS
STRUCTURE NO. 045-6006**

SHEET NO. SW-31 OF SW-48 SHEETS

F.A. RTE.	SECTION	COUNTY	TOTAL SHEETS	SHEET NO.
	07-00264-00-BR	KANE	164	83
CONTRACT NO. 63620			ILLINOIS FED. AID PROJECT	