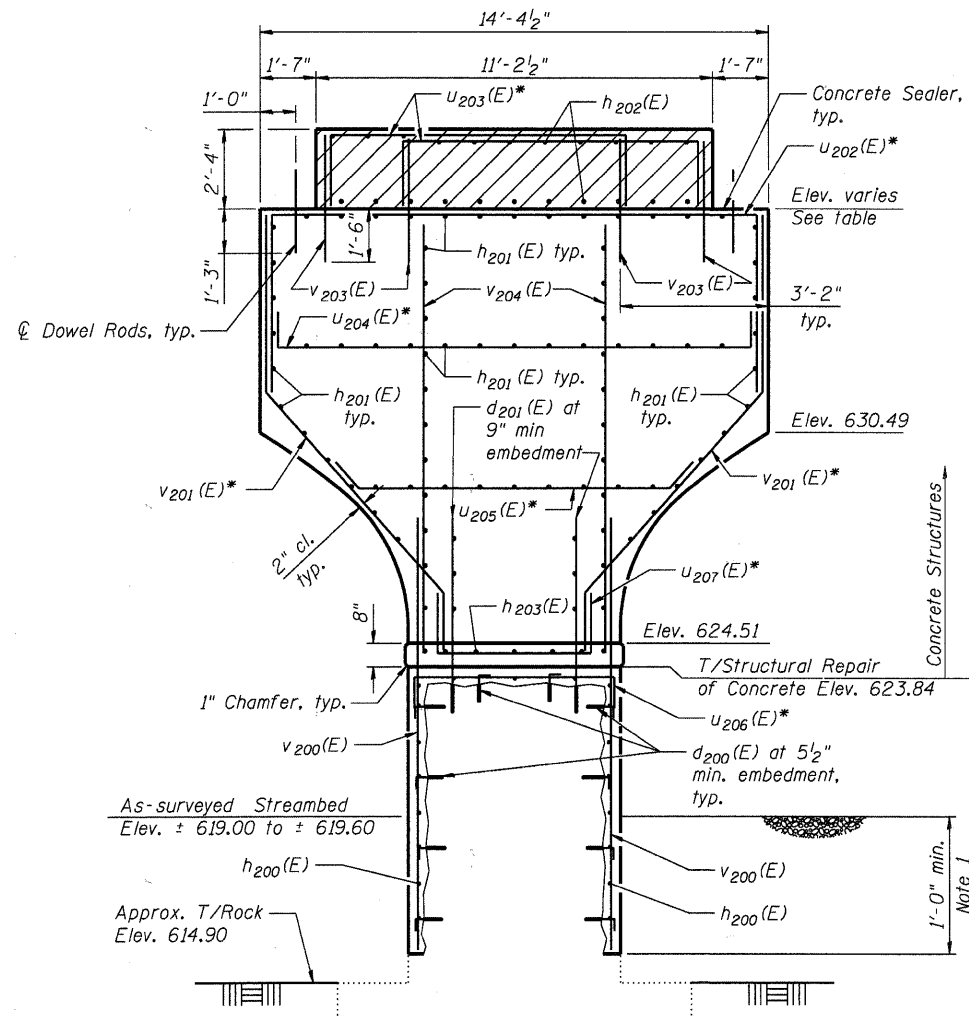


Top of Pier Elevations (See previous sheet for locations)

	North Face of Pier 1	North Fascia Beam	North Const. Joint	North Break Point	℄ of Roadway	South Break Point	South Const. Joint	South Fascia Beam	South Face of Pier 1
W. Face of Pier 1	636.72	636.78	636.76	636.71	637.18	636.81	636.87	636.91	636.87
W. Brg. Pier 1	636.71	636.77	636.75	636.70	637.17	636.80	636.86	636.90	636.86
℄ Pier 1	636.65	636.70	636.68	636.63	637.10	636.73	636.79	636.83	636.79
E. Brg. Pier 1	636.58	636.63	636.61	636.57	637.04	636.66	636.73	636.77	636.72
E. Face of Pier 1	636.57	636.62	636.60	636.56	637.03	636.65	636.72	636.75	636.71

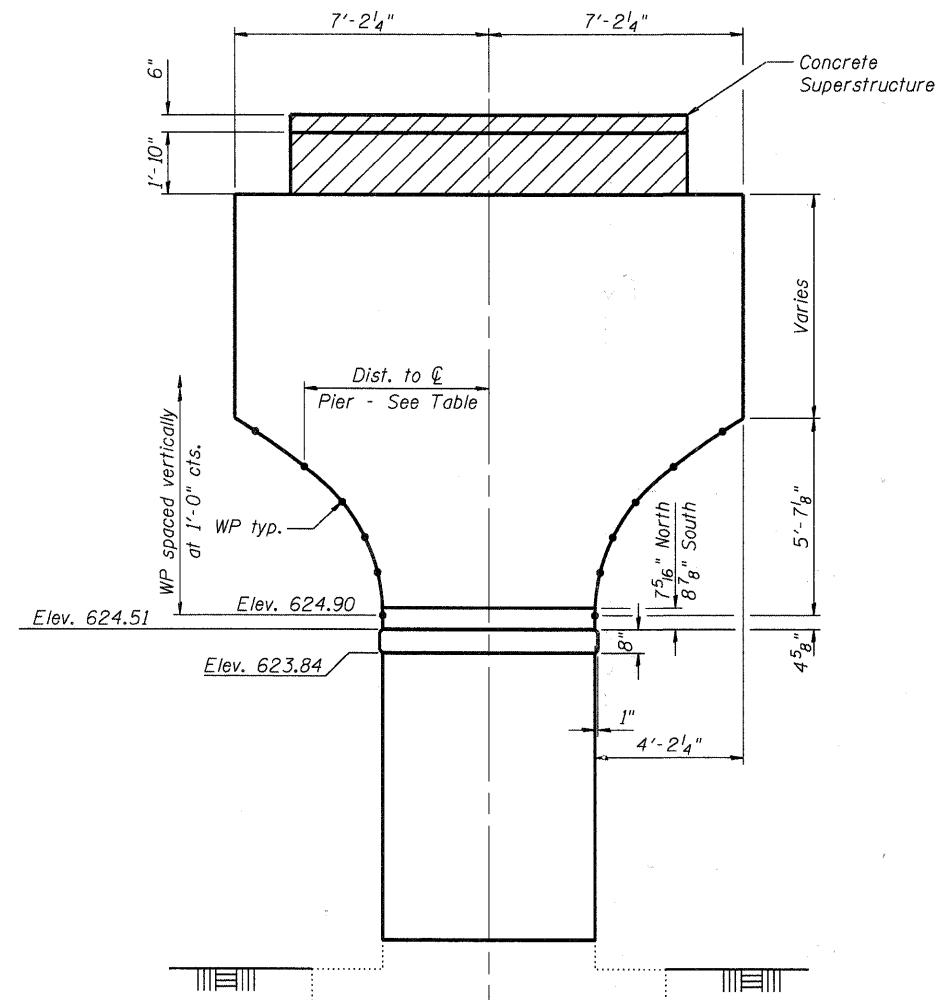
**WP DIMENSIONS**

WP Height from Elev. 624.90	Dist from Pier ℄
0'	3'-0"
1'-0"	3'-1 <sup>3</sup> / <sub>16</sub> "
2'-0"	3'-4 <sup>7</sup> / <sub>8</sub> "
3'-0"	3'-11 <sup>3</sup> / <sub>4</sub> "
4'-0"	4'-11 <sup>3</sup> / <sub>8</sub> "
5'-0"	6'-3 <sup>3</sup> / <sub>8</sub> "



**PIER SECTION**

Horizontal Dimensions at Rt L's



**END VIEW**

Horizontal Dimensions at Rt L's  
Precast Concrete Outlook and Fascia Panel not shown for clarity.

\*Bars placed parallel to skew.

Notes:  
1. Structural Repair of Concrete, See SW-5

COMPANY NAME: HRGreen  
PROJECT CONTACT: [Name]  
DATE PLOTTED: 7/26/2011 10:52:12 AM  
FILE NAME: 8600412-W-Pier1-02.dgn  
PLOT DRIVER: pdf,dht  
PEN TABLE: Struct 22-34.tbl



USER NAME = whood	DESIGNED - SSM	REVISIONS
PLOT SCALE = N.T.S.	CHECKED - RGD	REVISIONS
PLOT DATE = 7/26/2011	DRAWN - WJH	REVISIONS
	CHECKED -	REVISIONS

**CITY OF AURORA**  
**DOWNER PLACE OVER THE WEST BRANCH**  
**OF THE FOX RIVER**

**PIER I**  
**STRUCTURE NO. 045-6006**

SHEET NO. SW-39 OF SW-48 SHEETS

F.A. RTE.	SECTION	COUNTY	TOTAL SHEETS	SHEET NO.
	07-00264-00-BR	KANE	164	91
CONTRACT NO. 63620				
[ILLINOIS] FED. AID PROJECT				