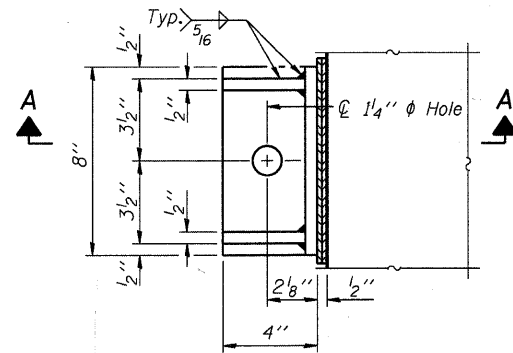


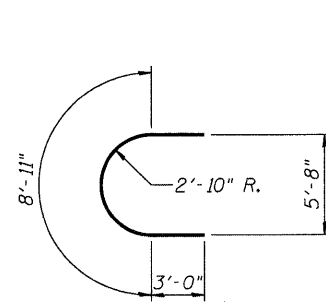
1"  $\phi$  x 12" anchor bolt with 2 1/2" x 2 1/2" x 5/16" PL washer under nut. Holes in cap to be drilled after beams are in place.

SECTION A-A

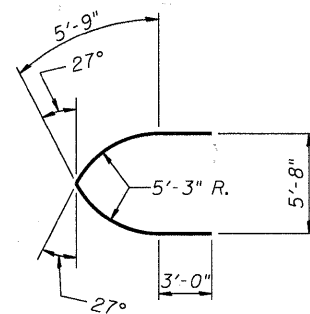


PLAN

Notes:  
 Cost of retainer and accessories are included with Precast Prestressed Concrete Deck Beams.  
 Equivalent rolled angle with stiffeners will be allowed in lieu of welded plates.  
 The side retainers shall be galvanized after shop fabrication according to AASHTO M 111 and ASTM 385.  
 Anchor bolts and plate washers shall be galvanized according to AASHTO M 232.  
 After the notch or concrete overlay are poured and cured, the steel wedges shall be removed.



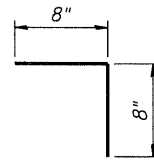
BAR u200(E) & u300(E)



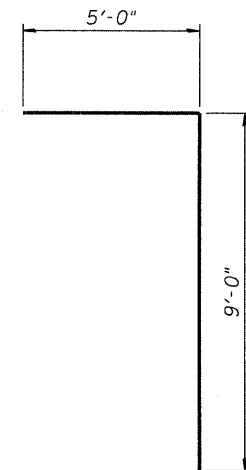
BAR u201(E) & u301(E)

U202(E) & U302(E)	14'-4"	U202(E) & U302(E)	3'-6"
U203(E) & U303(E)	9'-8"	U203(E) & U303(E)	1'-8"
U204(E) & U304(E)	14'-2"	U204(E) & U304(E)	1'-4"
U206(E) & U306(E)	5'-10"	U206(E) & U306(E)	1'-0"
U207(E) & U307(E)	4'-5"	U207(E) & U307(E)	1'-4"

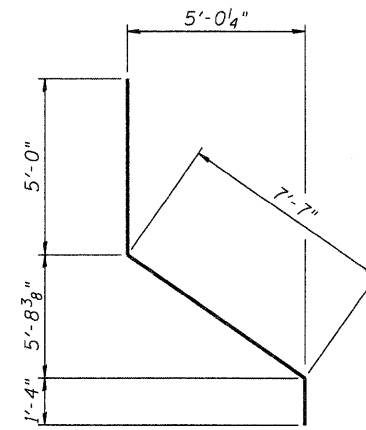
BAR U202(E), U203(E), U204(E), U206(E), U207(E), U302(E), U303(E), U304(E), U306(E) & U307(E).



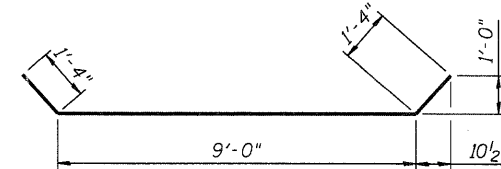
BAR d200(E) & d300(E)



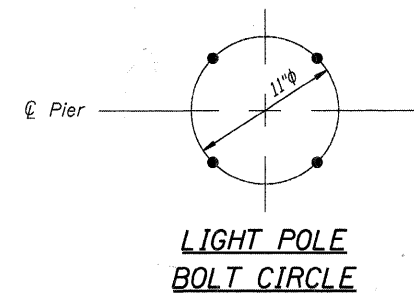
BAR v202(E) & v302(E)



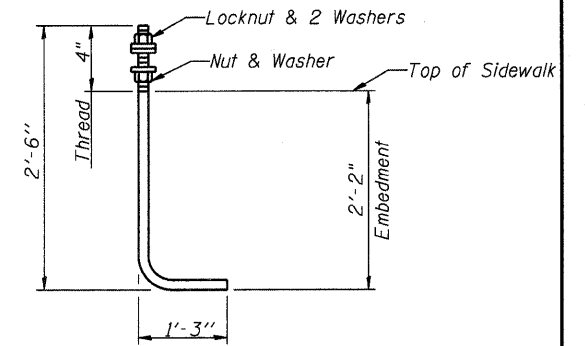
BAR v201(E) & v301(E)



BAR u205(E) & u305(E)



LIGHT POLE BOLT CIRCLE



ANCHOR ROD

3/4" Diameter, Galvanized (ASTM F 1554 Grade 105)  
 See Lighting Plan for installation details.  
 Cost included with Ornamental Light Unit, Complete

PIER 1 BILL OF MATERIAL

Bar	No.	Size	Length	Shape
d200 (E)	400	#4	1'- 4"	└
d201 (E)	130	#7	4'- 0"	—
h200 (E)	40	#5	39'- 6"	—
h201 (E)	170	#6	27'- 10"	—
h202 (E)	48	#6	30'- 7"	—
h203 (E)	14	#6	39'- 8"	—
U200 (E)	10	#4	14'- 11"	┌
U201 (E)	10	#4	17'- 6"	┌
U202 (E)	65	#5	21'- 4"	┌
U203 (E)	116	#5	13'- 0"	┌
U204 (E)	65	#5	16'- 10"	┌
U205 (E)	65	#5	11'- 8"	┌
U206 (E)	71	#5	7'- 10"	┌
U207 (E)	65	#5	7'- 1"	┌
V200 (E)	130	#7	13'- 0"	—
V201 (E)	130	#5	13'- 11"	└
V202 (E)	26	#4	14'- 0"	└
V203 (E)	236	#5	3'- 8"	—
V204 (E)	130	#7	12'- 3"	—
Cofferdam Excavation		Cu. Yd.	116.0	
Cofferdam (Location - 1)		Each	0.5	
Concrete Structures		Cu. Yd.	334.0	
Concrete Superstructure		Cu. Yd.	55.1	
Reinforcement Bars, Epoxy Coated		Pound	29,180	
Bar Splicers		Each	170	
Concrete Sealer		Sq. Ft.	200	

PIER 2 BILL OF MATERIAL

Bar	No.	Size	Length	Shape
d300 (E)	400	#4	1'- 4"	└
d301 (E)	130	#7	4'- 0"	—
h300 (E)	40	#5	39'- 6"	—
h301 (E)	170	#6	27'- 10"	—
h302 (E)	48	#6	30'- 7"	—
h303 (E)	14	#6	39'- 8"	—
U300 (E)	10	#4	14'- 11"	┌
U301 (E)	10	#4	17'- 6"	┌
U302 (E)	65	#5	21'- 4"	┌
U303 (E)	116	#5	13'- 0"	┌
U304 (E)	65	#5	16'- 10"	┌
U305 (E)	65	#5	11'- 8"	┌
U306 (E)	71	#5	7'- 10"	┌
U307 (E)	65	#5	7'- 1"	┌
V300 (E)	130	#7	13'- 0"	—
V301 (E)	130	#5	13'- 11"	└
V302 (E)	26	#4	13'- 0"	└
V303 (E)	236	#5	3'- 8"	—
V304 (E)	130	#7	12'- 3"	—
Cofferdam Excavation		Cu. Yd.	116.0	
Cofferdam (Location - 2)		Each	1	
Concrete Structures		Cu. Yd.	334.0	
Concrete Superstructure		Cu. Yd.	55.1	
Reinforcement Bars, Epoxy Coated		Pound	29,170	
Bar Splicers		Each	170	
Concrete Sealer		Sq. Ft.	200	

HRGREEN  
 PROJECT CONTACT: Michael G. Harding  
 CITY OF AURORA  
 86090272 #P040101.dgn  
 PLOT DRIVER: pdfcut  
 PEN TABLE: Struct 22x34.tbl



USER NAME = whood
PLOT SCALE = N.T.S.
PLOT DATE = 7/26/2011

DESIGNED - SSM
CHECKED - RGD
DRAWN - WJH
CHECKED -

REVISED -
REVISED -
REVISED -
REVISED -

CITY OF AURORA  
 DOWNER PLACE OVER THE WEST BRANCH  
 OF THE FOX RIVER

PIER DETAILS  
 STRUCTURE NO. 045-6006  
 SHEET NO. SW-42 OF SW-48 SHEETS

F.A. RTE.	SECTION	COUNTY	TOTAL SHEETS	SHEET NO.
	07-00264-00-BR	KANE	164	94
CONTRACT NO. 63620			ILLINOIS FED. AID PROJECT	