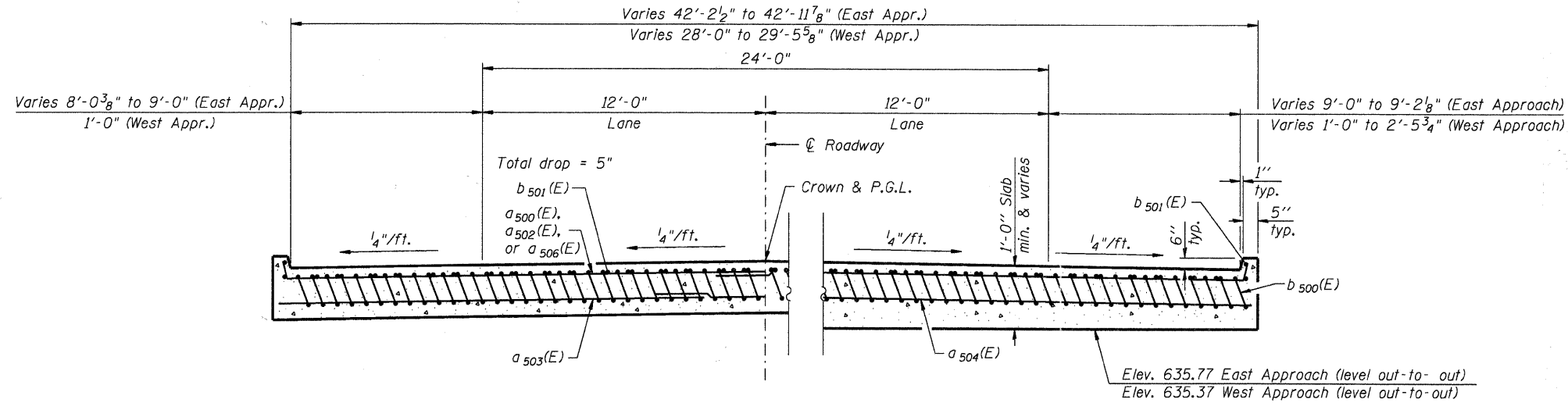
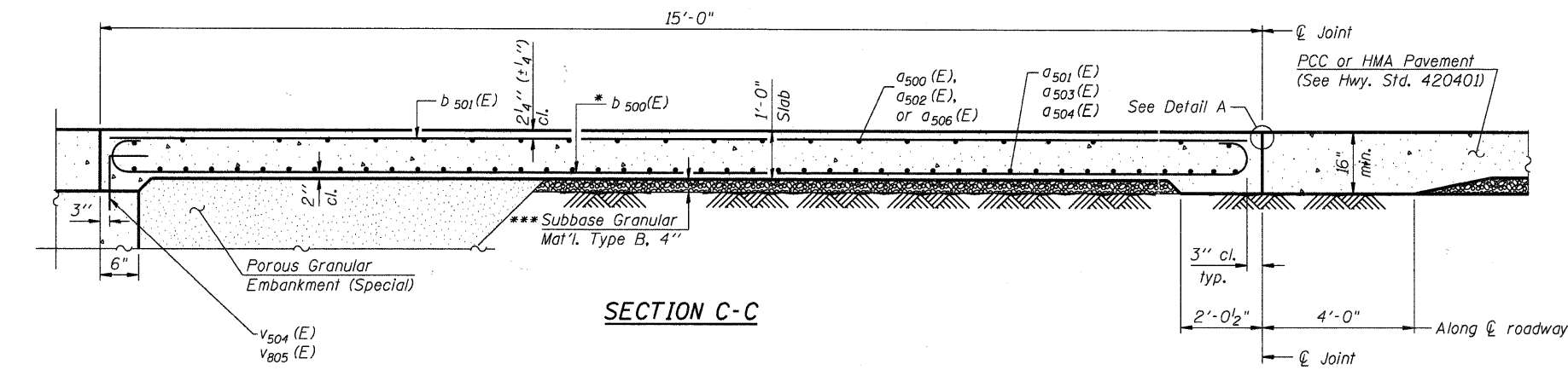


- Notes:
1. See previous sheet for Detail A and View B-B.
  2. Approach slab concrete shall be paid for as Concrete Superstructure.
  3. Reinforcement shall be paid for as Reinforcement Bars, Epoxy Coated.
  4. For v(E) bar details, see sheets SE-31 of SE-35.
  5. The approach footing maximum applied service bearing pressure ( $Q_{max}$ ) = 2.0 ksf.
  6. Cost of excavation for approach included with Concrete Superstructure.
  7. For Porous Granular Embankment (Special) and drainage treatment details, see sheet SE-3.



NEAR ABUTMENT

AT CONNECTOR PAVEMENT

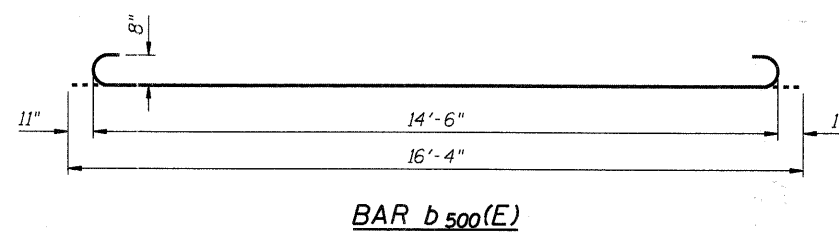
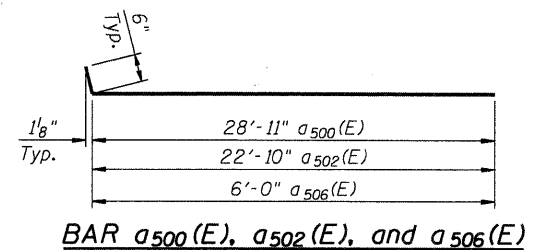
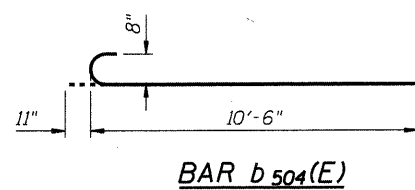
SECTION D-D

(See Plan for dimensions not shown)

**TWO APPROACHES  
BILL OF MATERIAL**

Bar	No.	Size	Length	Shape
a500(E)	13	#4	29'- 5"	—
a501(E)	24	#5	28'- 11"	—
a502(E)	26	#4	23'- 4"	—
a503(E)	24	#5	17'- 3"	—
a504(E)	24	#5	30'- 0"	—
a505(E)	46	#5	6'- 0"	—
a506(E)	13	#4	6'- 6"	—
b500(E)	142	#8	16'- 4"	—
b501(E)	63	#4	14'- 6"	—
Concrete Superstructure			Cu. Yd.	41.2
Bridge Deck Grooving			Sq. Yd.	108
Protective Coat			Sq. Yd.	119
Reinforcement Bars, Epoxy Coated			Pound	9,710

- \* Tilt #8 b500(E) bars as required to maintain clearance.  
 \*\*\* Cost included with Concrete Superstructure.



(Sheet 2 of 2)

COMPANY NAME: HRGreen  
 PROJECT CONTACT: Michael G. Harding  
 CLIENT: City of Aurora  
 DATE PLOTTED: 7/26/2011 11:04:01 AM  
 FILE NAME: 86090412-E-Ased02.dgn  
 PLOT DRIVER: pdfPlot  
 PLOT TABLE: Struct 22x34.tbl



USER NAME = whood	DESIGNED - KMA	REVISED -
PLOT SCALE = N.T.S.	CHECKED - RGD	REVISED -
PLOT DATE = 7/26/2011	DRAWN - WJH	REVISED -
	CHECKED -	REVISED -

**CITY OF AURORA  
 DOWNER PLACE OVER THE EAST BRANCH  
 OF THE FOX RIVER**

**BRIDGE APPROACH SLAB DETAILS  
 STRUCTURE NO. 045-6005**

SHEET NO. SE-9 OF SE-45 SHEETS

F.A. RTE.	SECTION	COUNTY	TOTAL SHEETS	SHEET NO.
	07-00264-00-BR	KANE	164	109
			CONTRACT NO. 63620	
ILLINOIS FED. AID PROJECT				