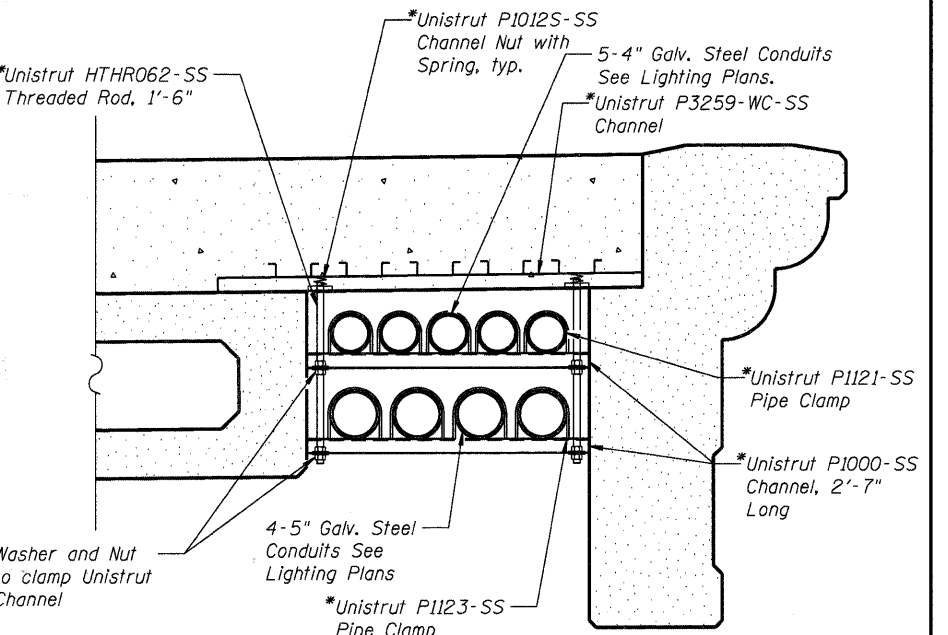


ANTICIPATED CONCRETE WEARING SURFACE PROFILE
 (For information only)
 Thickness is based on calculated camber and deflection of PPC Deck Beams. Actual camber of individual units may vary up to ±1/2". Adjust thickness to match PGL and cross slope.



DETAIL B BILL OF MATERIALS

Bar	No.	Size	Length	Shape
Q500	258	#4	28'-2"	—
Q501	320	#5	2'-1"	—
Q502	258	#4	5'-8"	—
Q503	320	#5	10'-4"	—
Q504	48	#5	6'-5"	—
Q505	20	#4	3'-6"	—
D500	466	#5	23'-4"	—
D501	44	#5	35'-0"	—
D502	2	#4	18'-9"	—
D503	32	#4	11'-0"	—
		Concrete Superstructure	Cu. Yd.	89.9
		Bridge Deck Grooving	Sq. Yd.	761
		Protective Coat	Sq. Yd.	1,206
		Reinforcement Bars, Epoxy Coated	Pound	23,550
		Bar Splicers	Each	258
		Concrete Wearing Surface, 5"	Sq. Yd.	715
		Silicone Joint Sealer, 1"	Foot	150

Note:
 * Unistrut Products and McMaster-Carr (or approved equal) included in the cost for Concrete Superstructure. See Special Provisions for approved equal.

COMPANY NAME: HRGREEN
 PROJECT CONTACT: Michael G. Harding
 DATE PLOTTED: 7/26/2011 10:46:45 AM
 FILE NAME: 8699472-w-SS04.dwg
 PLOT DRIVER: pdfcut
 PEN TABLE: Struct 22x34.tbl

HRGreen
 HRGreen.com
 Illinois Professional Design Firm
 #184-001322

USER NAME = whood	DESIGNED - JPC	REVISED -
PLOT SCALE = N.T.S.	CHECKED - RGD	REVISED -
PLOT DATE = 7/26/2011	DRAWN - WJH	REVISED -
	CHECKED -	REVISED -

USER NAME = whood	DESIGNED - JPC	REVISED -
PLOT SCALE = N.T.S.	CHECKED - RGD	REVISED -
PLOT DATE = 7/26/2011	DRAWN - WJH	REVISED -
	CHECKED -	REVISED -

CITY OF AURORA
DOWNER PLACE OVER THE EAST BRANCH
OF THE FOX RIVER

SUPERSTRUCTURE DETAILS
STRUCTURE NO. 045-6005
 SHEET NO. SE-11 OF SE-45 SHEETS

F.A. RTE.	SECTION	COUNTY	TOTAL SHEETS	SHEET NO.
	07-00264-00-BR	KANE	164	111
CONTRACT NO. 63620			ILLINOIS FED. AID PROJECT	