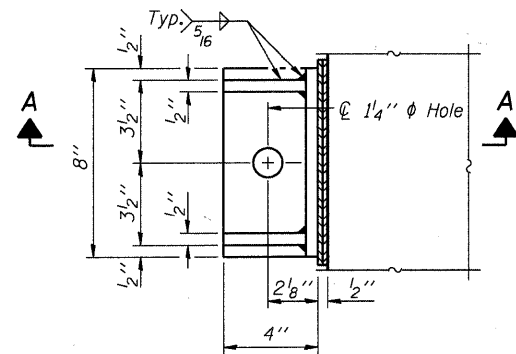


SECTION A-A

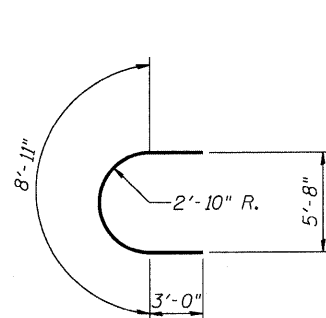
1" ϕ x 12" anchor bolt with 2 1/2" x 2 1/2" x 5/16" washer under nut. Holes in cap to be drilled after beams are in place.



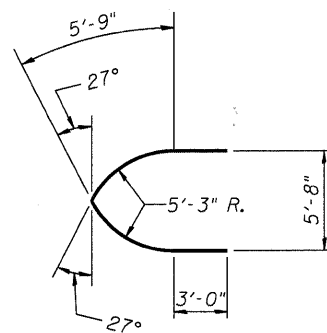
PLAN

Notes:

Cost of retainer and accessories are included with Precast Prestressed Concrete Deck Beams. Equivalent rolled angle with stiffeners will be allowed in lieu of welded plates. The side retainers shall be galvanized after shop fabrication according to AASHTO M 111 and ASTM 385. Anchor bolts and plate washers shall be galvanized according to AASHTO M 232. After the notch or concrete overlay are poured and cured, the steel wedges shall be removed.



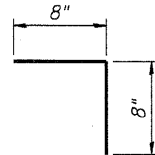
BAR U600(E) & U700(E)



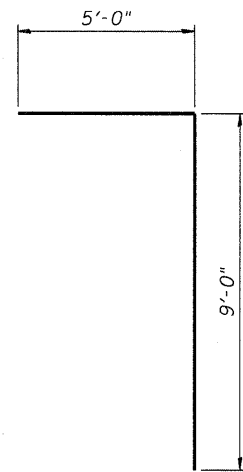
BAR U601(E) & U701(E)

	U602(E) & U702(E)	14'-6"	U602(E) & U702(E)	3'-6"
	U603(E) & U703(E)	9'-8"	U603(E) & U703(E)	1'-8"
	U604(E) & U704(E)	14'-2"	U604(E) & U704(E)	1'-4"
	U606(E) & U706(E)	5'-10"	U606(E) & U706(E)	1'-0"
	U607(E) & U707(E)	4'-5"	U607(E) & U707(E)	1'-4"

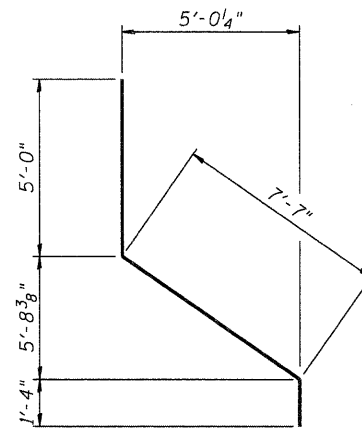
BAR U602(E), U603(E), U604(E), U606(E), U607(E), U702(E), U703(E), U704(E), U706(E) & U707(E).



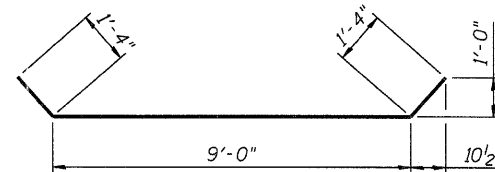
BAR d600(E) & d700(E)



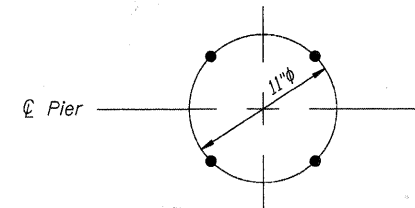
BAR v602(E) & v702(E)



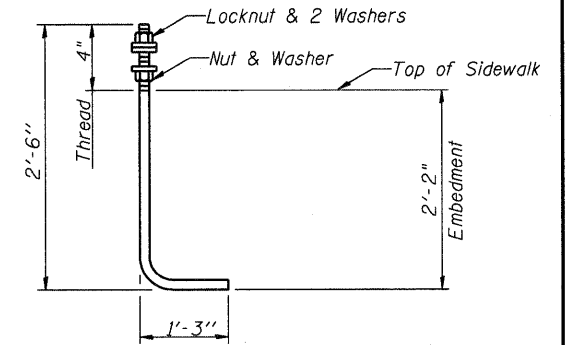
BAR v601(E) & v701(E)



BAR U605(E) & U705(E)



LIGHT POLE BOLT CIRCLE



ANCHOR ROD

3/4" Diameter, Galvanized (ASTM F 1554 Grade 105). See Lighting Plan for installation details. Cost included with Ornamental Light Unit, Complete.

PIER 1 BILL OF MATERIAL

Bar	No.	Size	Length	Shape
d600 (E)	400	#4	1'-4"	└
d601 (E)	134	#7	4'-0"	—
v600 (E)	32	#5	42'-0"	—
v601 (E)	170	#6	28'-5"	—
v602 (E)	24	#6	31'-3"	—
v603 (E)	14	#6	42'-0"	—
U600 (E)	8	#4	14'-11"	C
U601 (E)	10	#4	17'-6"	C
U602 (E)	67	#5	21'-6"	┌
U603 (E)	122	#5	13'-0"	┌
U604 (E)	67	#5	16'-10"	┌
U605 (E)	67	#5	11'-8"	┌
U606 (E)	73	#5	7'-10"	┌
U607 (E)	67	#5	7'-1"	┌
V600 (E)	134	#7	13'-0"	—
V601 (E)	134	#5	13'-11"	└
V602 (E)	30	#4	11'-0"	└
V603 (E)	244	#5	3'-6"	—
V604 (E)	134	#7	12'-2"	—
Cofferdam Excavation		Cu. Yd.	120.0	
Cofferdam (Location - 5)		Each	1	
Concrete Structures		Cu. Yd.	341.3	
Concrete Superstructure		Cu. Yd.	56.1	
Reinforcement Bars, Epoxy Coated		Pound	28,510	
Bar Splicers		Each	170	
Concrete Sealer		Sq. Ft.	204	

PIER 2 BILL OF MATERIAL

Bar	No.	Size	Length	Shape
d700 (E)	400	#4	1'-4"	└
d701 (E)	134	#7	4'-0"	—
v700 (E)	32	#5	42'-0"	—
v701 (E)	170	#6	28'-5"	—
v702 (E)	24	#6	31'-3"	—
v703 (E)	14	#6	42'-0"	—
U700 (E)	8	#4	14'-11"	C
U701 (E)	10	#4	17'-6"	C
U702 (E)	67	#5	21'-6"	┌
U703 (E)	122	#5	13'-0"	┌
U704 (E)	67	#5	16'-10"	┌
U705 (E)	67	#5	11'-8"	┌
U706 (E)	73	#5	7'-10"	┌
U707 (E)	67	#5	7'-1"	┌
V700 (E)	134	#7	13'-0"	—
V701 (E)	134	#5	13'-11"	└
V702 (E)	30	#4	11'-0"	└
V703 (E)	244	#5	3'-6"	—
V704 (E)	134	#7	12'-2"	—
Cofferdam Excavation		Cu. Yd.	120	
Cofferdam (Location - 6)		Each	0.5	
Concrete Structures		Cu. Yd.	341.3	
Concrete Superstructure		Cu. Yd.	56.1	
Reinforcement Bars, Epoxy Coated		Pound	28,510	
Bar Splicers		Each	170	
Concrete Sealer		Sq. Ft.	204	

HRGreen
1100 Professional Design Firm
#104-01322

USER NAME = whood
DESIGNED - JMW
CHECKED - RGD
PLOT SCALE = N.T.S.
PLOT DATE = 7/26/2011

DESIGNED - JMW
CHECKED - RGD
DRAWN - WJH
CHECKED -

CITY OF AURORA
DOWNER PLACE OVER THE EAST BRANCH
OF THE FOX RIVER

PIER DETAILS
STRUCTURE NO. 045-6005

SHEET NO. SE-42 OF SE-45 SHEETS

F.A. RTE.	SECTION	COUNTY	TOTAL SHEETS	SHEET NO.
	07-00264-00-BR	KANE	164	142
CONTRACT NO. 63620				
ILLINOIS FED. AID PROJECT				