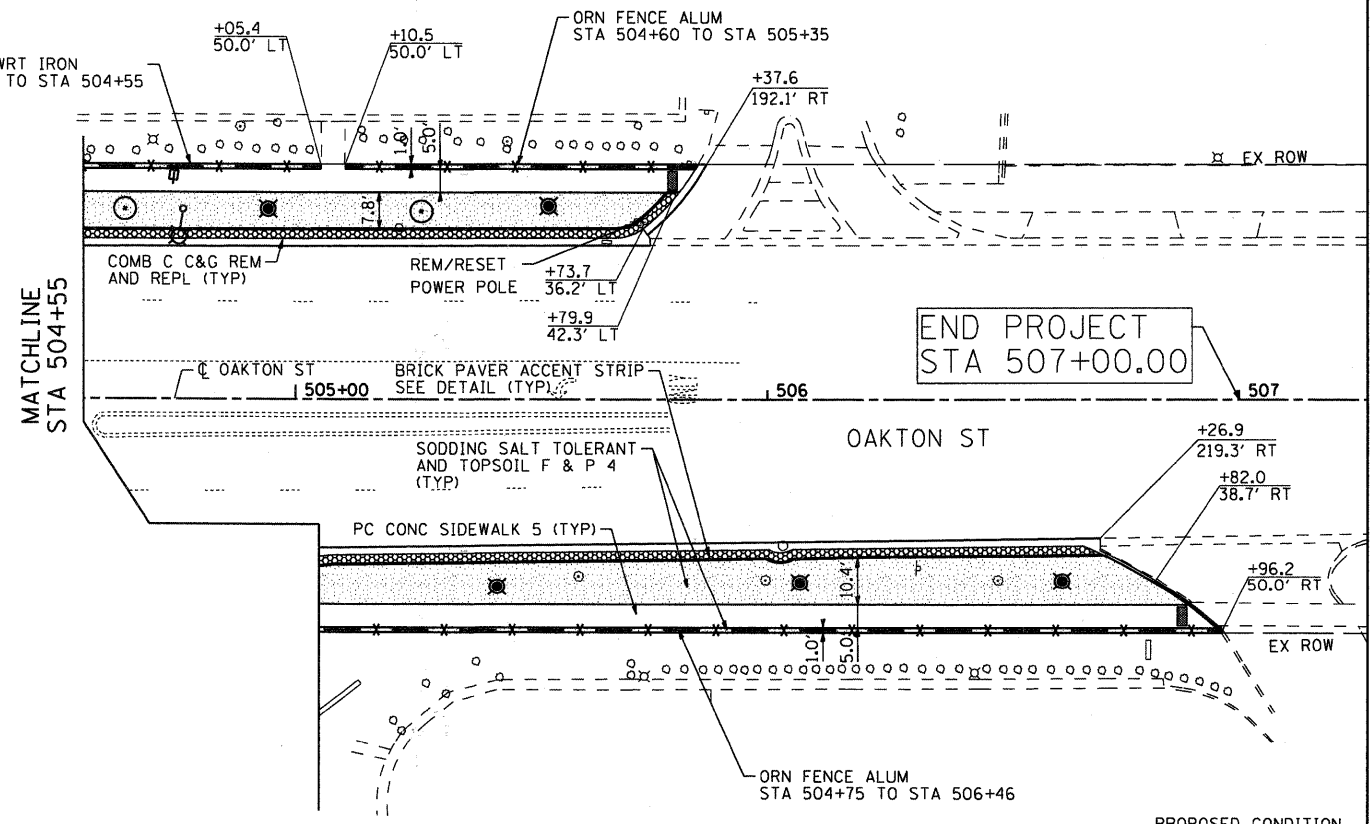
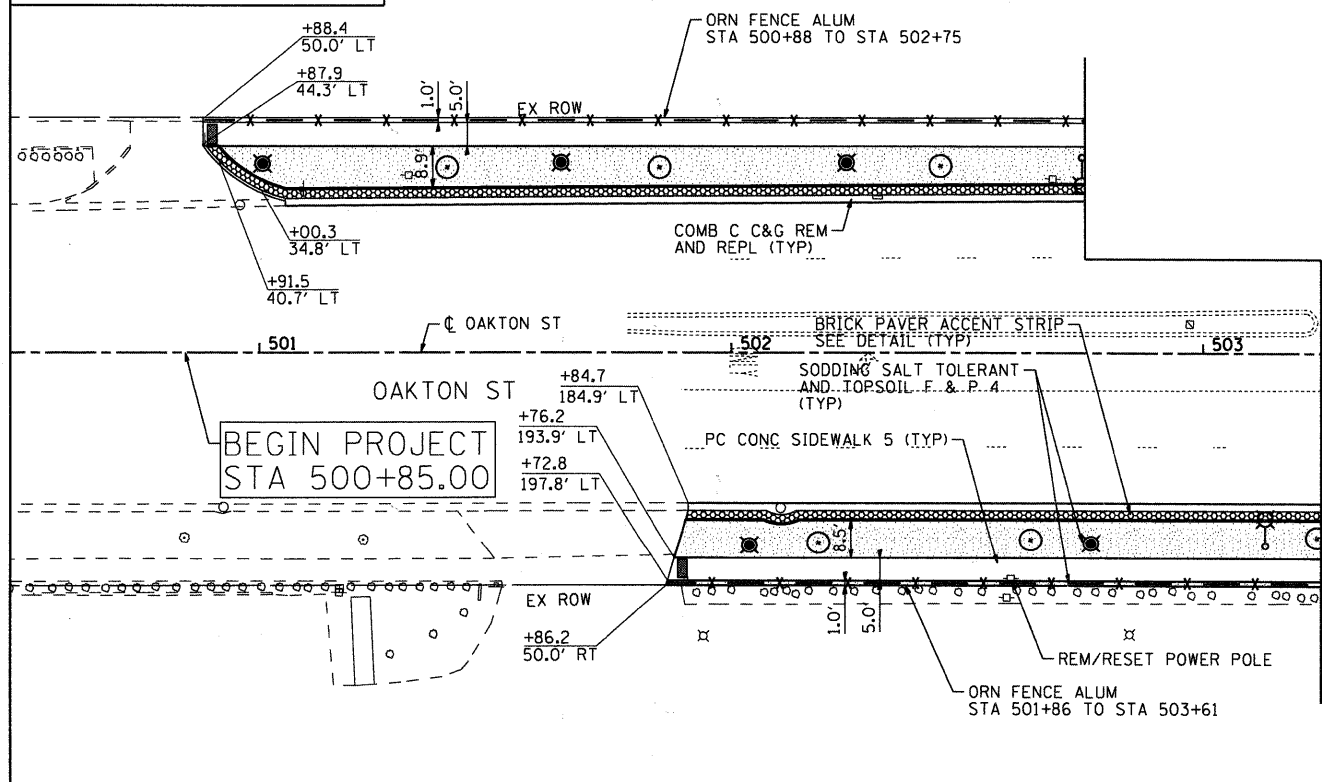


LEGEND:
SCALE 1" = 20'

- COMB CONC CURB & GUTTER REM AND REPL
- TREE REMOVAL (WITH SIZE)
- DRIVEWAY PAVEMENT REMOVAL
- SIDEWALK REMOVAL
- EXISTING LIGHT POLE
- PAINT EX LIGHT POLE UNIT
- FRAMES AND LIDS TO BE ADJUSTED
- ORNAMENTAL FENCE, ALUMINIUM
- PROPOSED PEDESTRIAN LIGHT
- PROPOSED STREET LIGHT
- ARISTOCRAT PEAR-PYRUS (CRYANA ARISTOCRAT)
- SKYLINE HONEYLOCUST (GLEDITSIA TRIACANTHOS INERMAS 'SKYLINE')
- PROPOSED PAVER ACCENT STRIP OR PLAZA AREA (SEE DETAIL)
- PROPOSED TOPSOIL FURNISH AND PLACE, 4" AND SODDING
- CURB RAMP WITH DETECTABLE WARNINGS

NOTES:
1. ALL EXISTING PAVEMENT MARKINGS TO REMAIN UNLESS OTHERWISE NOTED.
2. PROPOSED TREES TO BE PLACED AT 45' SPACING AS DETERMINED BY THE ENGINEER. APPROXIMATE LOCATIONS SHOWN.
3. ALL SLOPES FOR DRIVEWAYS ASSUME SIDEWALK IS PLACED AT 2% OR FLATTER CROSS SLOPE.



COMPANY NAME: HRGreen
PROJECT CONTACT: HRGreen
CLIENT: ILLINOIS DEPARTMENT OF TRANSPORTATION
DATE: 7/20/2011
PLOT DRIVER: JLP



USER NAME = Charika	DESIGNED - CMH	REVISED -
PLOT SCALE = 1"=20'	DRAWN - CMH	REVISED -
PLOT DATE = 7/20/2011	CHECKED - JLP	REVISED -
	DATE -	REVISED -

**STATE OF ILLINOIS
DEPARTMENT OF TRANSPORTATION**

**MILWAUKEE AVENUE
STREETSCAPE AND LANDSCAPE PLAN**
SCALE: 1"=20' SHEET NO. 14 OF 14 SHEETS STA. TO STA.

F.A.P. RTE. 374	SECTION 10-00111-00-LS	COUNTY COOK	TOTAL SHEETS 62	SHEET NO. 23
FED. ROAD DIST. NO. ILLINOIS FED. AID PROJECT		CONTRACT NO. 63622		