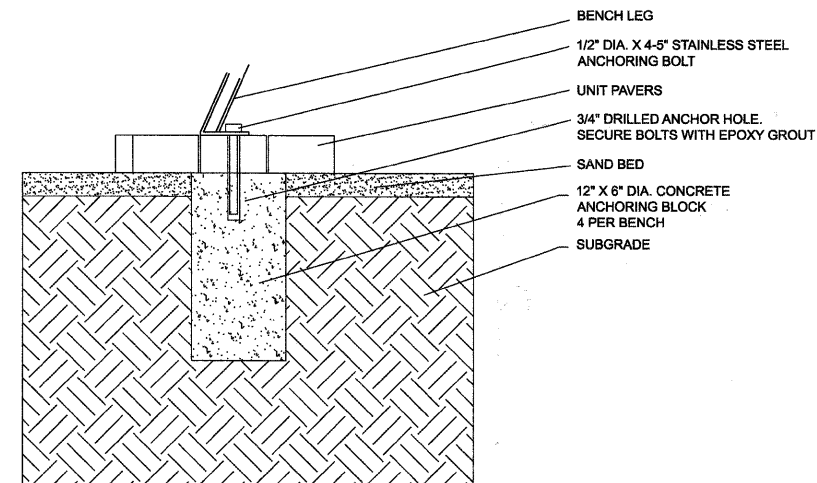


TYPICAL BENCH DETAIL

SCALE: N.T.S.



MANUFACTURER: SITESCAPES OR APPROVED EQUAL

PRODUCT: Cityview Cast End Backed Bench CV1-1010DF OR APPROVED EQUAL

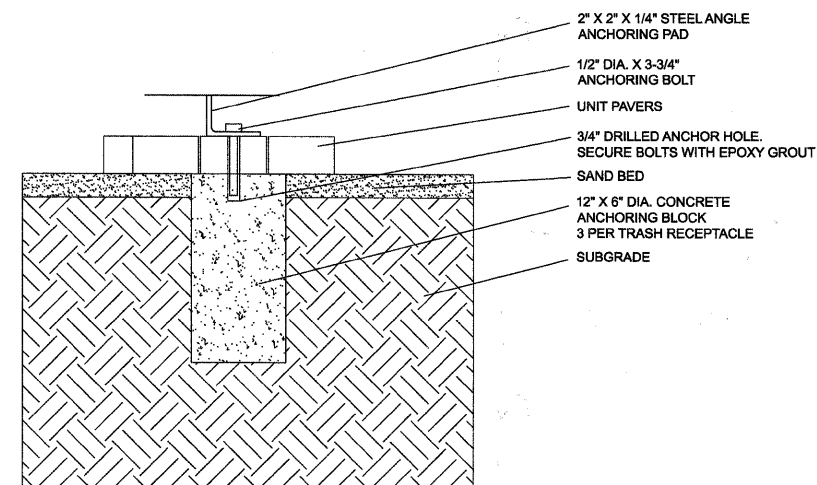
COLOR: Onyx

LENGTH: 6'-0"

FINISH: Duracoat

MATERIAL LIST:

1. Seat straps - 5/16" x 1 1/2" steel flat bar.
2. Support pipes - Ø 1.315" x .133" steel pipe.
3. End units - 1 1/4" cast iron with 9/16" mounting holes.
4. Mounted with four Ø 1/2" x 4-5" stainless steel anchor bolts (customer supplied).



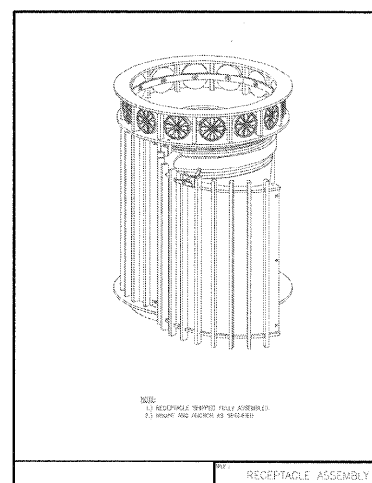
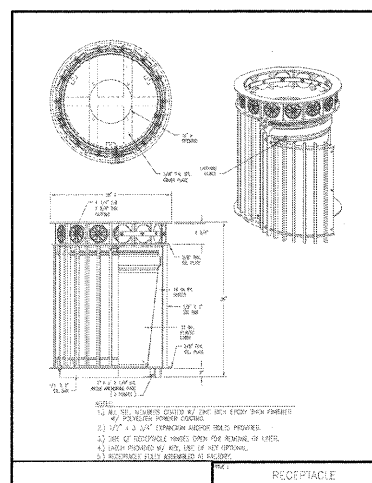
MANUFACTURER: DuMor, Inc. OR APPROVED EQUAL

PRODUCT: Receptacle 102-32SH-FTO OR APPROVED EQUAL

COLOR: Black

SIZE: 32 Gallon

FINISH: Powder Coat



BENCH ANCHOR DETAIL

SCALE: N.T.S.

TYPICAL TRASH RECEPTACLE DETAIL

SCALE: N.T.S.

COMPANY NAME: HRGreen
 PROJECT CONTACT: HRGreen
 DATE PLOTTED: 7/20/2011 4:17:49 PM
 FILE NAME: 86100065-isp001-05.dgn
 PLOT DRIVER: pdf.plt
 PEN TABLE: standard-trans.tbl



USER NAME = Char-ke	DESIGNED - PS	REVISED -
DRAWN - CMH	REVISIONS -	
CHECKED - JLP	REVISIONS -	
DATE -	REVISIONS -	
PLOT SCALE = NTS		
PLOT DATE = 7/20/2011		

**STATE OF ILLINOIS
DEPARTMENT OF TRANSPORTATION**

**MILWAUKEE AVENUE
LANDSCAPE DETAILS**

F.A.P. RTE.	SECTION	COUNTY	TOTAL SHEETS	SHEET NO.
374	10-00111-00-LS	COOK	62	27
FED. ROAD DIST. NO. [ILLINOIS] FED. AID PROJECT			CONTRACT NO.	63622

SCALE: NTS SHEET NO. 5 OF 6 SHEETS STA. TO STA.