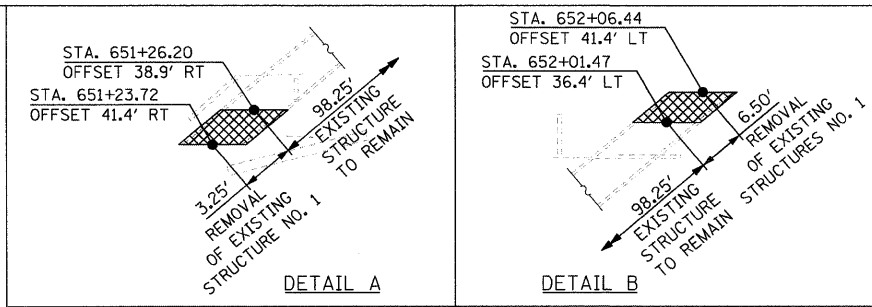


STA/OFF CALLOUTS SHOWN IN DETAILS 'A' AND 'B' ARE ALONG THE CENTERLINE OF THE CULVERT



WILLIAM RUTHERFORD
05-08-200-003

EXISTING STRUCTURE (S.N. 037-1184), STA. 651+65.08 SINGLE 8' X 5', R.C. BOX CULVERT 108' LONG, 40° SKEW (88'-0" OF EXISTING STRUCTURE TO REMAIN)

GUARDRAIL REMOVAL
STA. 651+40 TO STA. 654+37.62

FURNISHING AND ERECTING RIGHT OF WAY MARKERS (TYP.)

PROPOSED R.O.W.

PROPOSED TOE OF SLOPE

UNNAMED DRAINAGE DITCH

MATCH LINE STA. 648+00.00

MATCH LINE STA. 654+00.00

FAP 585 (IL RTE 92)

FAP 585 (IL RTE 92)

EXISTING AGGREGATE SHOULDER
EXISTING EDGE OF PAVEMENT

EXISTING R.O.W.

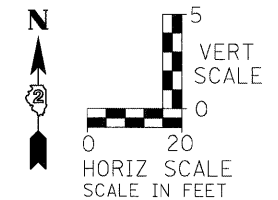
BOX-CULVERT END SECTIONS, CULVERT NO. 1

PIPE CULVERT REMOVAL

GUARDRAIL REMOVAL
STA. 649+00 TO STA. 653+00

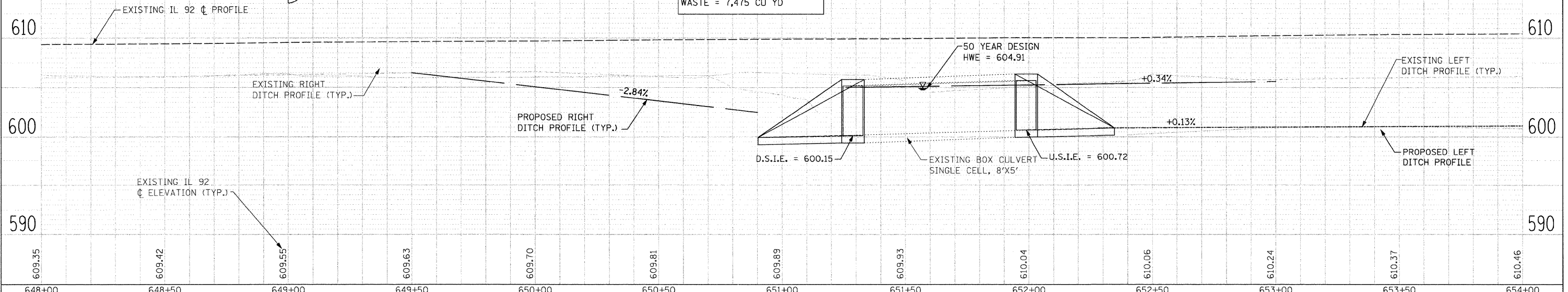
MELVIN & MERLENE SADD
05-17-100-003

MELVIN & MERLENE SADD
05-17-100-003



NOTE: REFER TO SHEET 65 TO 67 FOR CULVERT DETAILS.

STA. 648+50 TO STA. 667+00
 EARTH EX. = 14,585 CU YD
 EMBANKMENT = 3,465 CU YD
 WASTE = 7,475 CU YD



609.35	609.42	609.55	609.63	609.70	609.81	609.89	609.93	610.04	610.06	610.24	610.37	610.46
648+00	648+50	649+00	649+50	650+00	650+50	651+00	651+50	652+00	652+50	653+00	653+50	654+00

1170 SOUTH HOUBOLT ROAD
JOLIET, ILLINOIS 60431
(815) 744-4200

USER NAME = brianf
 DESIGNED -
 CHECKED -
 DRAWN -
 PLOT DATE = 7/19/2011

REVISED -
 REVISED -
 REVISED -
 REVISED -

STATE OF ILLINOIS
DEPARTMENT OF TRANSPORTATION

PLAN AND PROFILE - CULVERT /DITCH
 SCALE: AS SHOWN SHEET NO. OF SHEETS STA. 648+00.00 TO STA. 654+00.00

F.A.P. RTE. 585	SECTION 128 BR	COUNTY HENRY	TOTAL SHEETS 106	SHEET NO. 22
CONTRACT NO. 64C20			ILLINOIS FED. AID PROJECT	

DATE	
BY	
PLAN	
FILE	
NOTE	
NO.	

DATE	
BY	
FILE	
NOTE	
NO.	

FILE NAME = m:\p1\63800-63900\6346\627\micro\shat\shat.p1\p15.dgn