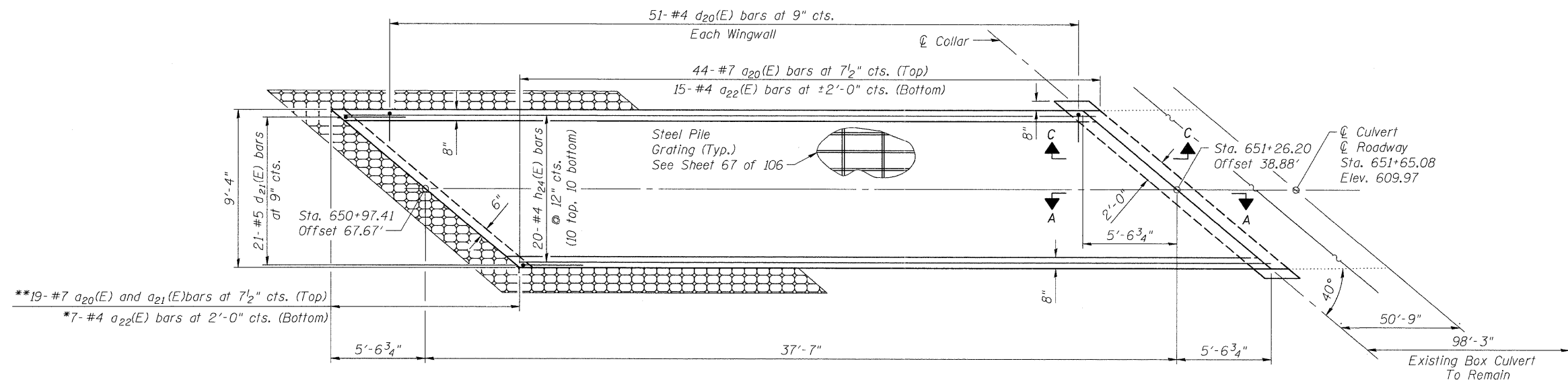
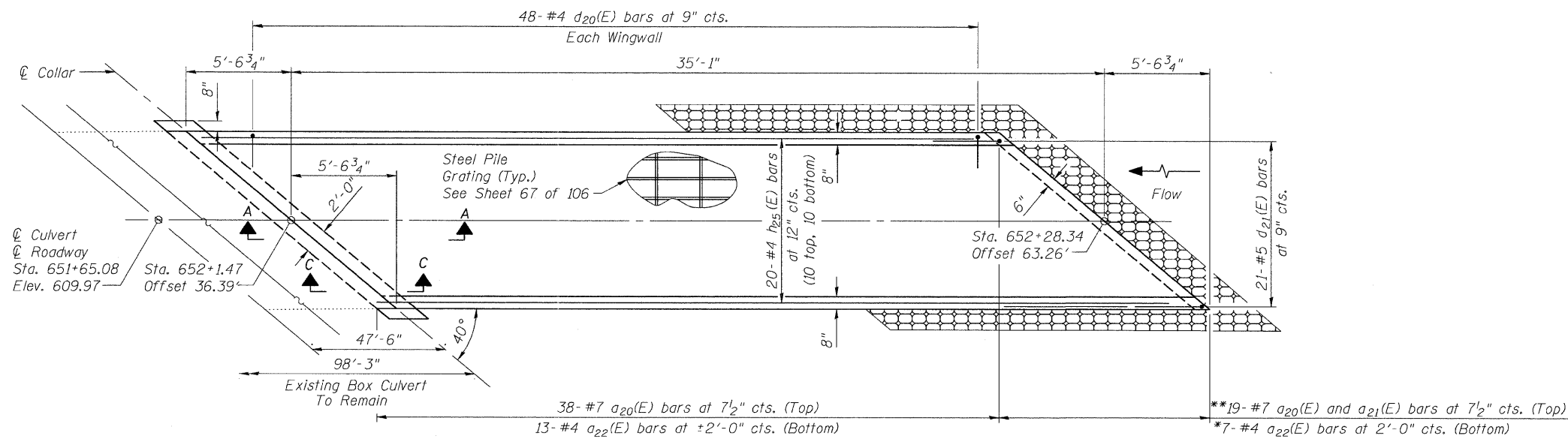


**GENERAL NOTES**

Reinforcement bars shall conform to the requirements of ASTM A 706 Gr 60. See Special Provisions.  
Reinforcement bars designated (E) shall be epoxy coated.



**PLAN - BOTTOM SLAB SOUTH WINGWALL**



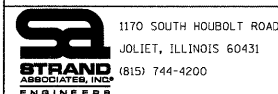
**PLAN - BOTTOM SLAB NORTH WINGWALL**

\* Order a22(E) bars full length. Cut to fit skew and use remainder of bars at opposite end

\*\* Order a20(E) bars full length. Cut to fit skew and use remainder of bars at opposite end. Lap with a21(E) bars. Rotate at corner to fit.

See sheet 66 of 106 for Section A-A and Section C-C.

FILE NAME = s:\j\6300-6399\6346\02\inprova\1\plans\structural\0370174-64C20-019-CB01.dgn



USER NAME = brianf	DESIGNED MJD	REVISED -
PLLOT SCALE =	CHECKED AJS	REVISED -
PLLOT DATE = 7/19/2011	DRAWN BJF	REVISED -
	CHECKED MJD	REVISED -

**STATE OF ILLINOIS  
DEPARTMENT OF TRANSPORTATION**

**WINGWALL DETAILS (1 OF 2)  
STRUCTURE NO. 037-1184**

SHEET NO. 1 OF 3 SHEETS

F.A.P. RTE.	SECTION	COUNTY	TOTAL SHEETS	SHEET NO.
585	128 BR	HENRY	106	65
CONTRACT NO. 64C20				

ILLINOIS FED. AID PROJECT