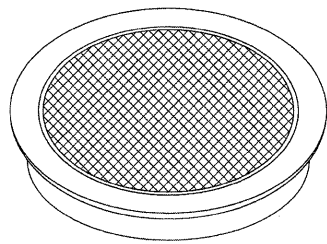
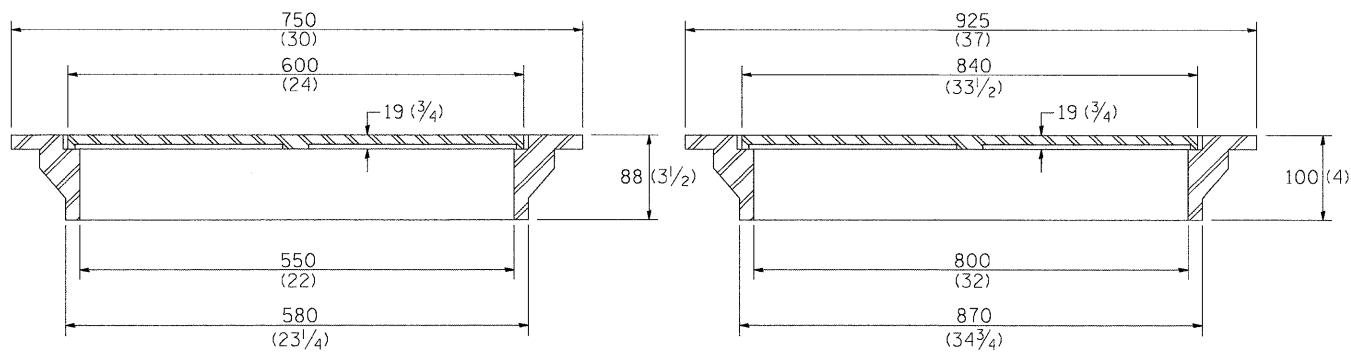


# FIELD TILE JUNCTION VAULTS 600 (24) AND 900 (36) DIA.

FRAME & LID FOR  
600 (24) VAULT

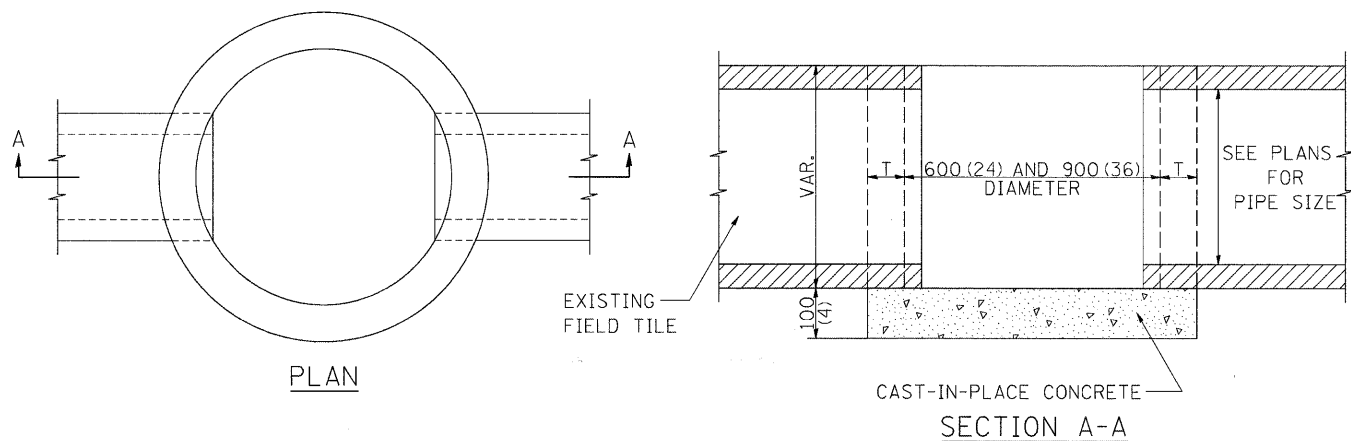


FRAME & LID FOR  
900 (36) VAULT



TOTAL WEIGHT: 66 Kg (146 lbs)

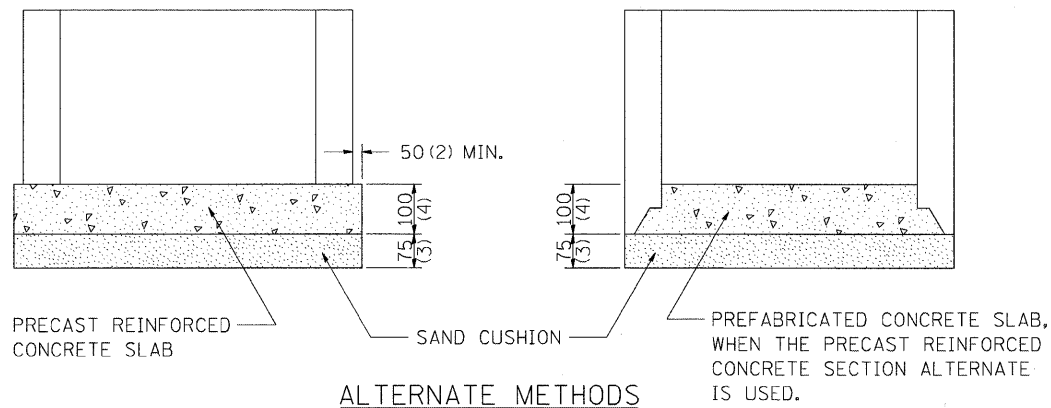
TOTAL WEIGHT: 127 Kg (280 lbs)



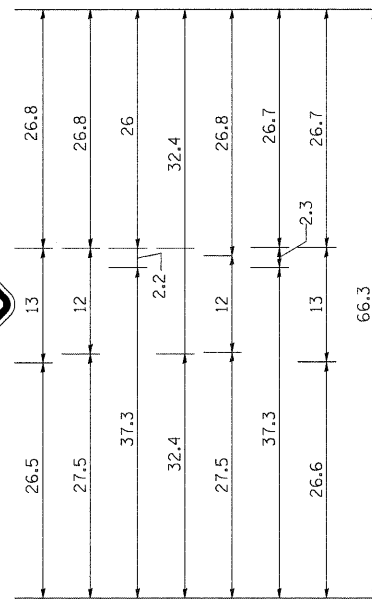
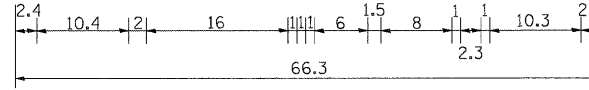
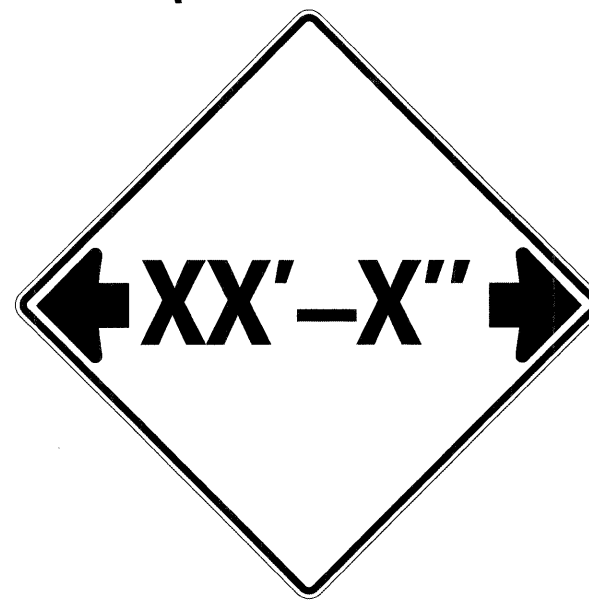
ALTERNATE MATERIALS FOR WALLS	T
BRICK MASONRY	200 (8)
CAST-IN-PLACE CONCRETE	150 (6)
CONCRETE MASONRY UNIT	125 (5)
PRECAST REINFORCED CONCRETE SECTION	75 (3)

NOTE: THE FRAME AND LID IS REQUIRED ON ALL JUNCTION VAULTS.

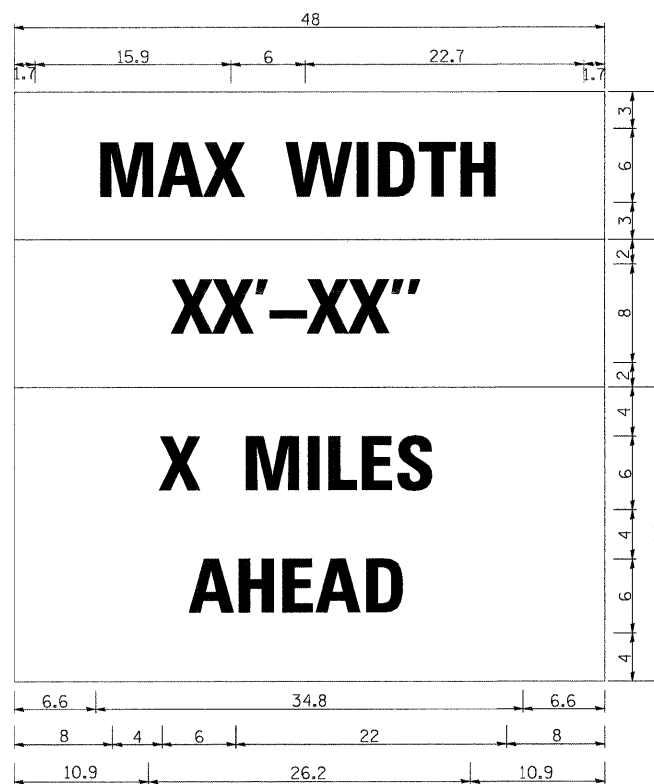
ALL DIMENSIONS ARE IN MILLIMETERS (INCHES) UNLESS OTHERWISE NOTED.



# INFORMATIONAL WARNING SIGN (FOR NARROW TRAVEL LANES)



NOTES  
W12-2 - Horizontal Clearance Sign  
48.0" across sides, 1.9" Radius,  
0.8" Border, 0.5" Indent, Black on  
Orange; Standard Arrow Custom  
10.4" X 8.1" 180° Black 11 Inch  
D Series Lettering; Standard Arrow  
Custom 10.4" X 8.1" 0°



W12-I103 (Width Is 8D);  
No border, Black on White;  
[MAX WIDTH] D;  
  
No border, Black on Orange;  
[XX'-XX''] D;  
  
No border, Black on White;  
[X MILES] D; [AHEAD] D;

All work to furnish and install these signs shall be included in the cost of the Traffic Control Standards and shall not be paid for separately.

ALL DIMENSIONS ARE IN INCHES UNLESS OTHERWISE NOTED.

REVISED - 5-03-94

REVISION	DATE	DESCRIPTION	F.A.P. RTE.	SECTION	COUNTY	TOTAL SHEETS	SHEET NO.
REVISEREVISED-09			585	128 BR	HENRY	106	70
REVISEREVISED-09							
REVISEREVISED-09							
REVISEREVISED-09							

SCALE: 1:20000 / IN. SHEET NO. OF SHEETS STA. TO STA. CONTRACT NO. 64C20

FED. ROAD DIST. NO. 2 ILLINOIS FED. AID PROJECT