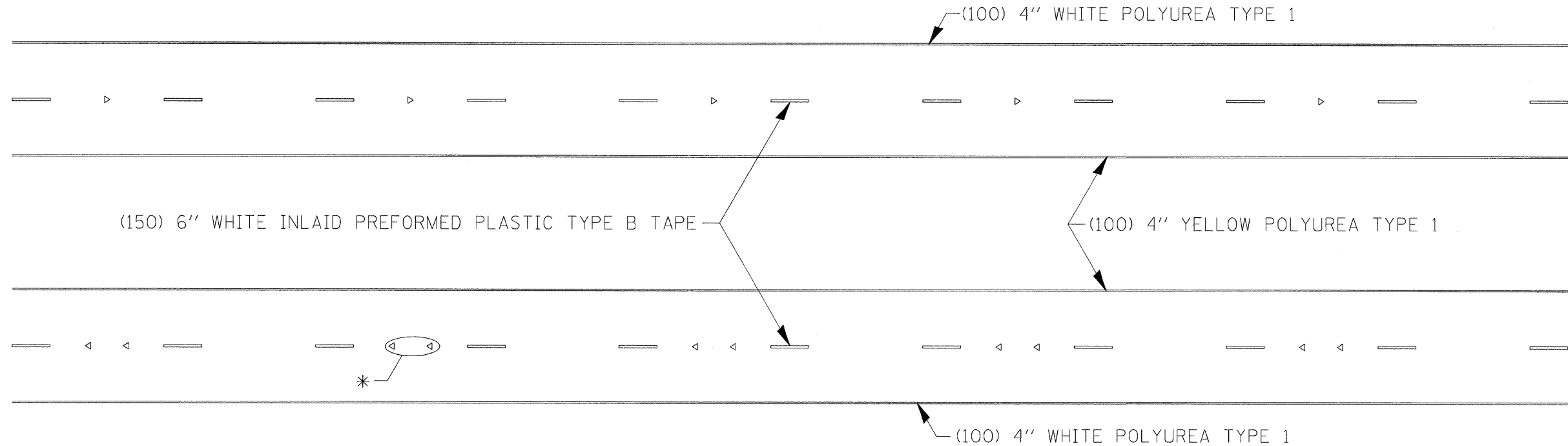
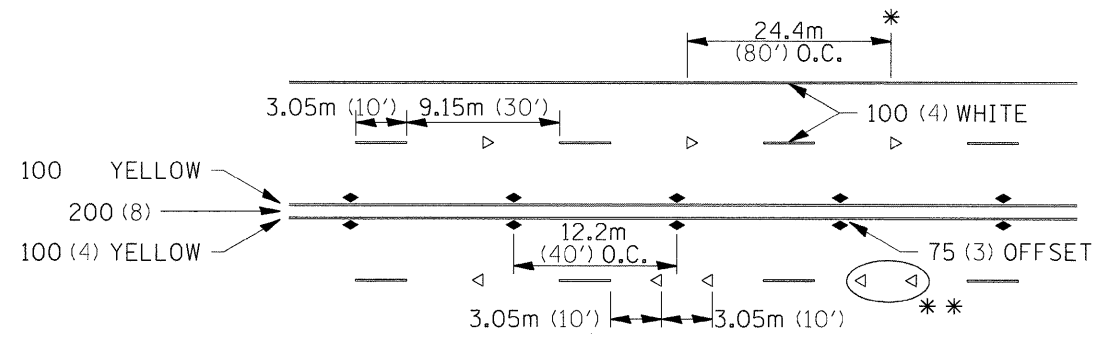


# TYPICAL PAVEMENT MARKINGS



\* SEE HIGHWAY STANDARD 781001 FOR SPACING DETAILS.  
USE DOUBLE MARKERS WHEN ADT  $\geq$  25,000.

## MULTI-LANE / DIVIDED

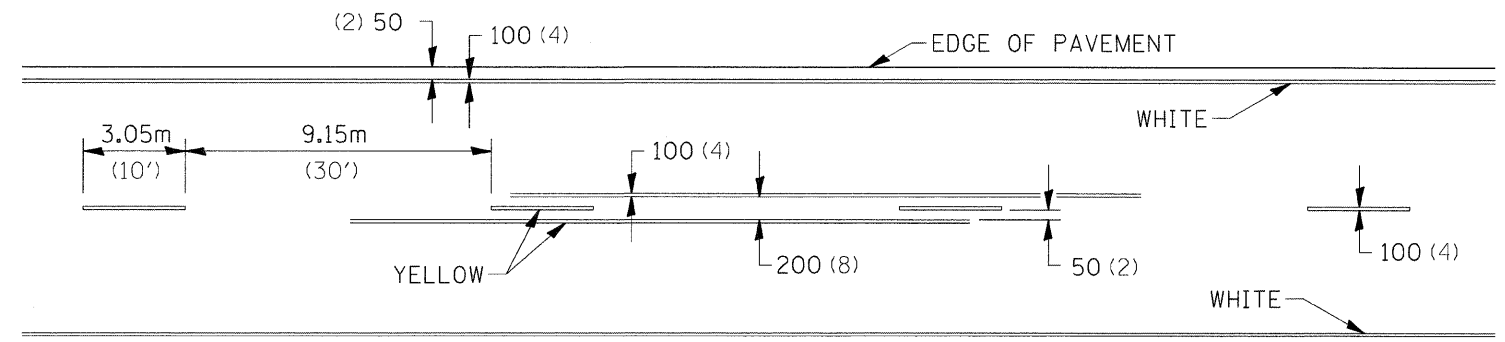


- \* REDUCE TO 12.2m (40') O.C. ON CURVES WHERE ADVISORY SPEEDS ARE 15km/h (10MPH) LOWER THAN POSTED SPEEDS.
- \*\* USE DOUBLE MARKERS WHEN ADT  $\geq$  25,000

## MULTI-LANE / UNDIVIDED

(FOR MULTI-LANE UNDIVIDED HIGHWAYS USE THIS  
DETAIL NOT HIGHWAY STANDARD 781001)

## TYPICAL PAVEMENT MARKING FOR TWO LANE SECTION - NO PASSING ZONES



### SYMBOLS

|   |   |                       |                               |   |   |  |  |  |                       |                   |                 |                        |                    |
|---|---|-----------------------|-------------------------------|---|---|--|--|--|-----------------------|-------------------|-----------------|------------------------|--------------------|
| FILE NAME =<br>st\joi\6300--6399\6346\027\micro\sh\sh | USER NAME = brianf<br>t-districtdetails.dgn | DESIGNED -<br>DRAWN - | REVISED - 4-4-11<br>REVISED - | <b>STATE OF ILLINOIS<br/>DEPARTMENT OF TRANSPORTATION</b> | <b>REGION 2 / DISTRICT 2 STANDARD</b>           |  |  |  | F.A.P.<br>RTE.<br>585 | SECTION<br>128 BR | COUNTY<br>HENRY | TOTAL<br>SHEETS<br>106 | SHEET<br>NO.<br>76 |
|   |   |                       |                               |   |   |  |  |  | SCALE:                | SHEET NO.         | OF              | SHEETS                 | STA.               |
|   |   |                       |                               |   | FED. ROAD DIST. NO. 2 ILLINOIS FED. AID PROJECT |  |  |  |                       |                   |                 |                        |                    |
|   |   |                       |                               |   |   |  |  |  |                       |                   |                 |                        |                    |