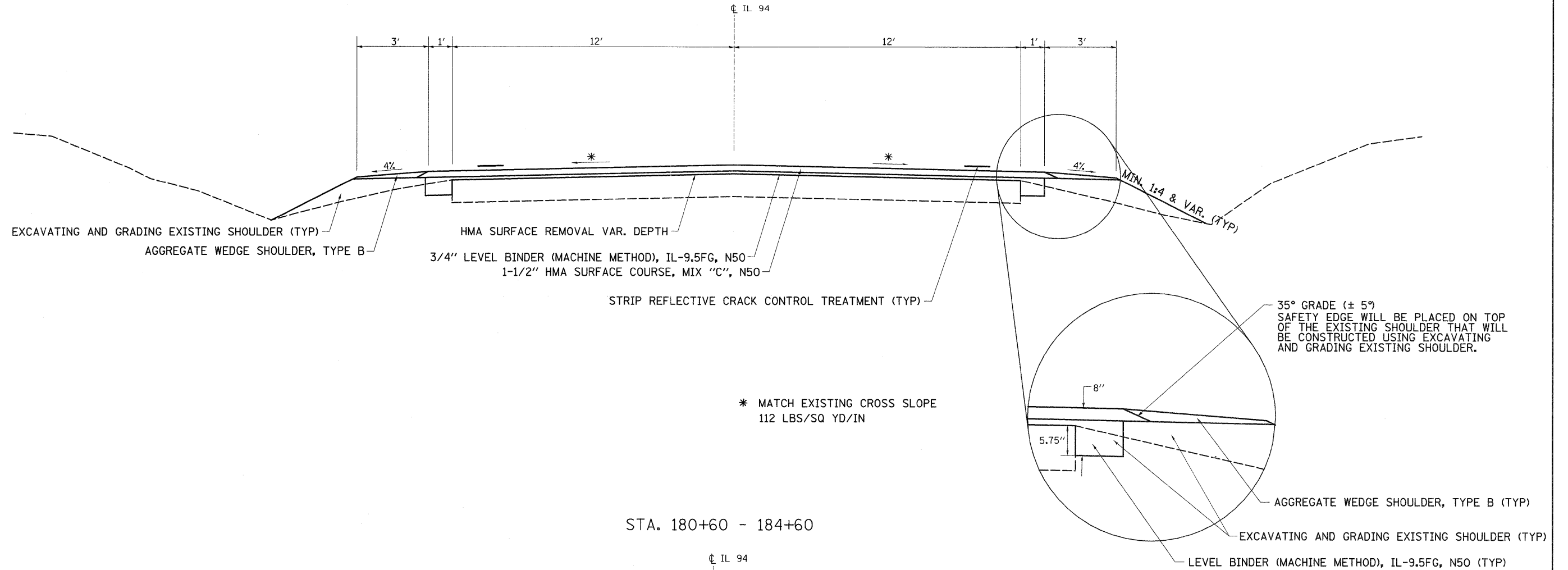
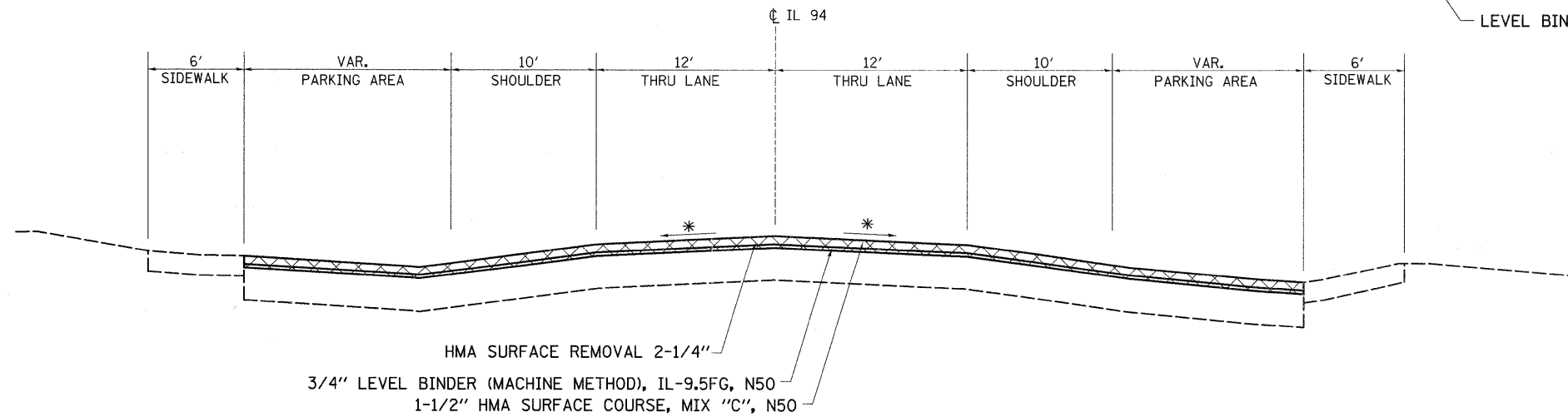


TYPICAL SECTIONS

STA. 984+40 - 17+25
 STA. 28+00 - 132+75
 STA. 144+00 - 181+12
 STA. 183+16 - 297+75
 STA. 327+50 - 354+00



STA. 180+60 - 184+60



* 221,213 & 220
 ** ROCK ISLAND & MERCER COUNTY

FILE NAME =	USER NAME = grantpm	DESIGNED -	REVISED -
ct:\pw_work\pwsdot\grantpm\0184077\021212\07-ah-typsec1.dgn		DRAWN -	REVISED -
PLOT SCALE = 50.0000' / 1" =		CHECKED -	REVISED -
PLOT DATE = Thu Jun 23 08:32:57 2011		DATE -	REVISED -

STATE OF ILLINOIS
 DEPARTMENT OF TRANSPORTATION

TYPICAL SECTIONS

SCALE: SHEET NO. OF SHEETS STA. TO STA.

F.A.S. RTE.	SECTION	COUNTY	TOTAL SHEETS	SHEET NO.
*	(19,20)RS-2	**	231	10
CONTRACT NO. 64D72				
ILLINOIS FED. AID PROJECT				