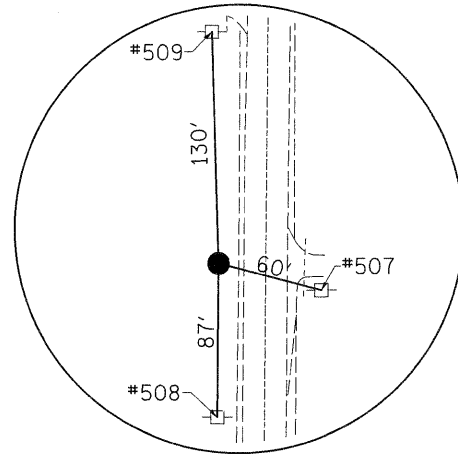
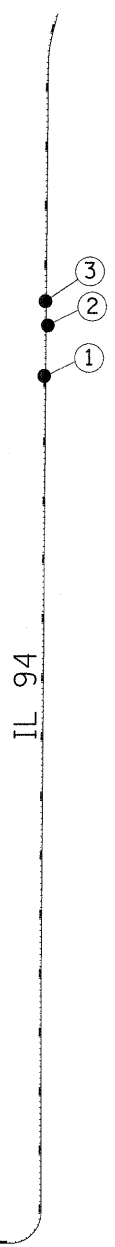
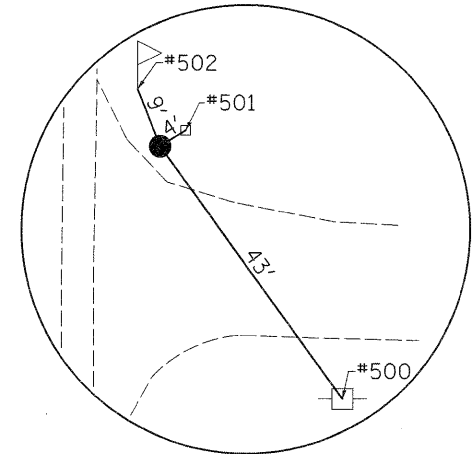


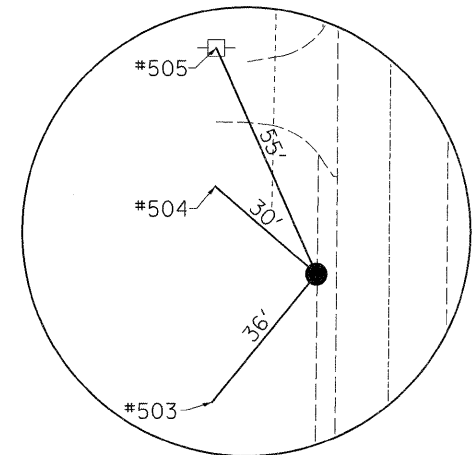
EXISTING HORIZONTAL & VERTICAL CONTROL



HORIZONTAL CONTROL POINT NO. 1



HORIZONTAL CONTROL POINT NO. 2



HORIZONTAL CONTROL POINT NO. 3

IL 94

* 221,213 & 220
** ROCK ISLAND & MERCER COUNTY

FILE NAME =	USER NAME = grantpm	DESIGNED -	REVISED -
c:\pw_work\pwsdot\grantpm\0184077\02122007-sht-ATB.dgn		DRAWN -	REVISED -
	PLOT SCALE = 50.0000' / in.	CHECKED -	REVISED -
	PLOT DATE = Thu Jun 23 08:28:35 2011	DATE -	REVISED -

STATE OF ILLINOIS
DEPARTMENT OF TRANSPORTATION

EXISTING HORIZONTAL & VERTICAL CONTROL

SCALE:	SHEET NO.	OF	SHEETS	STA.	TO STA.
--------	-----------	----	--------	------	---------

F.A.S. RTE.	SECTION	COUNTY	TOTAL SHEETS	SHEET NO.
*	(19,20)RS-2	**	231	24
CONTRACT NO. 64D72				
FED. ROAD DIST. NO. [ILLINOIS] FED. AID PROJECT				