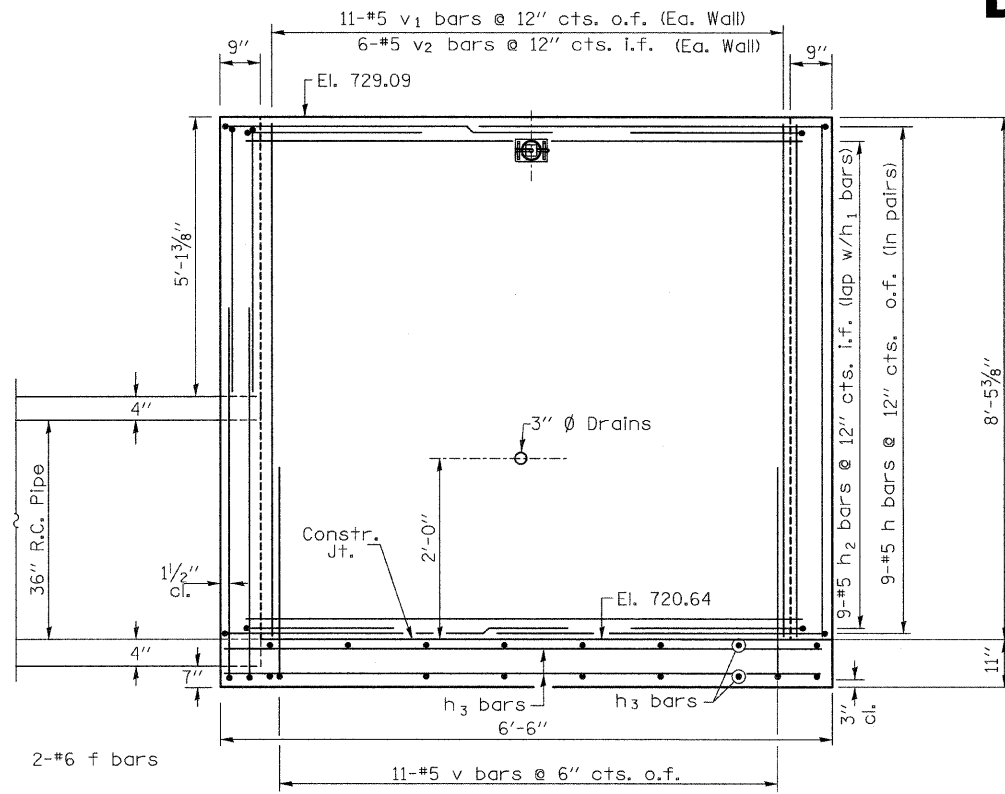
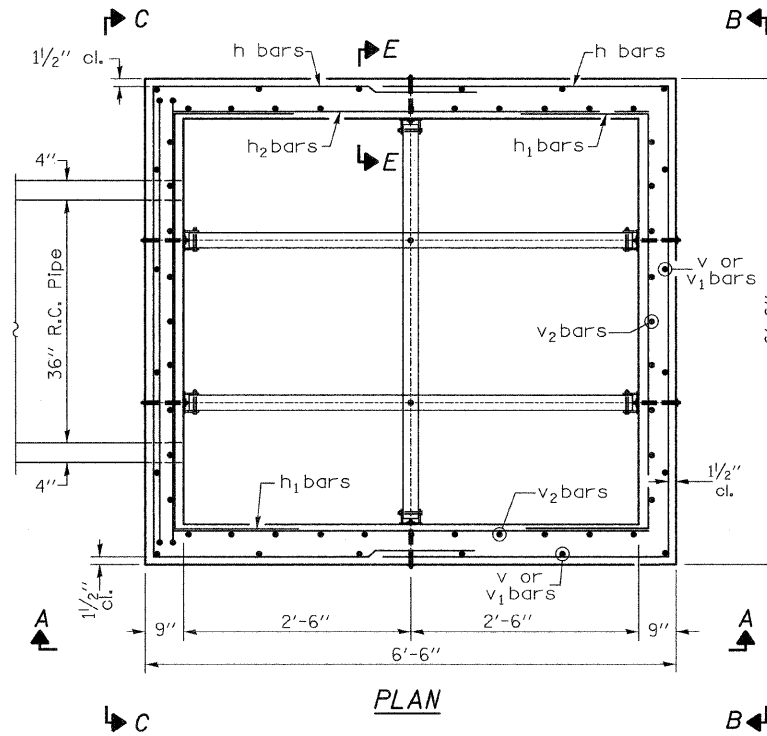


DROP BOX NO. 4

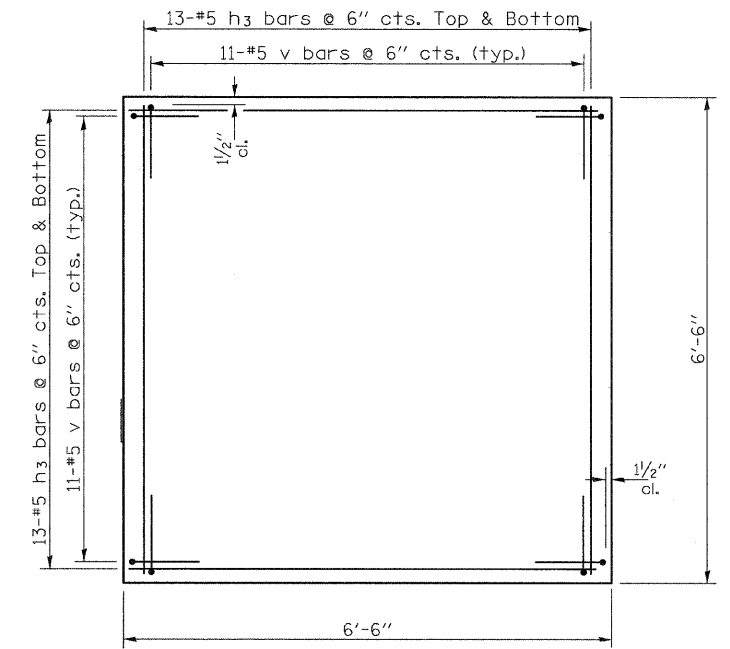
RT STA. 323 + 50



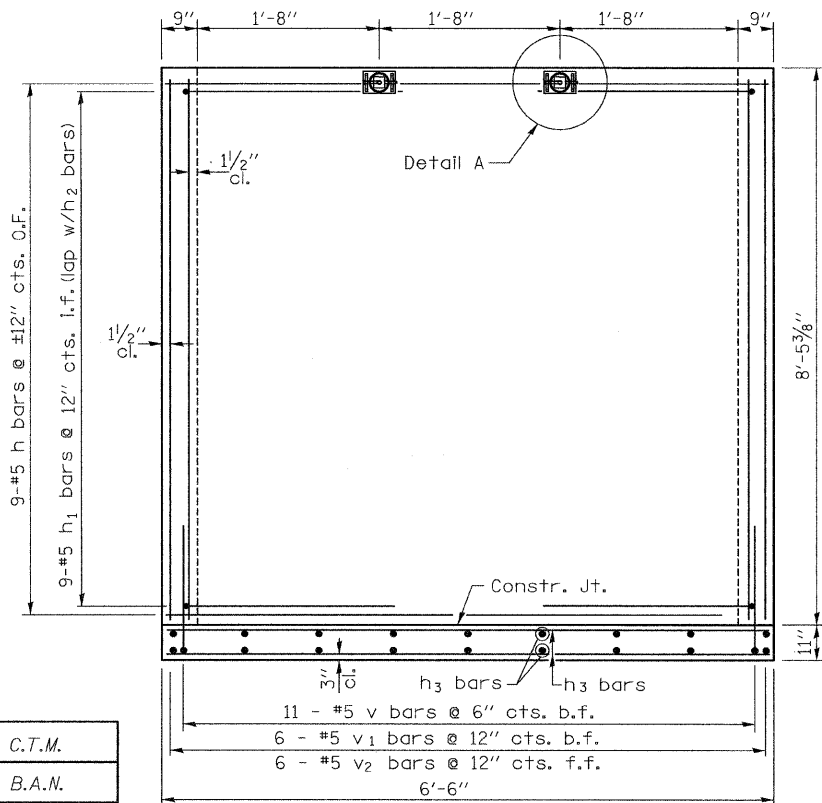
VIEW A-A
(Opposite Wall Similar)



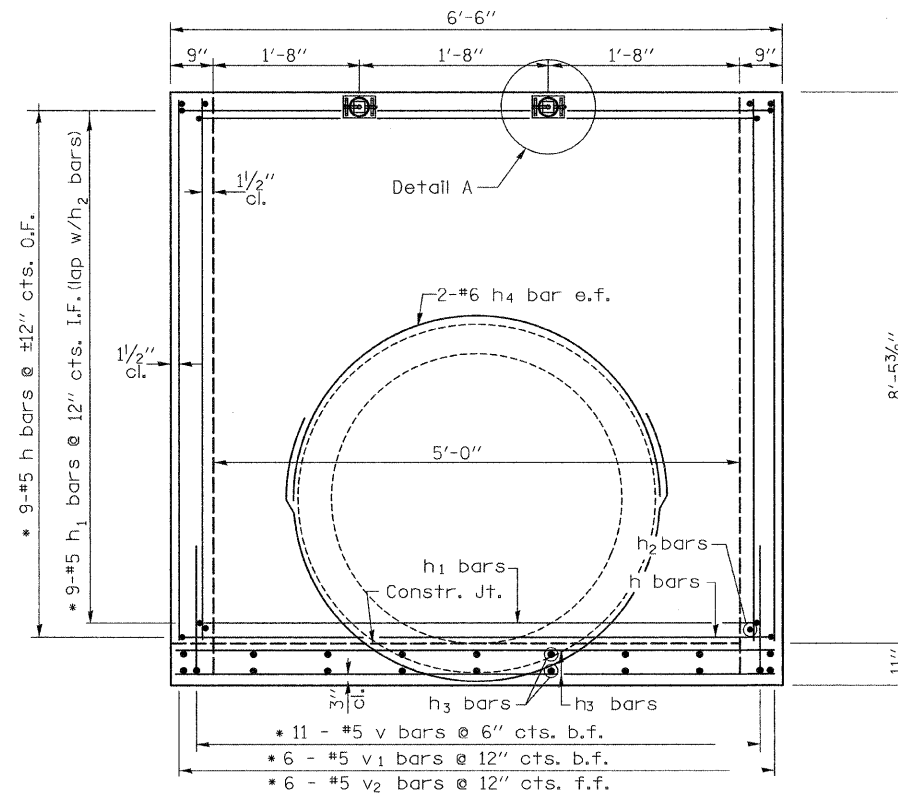
PLAN



BOTTOM SLAB



VIEW B-B

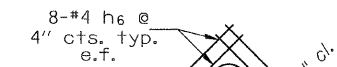


SECTION C-C

*Cut Bars to fit around Pipe

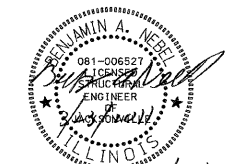
MIN. BAR LAP

- #5 = 2'-2"
- #6 = 2'-7"



DETAIL FOR FIELD TILE

(Maximum 10" Ø)



Lic. Exp. 11/30/2012

DESIGNED	C.T.M.
CHECKED	B.A.N.
DRAWN	C.T.M.
CHECKED	B.A.N.

2244-27c001

SHEET NO. 1 2 SHEETS	ROUTE NO.	SECTION	COUNTY	TOTAL SHEETS	SHEET NO.
	FAS 221	(19,20)RS-2	ROCK ISLAND	231	52
FED. ROAD DIST. NO. 7 ILLINOIS			CONTRACT NO. 64D72 FED. AID PROJECT		