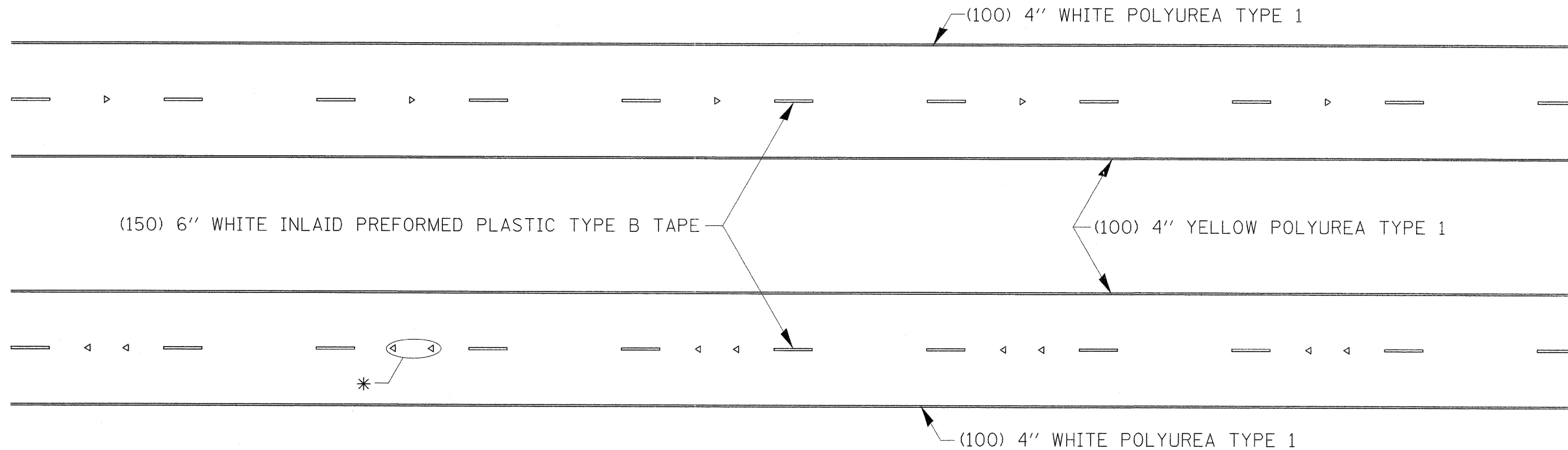
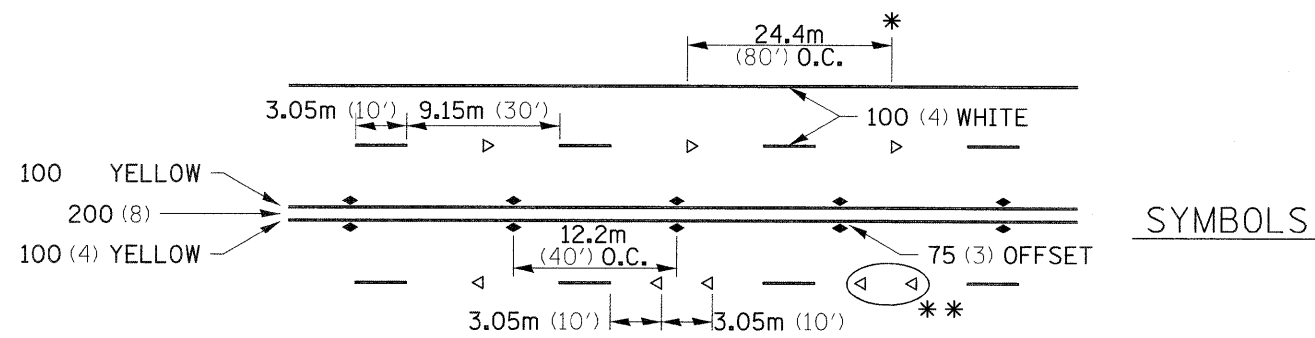


TYPICAL PAVEMENT MARKINGS



* SEE HIGHWAY STANDARD 781001 FOR SPACING DETAILS.
USE DOUBLE MARKERS WHEN ADT \geq 25,000.

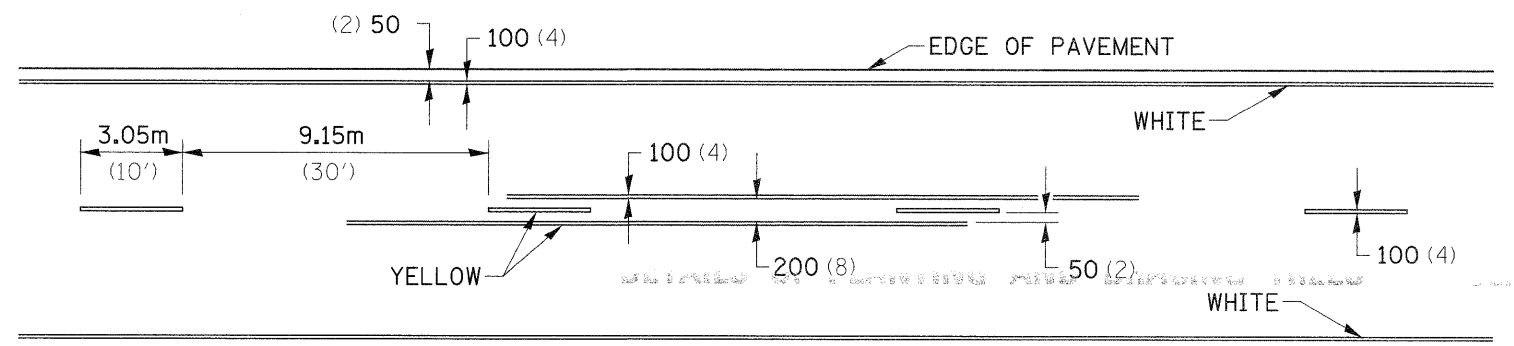
MULTI-LANE / DIVIDED



* REDUCE TO 12.2m (40') O.C. ON CURVES WHERE ADVISORY SPEEDS ARE 15Km/H (10MPH) LOWER THAN POSTED SPEEDS.
** USE DOUBLE MARKERS WHEN ADT \geq 25,000

MULTI-LANE / UNDIVIDED

TYPICAL PAVEMENT MARKING FOR TWO LANE SECTION - NO PASSING ZONES



* 221,213 & 220
** ROCK ISLAND & MERCER COUNTY

FILE NAME =	USER NAME = grantpm	DESIGNED -	REVISED - 10-21-08	STATE OF ILLINOIS DEPARTMENT OF TRANSPORTATION	REGION 2 / DISTRICT 2 STANDARD			F.A.S. RTE.	SECTION	COUNTY	TOTAL SHEETS	SHEET NO.
c:\pwwork\pwwork\grantpm\d184077\021207-sht-details.dgn	DRAWN -	REVISED -	* (19,20)RS-2					**	231	98		
PLOT SCALE = 50.0000' / 1in.	CHECKED -	REVISED -	CONTRACT NO. 64072									
PLOT DATE = Thu Jun 23 08:02:33 2011	DATE -	REVISED -	ILLINOIS FED. AID PROJECT									
SCALE:				SHEET NO. OF SHEETS		STA. TO STA.						