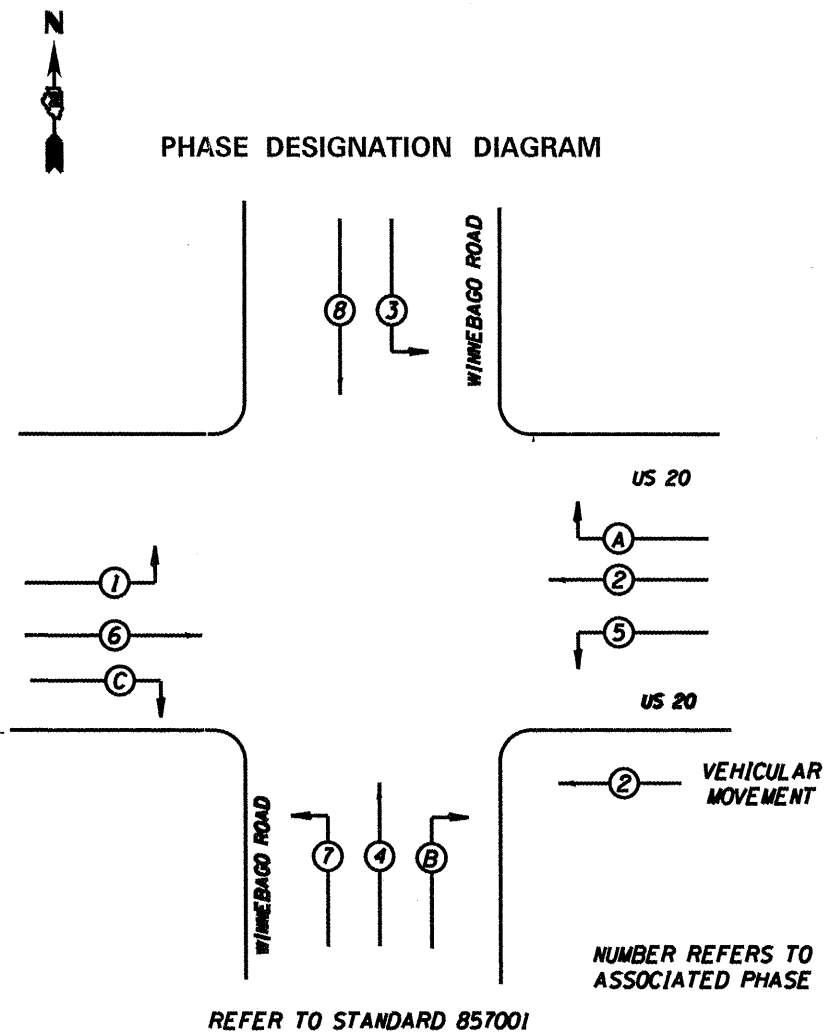
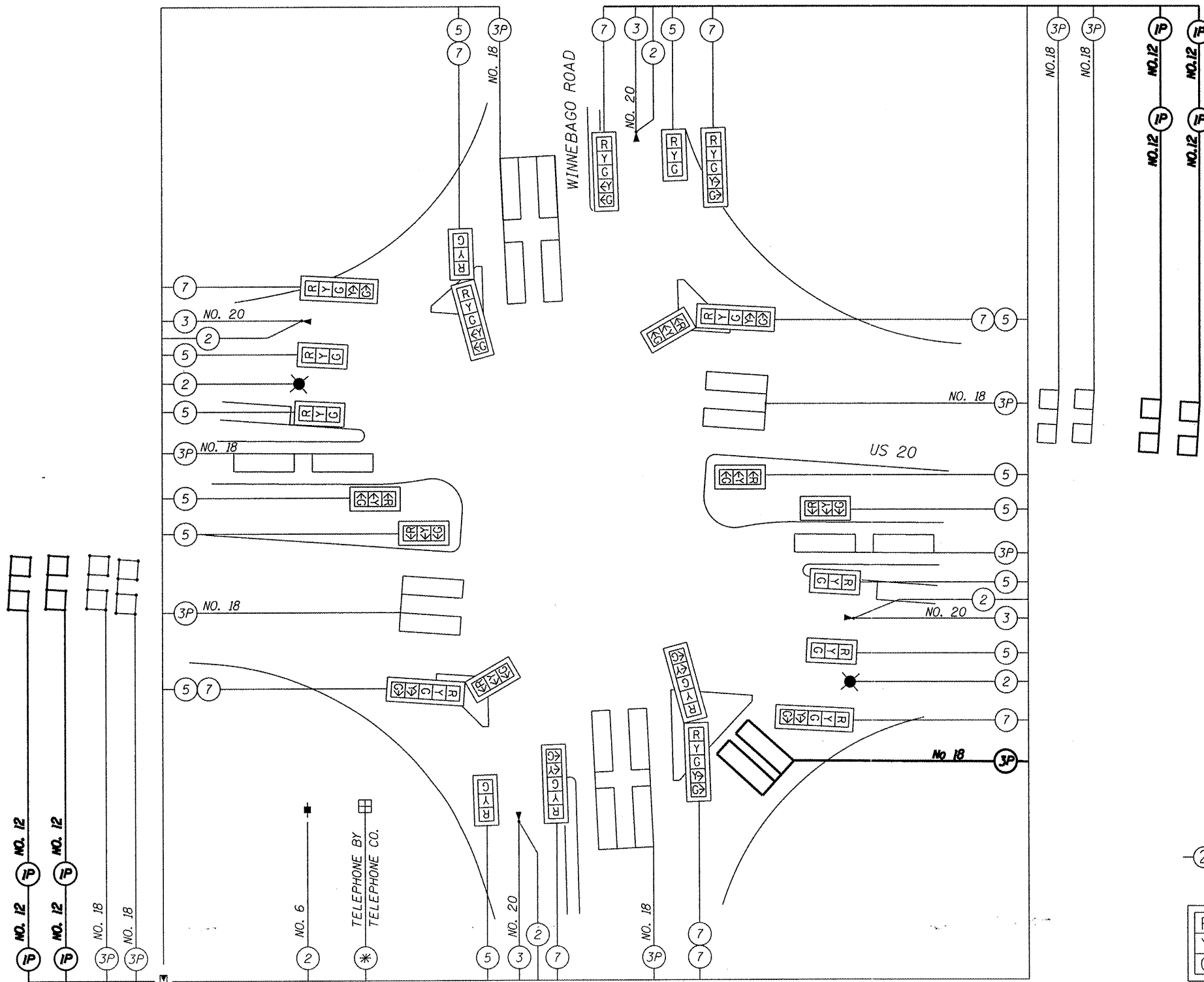


CABLE PLAN



- LEGEND**
- (2) INDICATES NUMBER OF NEW CONDUCTORS. ALL CABLE IS NO. 14 EXCEPT AS INDICATED. "P" INDICATES PAIR CABLE
 - [R Y G] NEW SIGNAL HEAD WITH OR WITHOUT BACKPLATE
 - ◁ OPTICAL DETECTOR WITH CONFIRMATION BEACON
 - ⊗ STROBE LIGHT - WHITE

FILE NAME = P:\Projects\us 20 pec and winn 2011\6411.dgn	USER NAME = hllkl	DESIGNED -	REVISED -	STATE OF ILLINOIS DEPARTMENT OF TRANSPORTATION	US 20 AT WINNEBAGO RD CABLE DETAIL PLAN SHEET		F.A.B. RTE. 301	SECTION 117, 40M-3	COUNTY WINNEBAGO, ILL.	TOTAL SHEETS 7	SHEET NO. 7	
PLOT SCALE = 41,809' / 1"	PLotted DATE = Fri Jun 24 13:20:02 2011	DRAWN -	REVISED -		SCALE: _____	SHEET NO. _____ OF _____ SHEETS	STA. _____ TO STA. _____	CONTRACT NO. 64015 ILLINOIS FED. AID PROJECT				
		CHECKED -	REVISED -									
		DATE -	REVISED -									