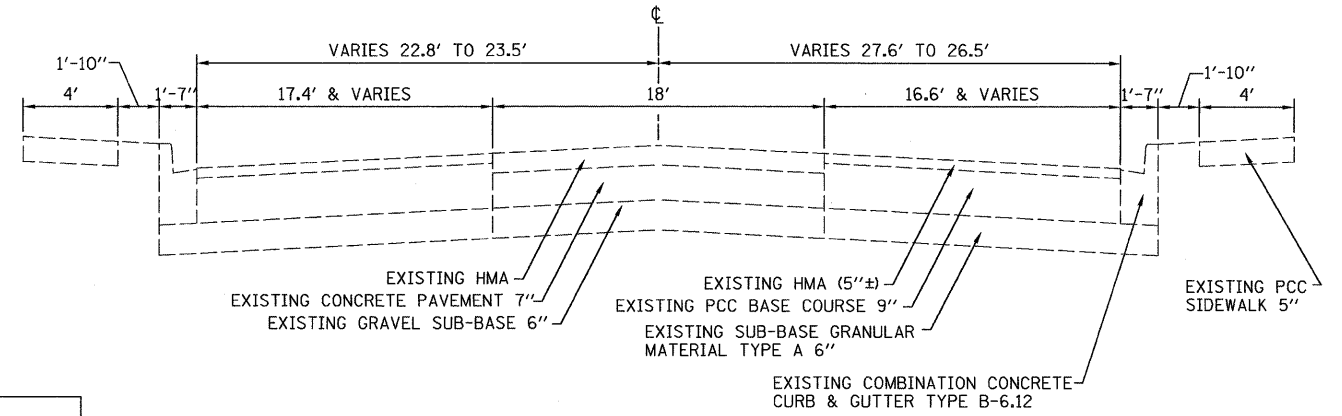


EXISTING ROADWAY TYPICAL SECTION - IL 23

STA. 1241+25.00 TO STA. 1242+98.26(BK)
 STA. 16+60.23(AH) TO STA. 37+45.14
 STA. 45+39.92 TO STA. 67+82.90

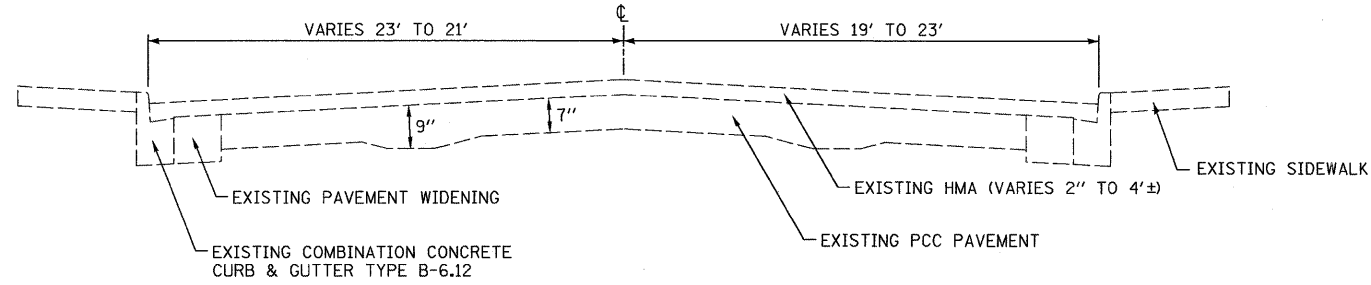
STATION EQUATIONS

STA. 1242+98.26 (BK) = STA. 16+60.23 (AH)
 STA. 71+19.40 (BK) = STA. 10+15.00 (AH)



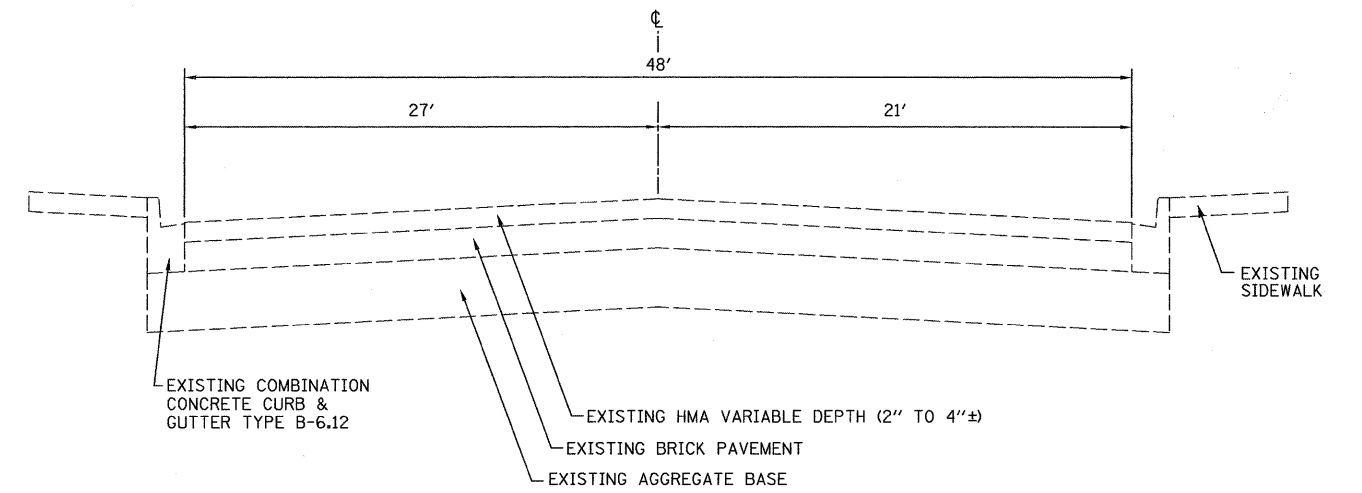
EXISTING ROADWAY TYPICAL SECTION - IL 23

STA. 11+36.00 TO STA. 15+38.14

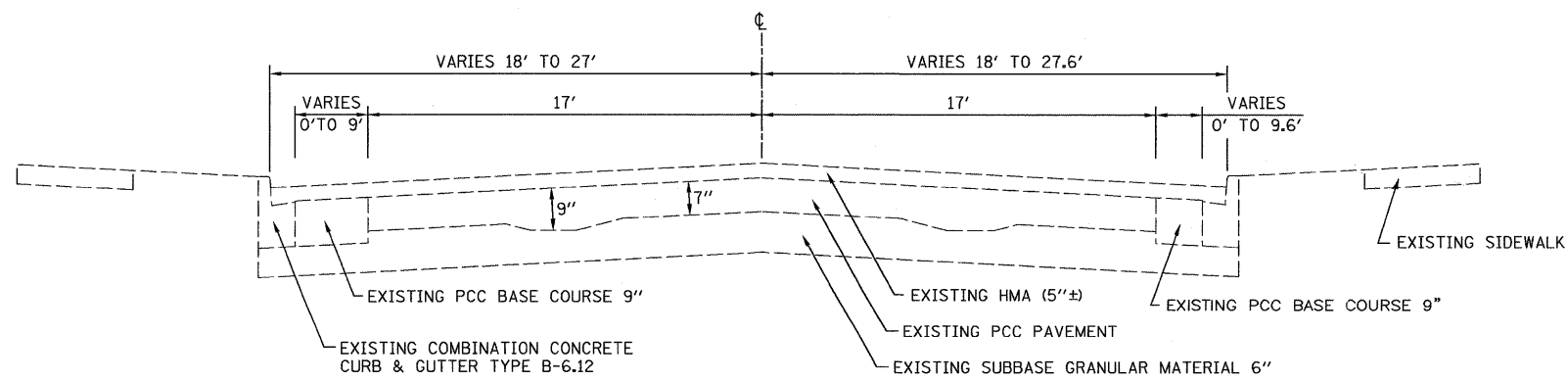


EXISTING ROADWAY TYPICAL SECTION - IL 23

STA. 37+45.14 TO STA. 45+39.92

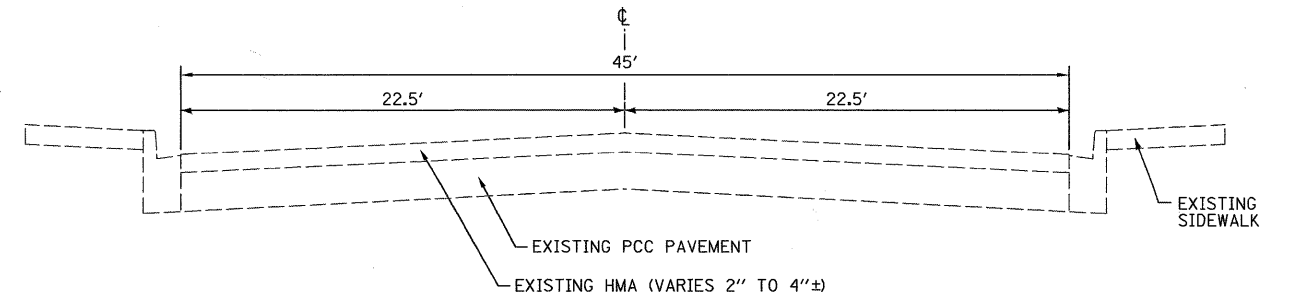


EXISTING ROADWAY TYPICAL SECTION - IL 38 WEST OF IL 23



EXISTING ROADWAY TYPICAL SECTION - IL 23

STA. 67+82.90 TO STA. 71+19.40(BK)
 STA. 10+15.00(AH) TO STA. 11+36.00



EXISTING ROADWAY TYPICAL SECTION - IL 38 EAST OF IL 23

FILE NAME =	USER NAME = ---
0366983-SHT-TYPICAL.DGN	
PLOT SCALE = 1"=20'	
PLOT DATE = 01/11	

DESIGNED - DJD	REVISOR - ---
DRAWN - NV	REVISOR - ---
CHECKED - DJD	REVISOR - ---
DATE - 01/11	REVISOR - ---

DESIGNED - DJD	REVISOR - ---
DRAWN - NV	REVISOR - ---
CHECKED - DJD	REVISOR - ---
DATE - 01/11	REVISOR - ---

DESIGNED - DJD	REVISOR - ---
DRAWN - NV	REVISOR - ---
CHECKED - DJD	REVISOR - ---
DATE - 01/11	REVISOR - ---

STATE OF ILLINOIS
 DEPARTMENT OF TRANSPORTATION

TYPICAL SECTIONS

SCALE: 1"=20' SHEET NO. ___ OF ___ SHEETS STA. TO STA.

F.A.P. RTE. 68	SECTION (28)N, TS & I	COUNTY DEKALB	TOTAL SHEETS 120	SHEET NO. 8
CONTRACT NO. 66983				
FED. ROAD DIST. NO. _ ILLINOIS FED. AID PROJECT				