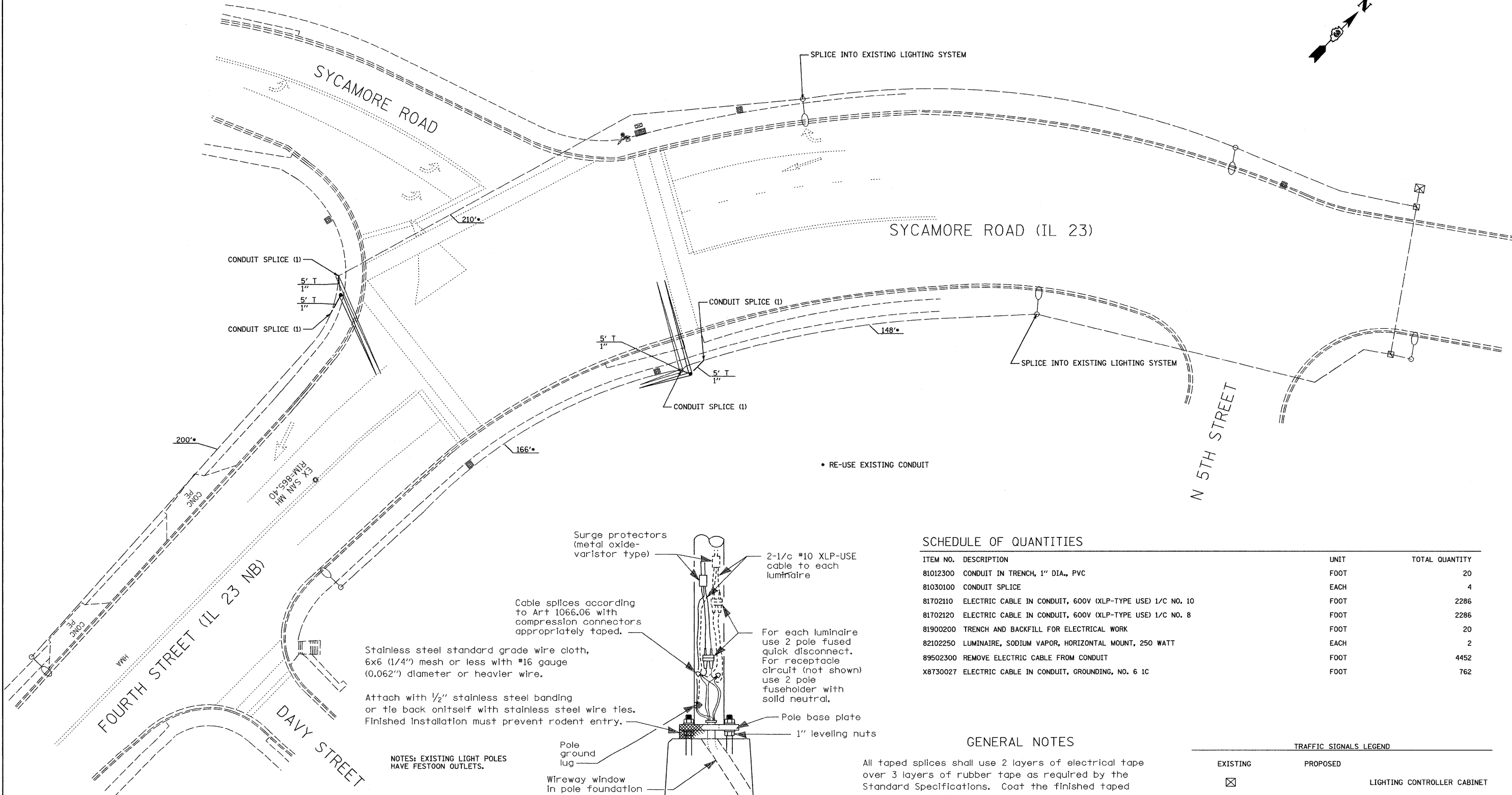
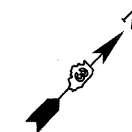
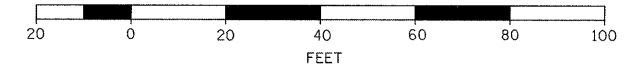


NOTES:

REMOVE EXISTING ELECTRICAL CABLE FROM CONDUIT AND REPLACE WITH

- 3 EACH 600 V (XLP-TYPE USE) 1/C NO. 8
- 3 EACH 600 V (XLP-TYPE USE) 1/C NO. 10
- 1 EACH GROUNDING, NO. 6 1C ELECTRICAL CABLES

GRAPHIC SCALE



• RE-USE EXISTING CONDUIT

SCHEDULE OF QUANTITIES

ITEM NO.	DESCRIPTION	UNIT	TOTAL QUANTITY
81012300	CONDUIT IN TRENCH, 1" DIA., PVC	FOOT	20
81030100	CONDUIT SPLICE	EACH	4
81702110	ELECTRIC CABLE IN CONDUIT, 600V (XLP-TYPE USE) 1/C NO. 8	FOOT	2286
81702120	ELECTRIC CABLE IN CONDUIT, 600V (XLP-TYPE USE) 1/C NO. 8	FOOT	2286
81900200	TRENCH AND BACKFILL FOR ELECTRICAL WORK	FOOT	20
82102250	LUMINAIRE, SODIUM VAPOR, HORIZONTAL MOUNT, 250 WATT	EACH	2
89502300	REMOVE ELECTRIC CABLE FROM CONDUIT	FOOT	4452
X8730027	ELECTRIC CABLE IN CONDUIT, GROUNDING, NO. 6 1C	FOOT	762

GENERAL NOTES

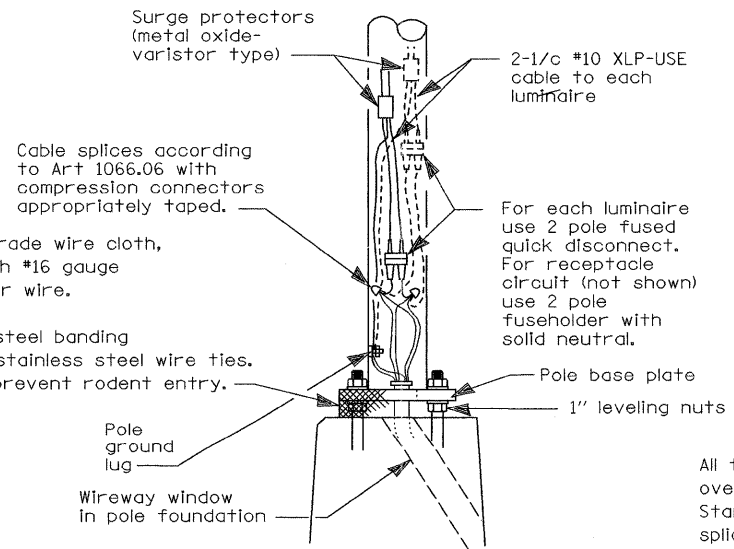
All taped splices shall use 2 layers of electrical tape over 3 layers of rubber tape as required by the Standard Specifications. Coat the finished taped splice with bonding compound.

All cable splices shall be taped unless another method has been specifically approved by the Engineer.

For example purposes the pole is shown on an anchor base. If the pole is required to be set on a breakaway base, consult the Standard Specifications.

TRAFFIC SIGNALS LEGEND

EXISTING	PROPOSED	DESCRIPTION
		LIGHTING CONTROLLER CABINET
		CONTROLLER CABINET
		CONDUIT
		COMBINATION STEEL MAST ARM
		HANDHOLE
		DOUBLE HANDHOLE



WIRING DETAIL

NO SCALE

FILE NAME = 0366983-SHT-TS-PLN-LIGHTING.DGN

USER NAME = --	DESIGNED - DJD	REVISED - ---
	DRAWN - ARR	REVISED - ---
PLOT SCALE = 1" = 20'	CHECKED - DJD	REVISED - ---
PLOT DATE = 01/11	DATE - 01/11	REVISED - ---

**STATE OF ILLINOIS
DEPARTMENT OF TRANSPORTATION**

**TRAFFIC SIGNAL LIGHTING PLAN
FAP 68 (IL 23)/FOURTH STREET AND SYCAMORE ROAD**

SCALE: 1" = 20' SHEET NO. ___ OF ___ SHEETS STA. _____ TO STA. _____

F.A.P. RTE. 68	SECTION (28)N, TS & I	COUNTY DEKALB	TOTAL SHEETS 120	SHEET NO. 64
				CONTRACT NO. 66983
ILLINOIS FED. AID PROJECT				