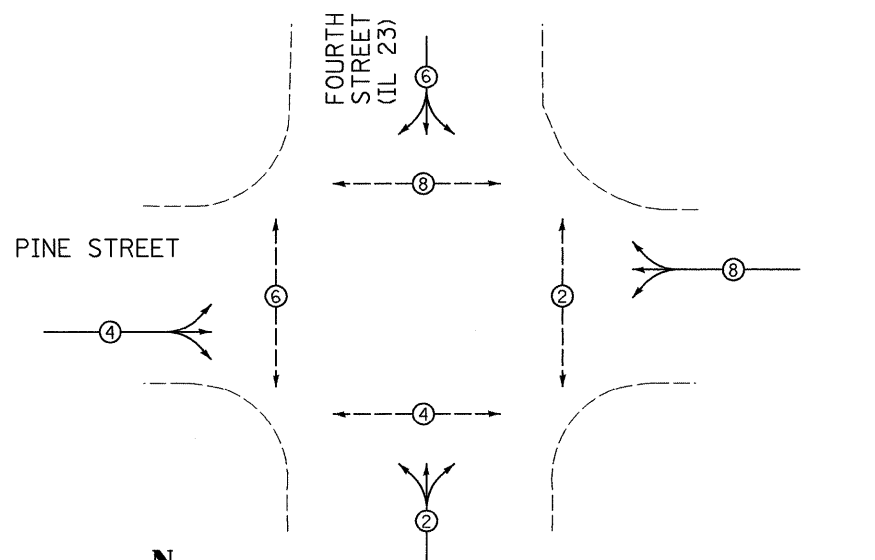


CONTROLLER SEQUENCE

NAME OF INTERSECTION: FOURTH STREET (IL 23) AND PINE STREET
 CONTROLLER SPECIFIED: FULL-ACTUATED CONTROLLER, STANDARD SEQUENCE II, 8 PHASE, IN TYPE IV CABINET
 REFERRING TO STANDARD 857001, THE VEHICULAR AND PEDESTRIAN PHASES USED ARE DESIGNATED.



LEGEND

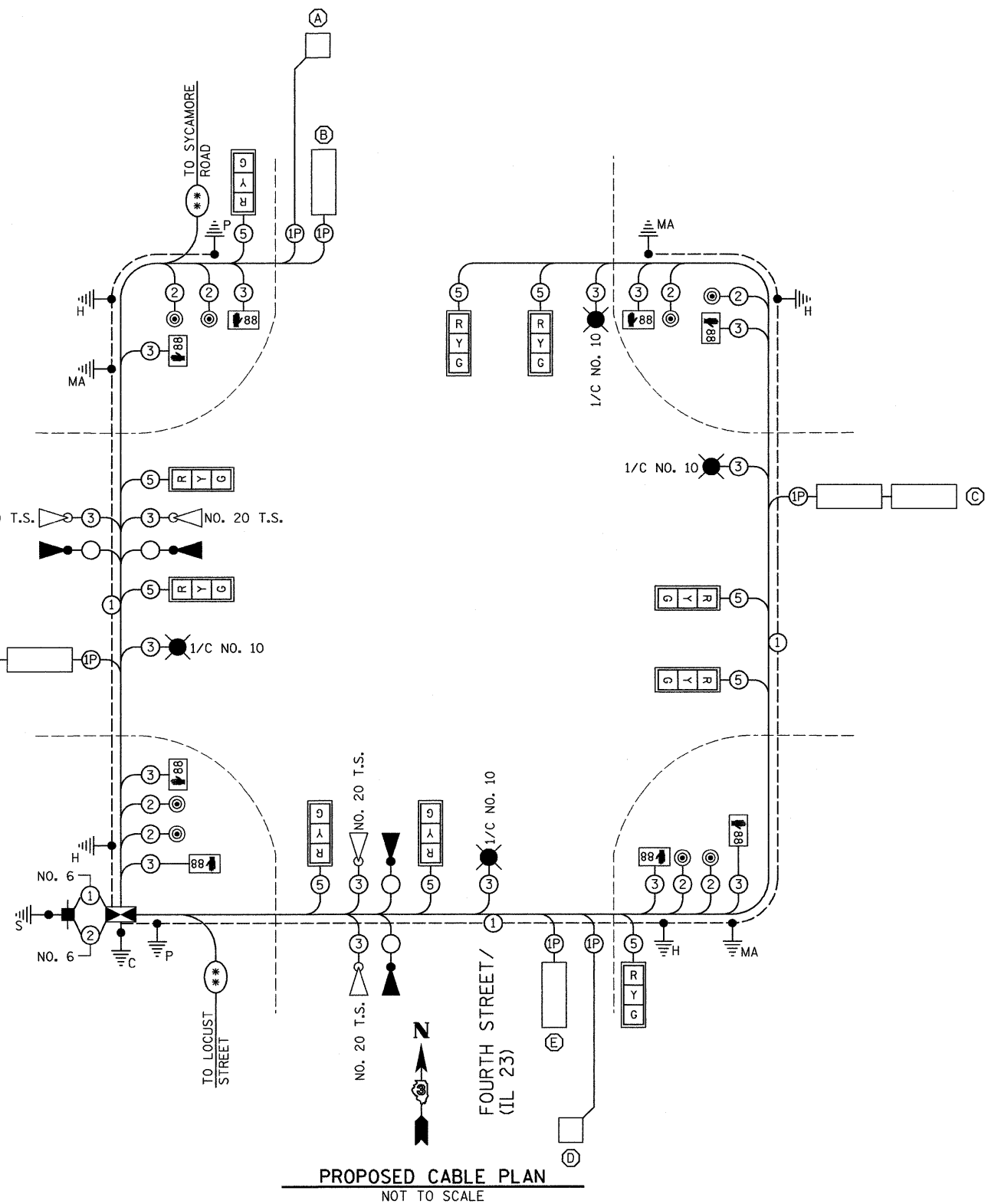
- VEHICULAR MOVEMENT
- - -●- - - PEDESTRIAN MOVEMENT
- * NUMBER REFERS TO ASSOCIATED PHASE

PROPOSED PLAN
 NOT TO SCALE

TRAFFIC SIGNALS LEGEND

●	DETNOTES NUMBER OF CONDUCTORS (NEW) ALL CABLE NO. 14 EXCEPT AS INDICATED
■	PROPOSED SERVICE INSTALLATION, TYPE B
⚡	PROPOSED CONTROLLER AND CABINET
⚡	EMERGENCY VEHICLE LIGHT DETECTOR
⚡	EMERGENCY VEHICLE CONFIRMATION BEACON
□	SIGNAL SECTION 12"
**	PROPOSED INTERCONNECT CABLE AND TRACER
88	PROPOSED WALK/DONT WALK COUNTDOWN SECTION
□	TRAFFIC SIGNAL BACKPLATE
①	GROUND CABLE IN CONDUIT, NO. 6 SOLID COPPER (GREEN)
⚡	GROUND ROD AT POST (P) OR MAST ARM (MA) OR CONTROLLER (C) OR SERVICE INSTALLATION (S) OR HANDHOLE (H)
●	250 WATT HPS LUMINAIRE
⊙	PEDESTRIAN PUSH BUTTON
Ⓢ	DENOTES DETECTOR LOOP SYSTEM
□	VEHICLE DETECTOR, INDUCTION LOOP

PINE STREET



PROPOSED CABLE PLAN
 NOT TO SCALE

FILE NAME = 0366983-SHT-TS-CABLE-RT23-PINE.DGN

USER NAME = --

DESIGNED - DJD
 DRAWN - ARR

REVISED - ---
 REVISED - ---

PLOT SCALE = 1" = 20'
 PLOT DATE = 01/11

CHECKED - DJD
 DATE - 01/11

REVISED - ---
 REVISED - ---

**STATE OF ILLINOIS
 DEPARTMENT OF TRANSPORTATION**

**TRAFFIC SIGNAL CABLE PLAN
 FAP 68 (IL 23)/FOURTH STREET AND PINE STREET**

SCALE: 1" = 20' SHEET NO. ___ OF ___ SHEETS STA. _____ TO STA. _____

F.A.P. RTE. 68	SECTION (20)N, TS & I	COUNTY DEKALB	TOTAL SHEETS 120	SHEET NO. 66
				CONTRACT NO. 66983
ILLINOIS FED. AID PROJECT				