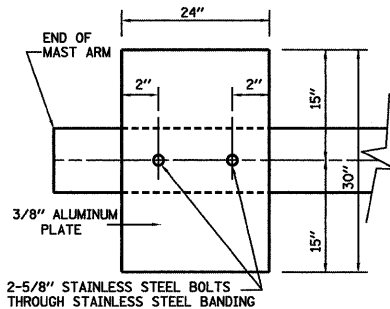


DETECTOR LOOP INDUCTANCE CHART						
DETECTOR LOOP SYSTEM	Ø	LOCATION	TURNS PER LOOP	INDUCTANCE READING (MICROHENRIES)	FREQUENCY (HERTZ)	J PIN STATUS
A	6	SB FAR	5	255	38226	ON
B	6	SB THRU	4	286	36054	OFF
C	8	WB	4	470	28148	ON
D	2	NB FAR	5	255	38226	ON
E	2	NB THRU	4	286	36068	OFF
F	4	EB	4	429	29431	ON

J PIN STATUS: "ON" MEANS STANDARD DETECTOR SETUP. "OFF" MEANS J WIRE HAS BEEN DISCONNECTED. BUT INTACT, AT THE HARNESS PANEL WITH THE NECESSARY NOTE:

DAMPENING DEVICE SHALL CONSIST OF A 24" X 30" TYPE 1, UNPAINTED ALUMINUM SIGN STOCK MOUNTED HORIZONTALLY ON TOP OF MAST ARM WITH THE 30" LENGTH PERPENDICULAR TO THE ARM. COST OF THE DAMPENING DEVICE IS INCLUDED IN THE MAST ARM PAY ITEM.

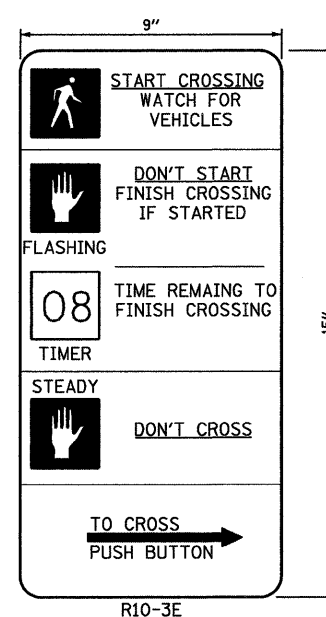


NOTE: MOUNT DAMPENING PLATE TO END OF EACH TRAFFIC SIGNAL MAST ARM.

DAMPENING PLATE DETAIL - TOP VIEW

ELECTRICAL LOAD FOR INTERSECTION				
STREET NAME	COMPONENT	NUMBER	WATTAGE EACH	BURNTIME %
FOURTH STREET (IL 23)	RED	6	10	58
	YELLOW	6	22	4
	GREEN	6	12	38
	88	4	6	100
	88	4	5	13
PINE STREET	RED	4	10	75
	YELLOW	4	22	4
	GREEN	4	12	21
	88	4	6	100
	88	4	5	13
TRAFFIC SIGNAL CABINET	CONTROLLER	1	6	100
	UPS	1	50	100
	VEHICLE DETECTORS	2	4	100
	EMERGENCY VEHICLE PREEMPT	4	--	--
	LIGHTING	LUMINAIRE	4	250

AGENCY RESPONSIBLE FOR TRAFFIC SIGNAL ENERGY CHARGES: CITY OF DEKALB

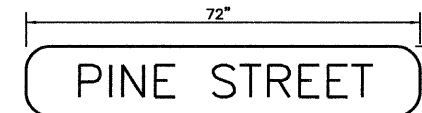


THE CONTRACTOR SHALL SUPPLY AND MOUNT ONE SIGN WITH EACH PEDESTRIAN PUSH-BUTTON AND THIS SHALL BE INCLUDED IN THE COST OF PEDESTRIAN PUSH-BUTTON PAY ITEM.



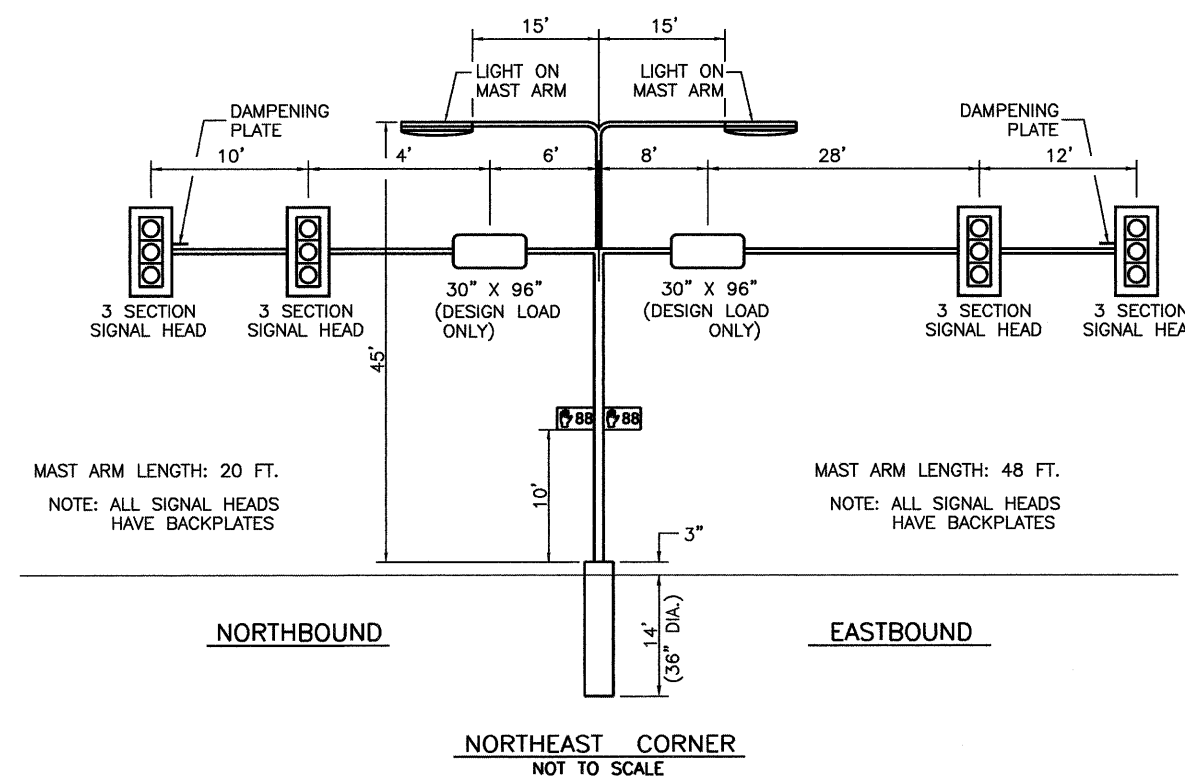
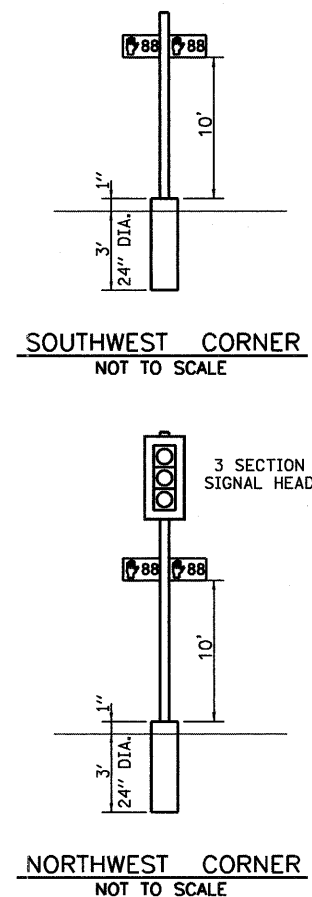
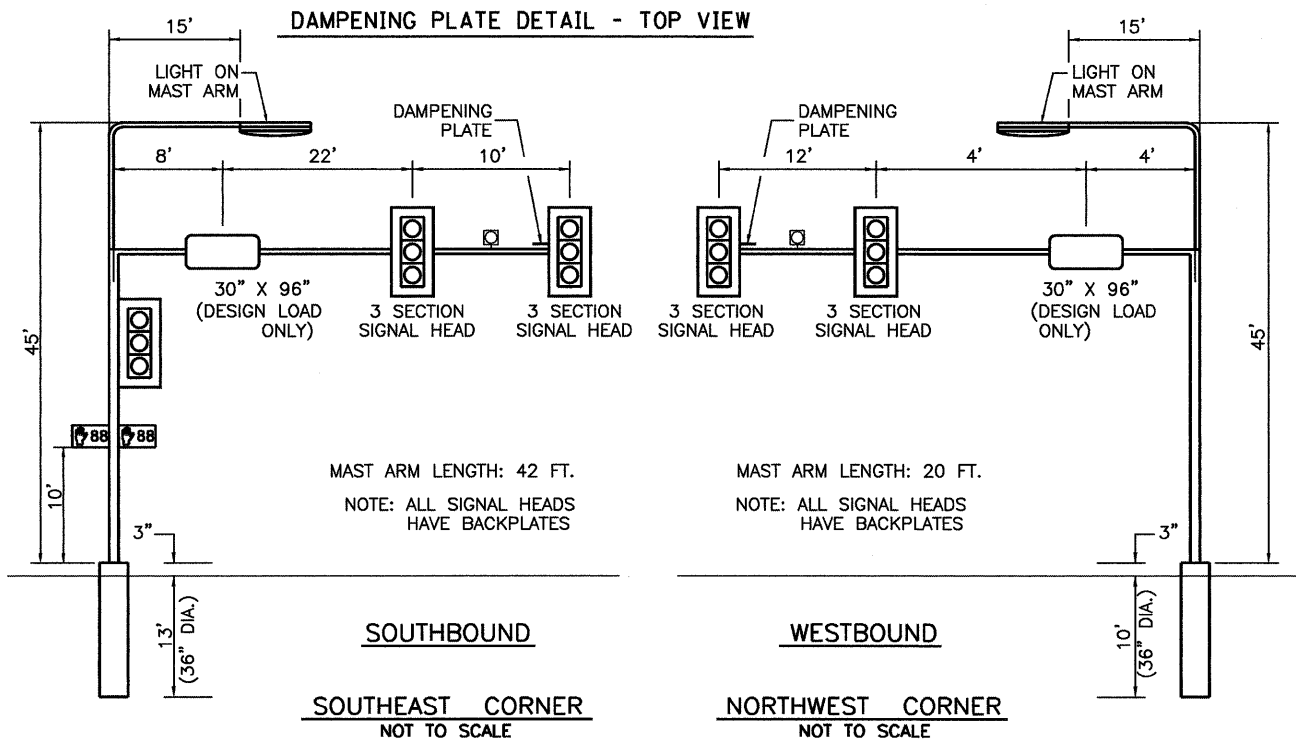
TYPE ZZ SHEETING REQUIRED
6" D SERIES LETTERS (CITY STREET LETTERING)
8" D SERIES LETTERS (STATE ROUTE LETTERING)
2 SIGNS REQUIRED = 15.0 SQ. FT. EACH
= 30.0 SQ. FT. TOTAL

THIS STREET NAME SIGN SHALL BE PLACED ON THE MAST ARMS PARALLEL WITH FOURTH STREET (IL 23)



TYPE ZZ SHEETING REQUIRED
8" D SERIES LETTERS
2 SIGNS REQUIRED = 9.0 SQ. FT. EACH
= 18.0 SQ. FT. TOTAL

THIS STREET NAME SIGN SHALL BE PLACED ON THE MAST ARMS PARALLEL WITH PINE STREET



FILE NAME = 0366983-SHT-TS-DETAILS-PINE.DGN

USER NAME = --

DESIGNED - DJD

REVISED - ---

DRAWN - ARR

REVISED - ---

PLOT SCALE = 1" = 20'

CHECKED - DJD

REVISED - ---

PLOT DATE = 01/11

DATE - 01/11

REVISED - ---

STATE OF ILLINOIS
DEPARTMENT OF TRANSPORTATION

TRAFFIC SIGNAL DETAILS
FAP 68 (IL 23)/FOURTH STREET AND PINE STREET

SCALE: 1" = 20' SHEET NO. ___ OF ___ SHEETS STA. _____ TO STA. _____

F.A.P. RTE.	SECTION	COUNTY	TOTAL SHEETS	SHEET NO.
68	(20)N, TS & I	DEKALB	120	67
CONTRACT NO. 66983				

ILLINOIS FED. AID PROJECT