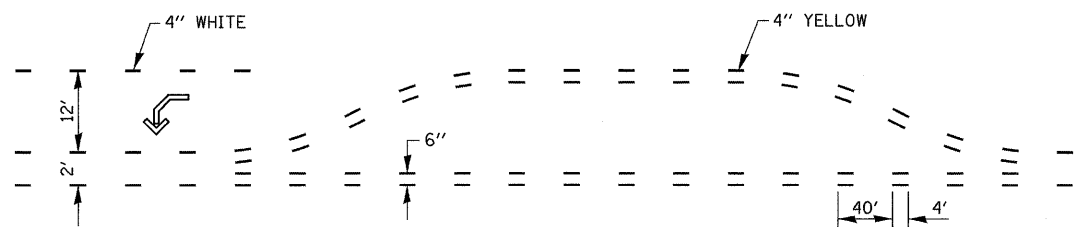


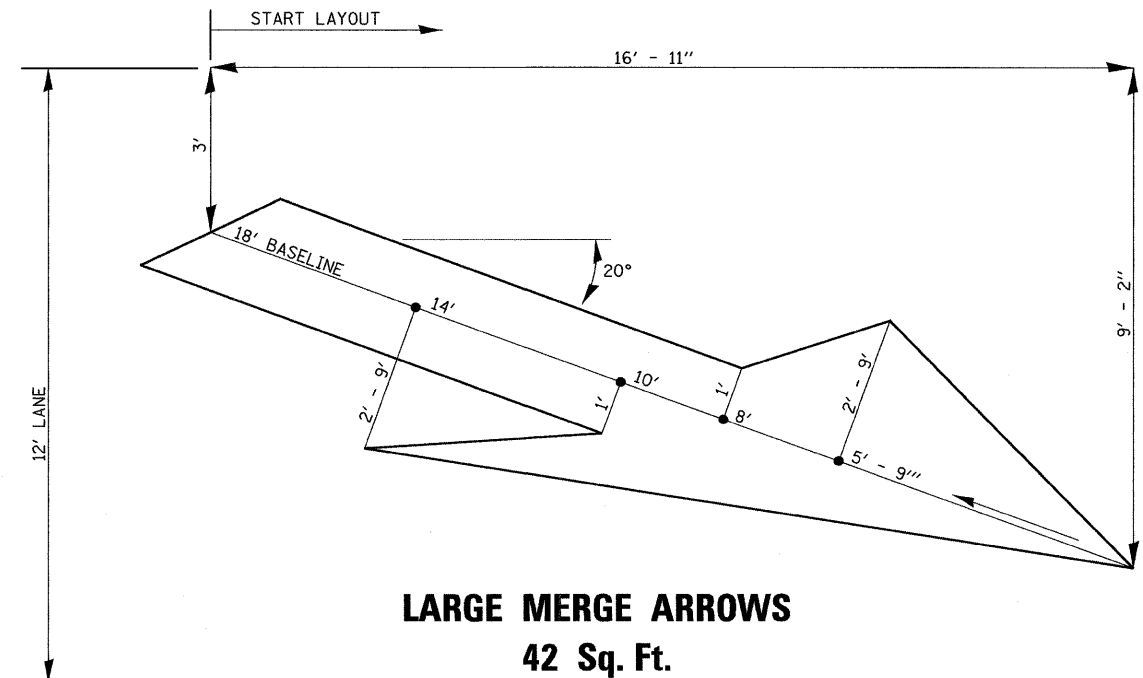
QUANTITY
12" LINE = 16 LIN. FT.
OR 4" LINE = 48 LIN. FT.

QUANTITY
12" LINE = 29 LIN. FT.
OR 4" LINE = 87 LIN. FT.



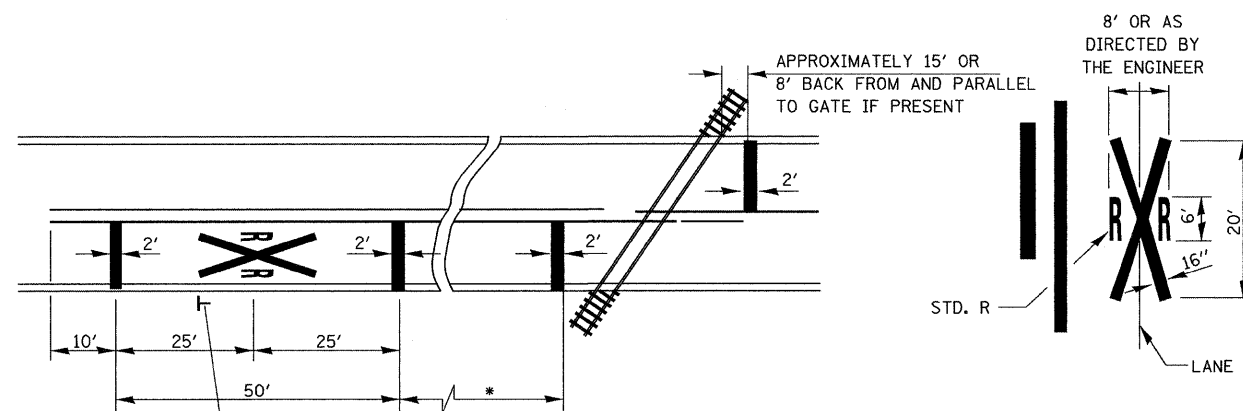
**SHORT-TERM PAVEMENT MARKING
FOR MEDIANS AND ARROWS**

703-1



**LARGE MERGE ARROWS
42 Sq. Ft.**

780-17



* MINIMUM DISTANCE
400' FOR 55 MPH
250' FOR 45 MPH
100' FOR 35 MPH OR LESS

**PAVEMENT MARKINGS AT
RAILROAD-HIGHWAY GRADE CROSSING**

NOTES:
THE TRANSVERSE SPREAD OF THE "X"
MAY VARY ACCORDING TO LANE WIDTH.
ON MULTI-LANE ROADS, THE STOP LINES
SHALL EXTEND ACROSS ALL APPROACH
LANES AND SEPARATE RXR SYMBOLS SHALL
BE PLACED ADJACENT TO EACH OTHER
IN EACH LANE.
WHEN THE PAVEMENT MARKING SYMBOL
IS USED, A PORTION OF THE SYMBOL
SHOULD BE LOCATED DIRECTLY ADJACENT
TO THE ADVANCE WARNING SIGN (W10-1).

780-15

FILE NAME = 0366983-SHT-DETAILS.DGN	USER NAME = ---	DESIGNED - ---	REVISED - ---	STATE OF ILLINOIS DEPARTMENT OF TRANSPORTATION	DETAILS	F.A.P. RTE. 68	SECTION (28)N, TS & I	COUNTY DEKALB	TOTAL SHEETS 120	SHEET NO. 100	
PLOT SCALE = NONE	CHECKED - DJD	REVISED - ---	REVISED - ---			CONTRACT NO. 66983					
PLOT DATE = 01/11	DATE - 01/11	REVISED - ---	REVISED - ---			ILLINOIS FED. AID PROJECT					
SCALE: NONE						SHEET NO. ___ OF ___ SHEETS STA. _____ TO STA. _____					