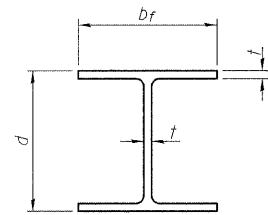
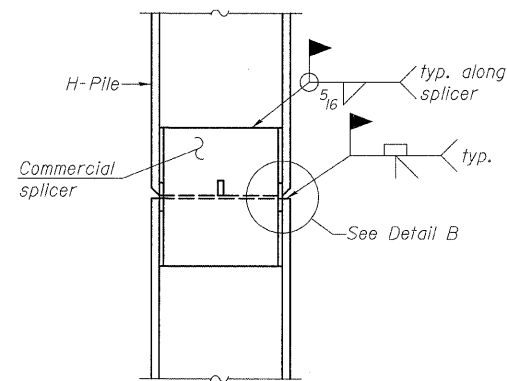


STATE OF ILLINOIS  
DEPARTMENT OF TRANSPORTATION

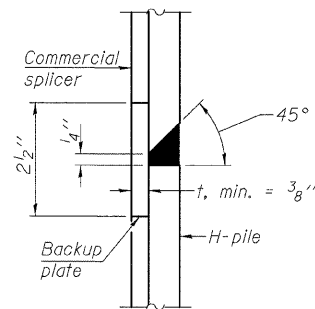


STEEL PILE TABLE

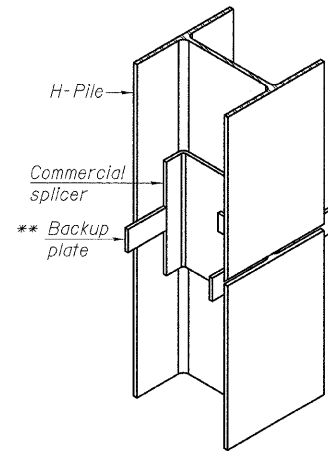
Designation	Depth d	Flange width b <sub>f</sub>	Web and Flange thickness t	Encasement diameter A
HP 14x117	14 1/4"	14 7/8"	1 3/16"	30"
x102	14"	14 3/4"	1 1/16"	30"
x89	13 7/8"	14 3/4"	5/8"	30"
x73	13 5/8"	14 5/8"	1/2"	30"
HP 12x84	12 1/4"	12 1/4"	1 1/16"	24"
x74	12 1/2"	12 1/4"	5/8"	24"
x63	12"	12 1/8"	1/2"	24"
x53	11 3/4"	12"	7/16"	24"
HP 10x57	10"	10 1/4"	9/16"	24"
x42	9 3/4"	10 1/8"	7/16"	24"
HP 8x36	8"	8 1/8"	7/16"	18"



ELEVATION

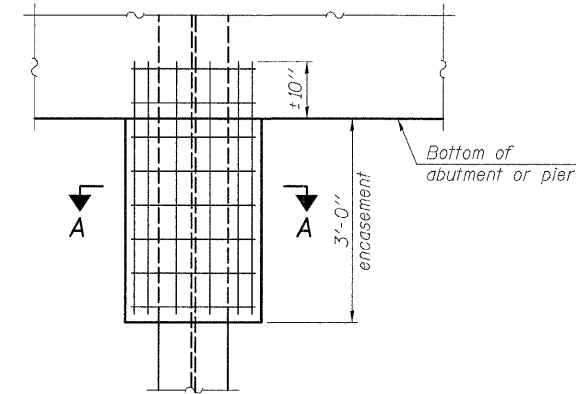


DETAIL B



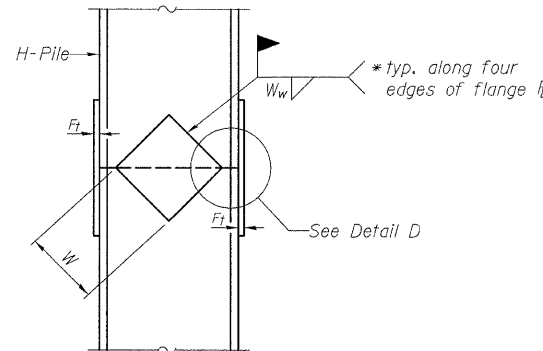
ISOMETRIC VIEW

WELDED COMMERCIAL SPLICE

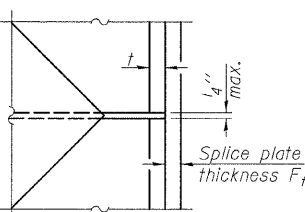


ELEVATION

PILE ENCASEMENT

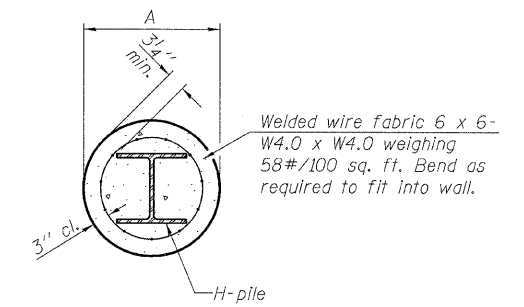


ELEVATION



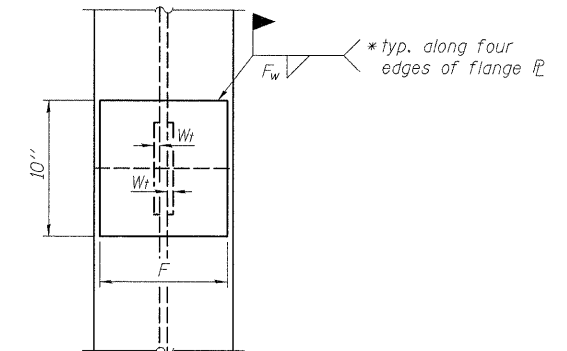
DETAIL D

WELDED PLATE FIELD SPLICE



SECTION A-A

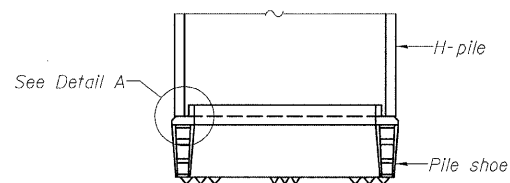
Note:  
Forms for encasement may be omitted when soil conditions permit.



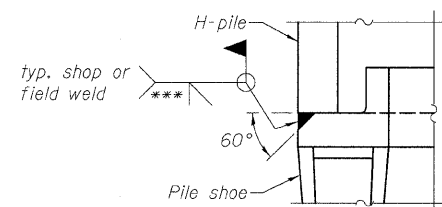
END VIEW

Designation	F	F <sub>t</sub>	F <sub>w</sub>	W	W <sub>t</sub>	W <sub>w</sub>
HP 14x117	12 1/2"	1"	7/8"	7 3/4"	5 8/16"	1/2"
x102	12 1/2"	7/8"	3/4"	7 3/4"	5 8/16"	1/2"
x89	12 1/2"	3/4"	1/16"	7 3/4"	5 8/16"	1/2"
x73	12 1/2"	5/8"	9/16"	7 3/4"	5 8/16"	1/2"
HP 12x84	10"	7/8"	1/16"	6 1/2"	5 8/16"	1/2"
x74	10"	7/8"	1/16"	6 1/2"	5 8/16"	1/2"
x63	10"	5/8"	1/2"	6 1/2"	1/2"	3/8"
x53	10"	5/8"	1/2"	6 1/2"	1/2"	3/8"
HP 10x57	8"	3/4"	9/16"	5 1/4"	1/2"	3/8"
x42	8"	5/8"	9/16"	5 1/4"	1/2"	3/8"
HP 8x36	7"	5/8"	7/16"	4 1/4"	1/2"	3/8"

HP PILE DETAILS  
STRUCTURE NO. 014-0079

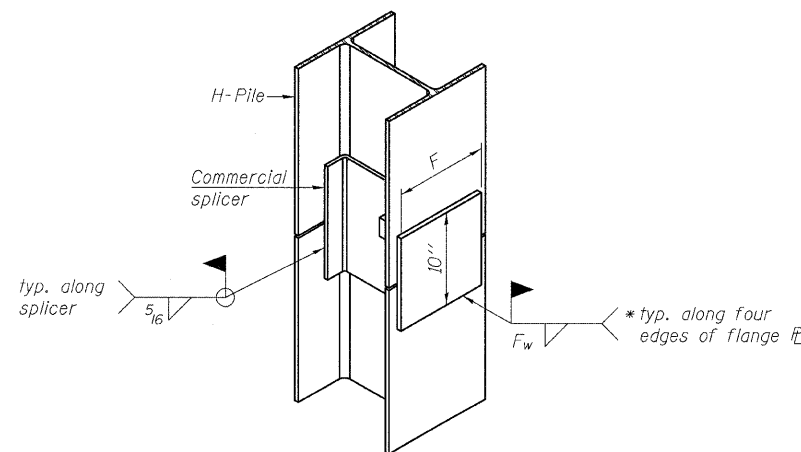


ELEVATION



DETAIL A

H-PILE SHOE ATTACHMENT



ISOMETRIC VIEW

WELDED COMMERCIAL SPLICE ALTERNATE

- \* Interrupt welds 1/4" from end of web and/or each flange.
- \*\* Remove portions of backup plates that extend outside the flanges.
- \*\*\* Weld size per pile shoe manufacturer (5/16" min.).

Note:  
The steel H-piles shall be according to AASHTO M270 Grade 50.

DESIGNED	KAK
CHECKED	EML
DRAWN	KAK
CHECKED	EML

F-HP

11-1-09

**HORNER & SHIFRIN, INC.**  
ENGINEERS

SHEET NO. 21 25 SHEETS	F.A.P. RTE.	SECTION	COUNTY	TOTAL SHEETS	SHEET NO.
	690	481B	CLINTON	46	38
CONTRACT NO. 76C21					
FED. ROAD DIST. NO.		ILLINOIS FED. AID PROJECT			