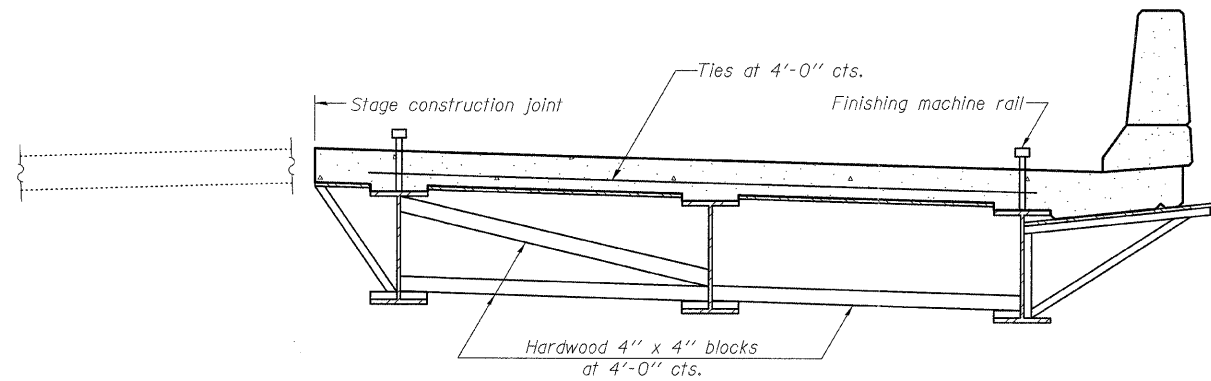
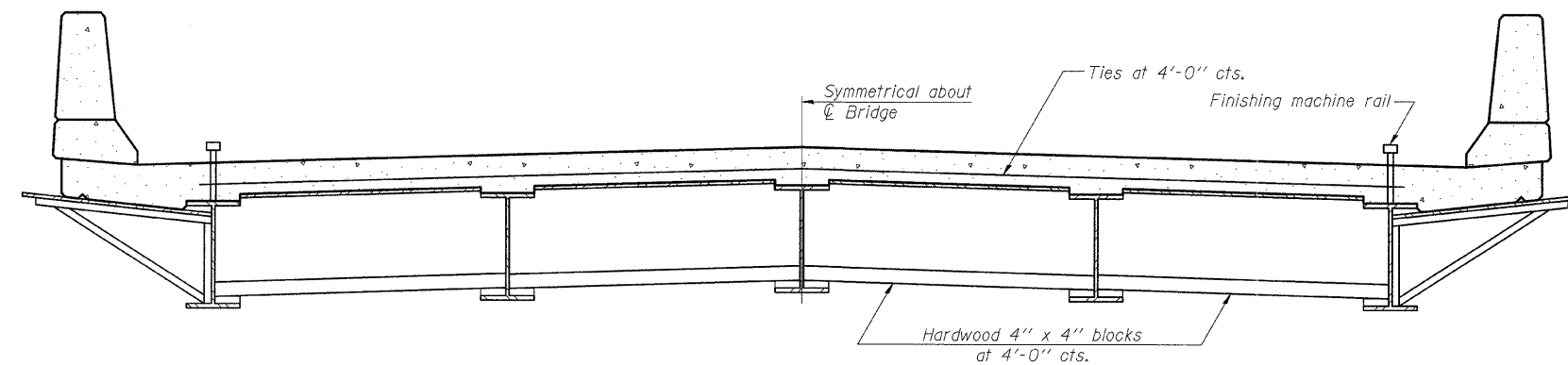


STATE OF ILLINOIS
DEPARTMENT OF TRANSPORTATION



**FORM BRACES FOR
STAGE CONSTRUCTION**



**FORM BRACES FOR
STANDARD CONSTRUCTION**

When cantilever forming brackets are used, the work shall be done according to Article 503.06(b) of the Standard Specifications, except as modified below and in the details shown on this sheet.

The finishing machine rails shall be placed on the top flange of the exterior beams.

The beams or girders, supporting cantilever forming brackets, shall be tied together at 4 foot intervals.

For Standard construction, or Stage Construction the Hardwood bracing materials shall be placed as shown between webs of beams in each bay.

DESIGNED	KAK
CHECKED	EML
DRAWN	KAK
CHECKED	EML

SB-1

11-1-09

**CANTILEVER FORMING BRACKETS
STRUCTURE NO. 014-0079**

**HORNER &
SHIFRIN, INC.
ENGINEERS**

SHEET NO. 23 25 SHEETS	F.A.P. RTE.	SECTION	COUNTY	TOTAL SHEETS	SHEET NO.
	690	481B	CLINTON	46	40
			CONTRACT NO. 76C21		
FED. ROAD DIST. NO.		ILLINOIS	FED. AID PROJECT		