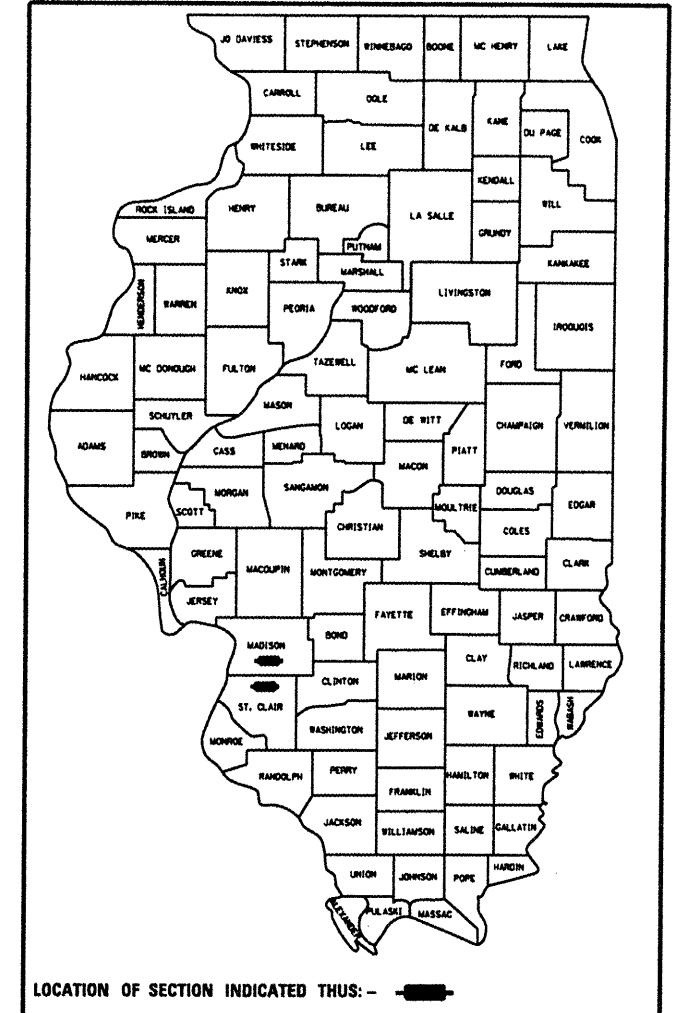


F.A.P. RTE.	SECTION	COUNTY	TOTAL SHEETS	SHEET NO.
V&B	**	***	9	1

** DIST 8 DEEP WELLS 2012-1
 *** MADISON & ST. CLAIR

D-98-073-11



LOCATION OF SECTION INDICATED THIS: - [shaded area]

STATE OF ILLINOIS
 DEPARTMENT OF TRANSPORTATION
 DIVISION OF HIGHWAYS

**PROPOSED
 HIGHWAY PLANS**

VARIOUS ROUTES
 SECTION DIST 8 DEEP WELLS 2012-1
 MADISON AND ST. CLAIR COUNTIES

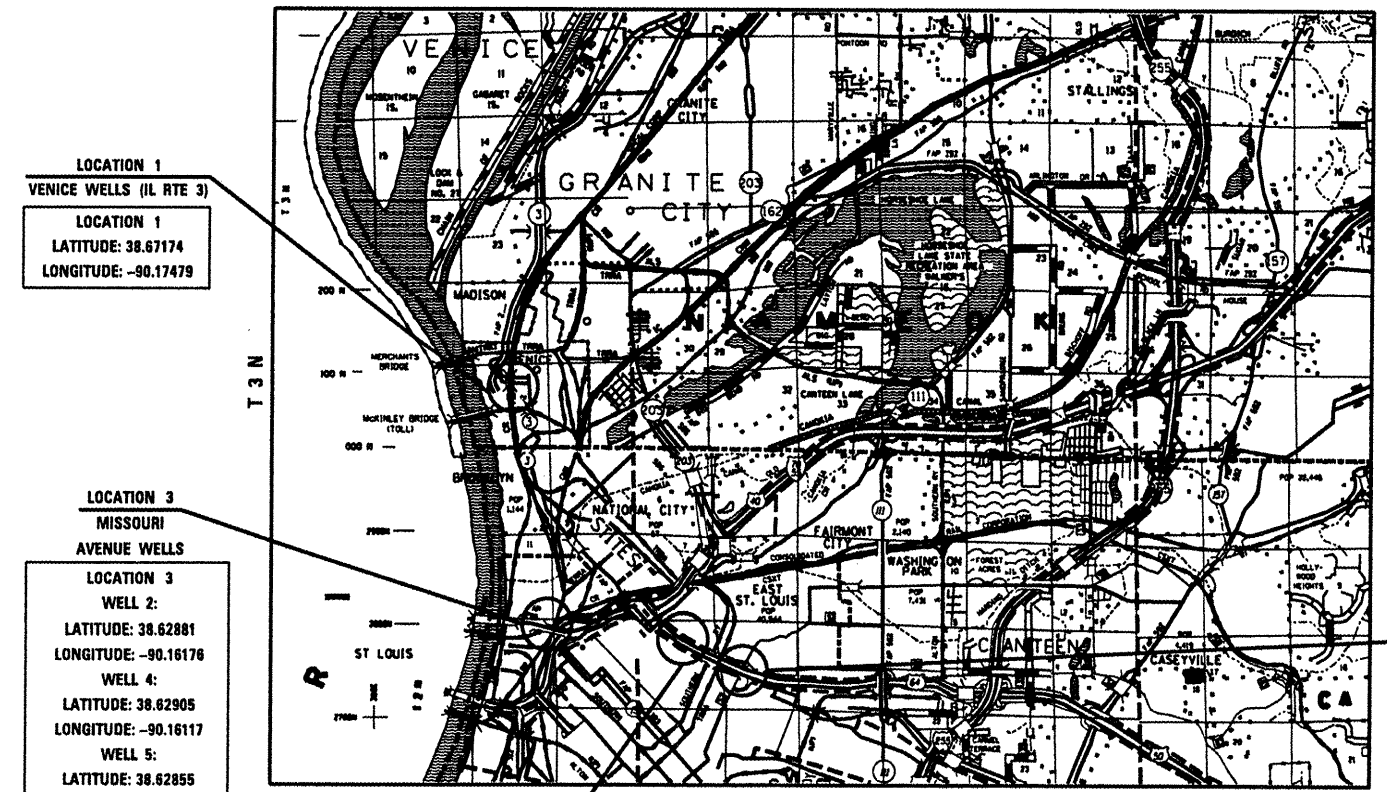
C-98-079-11

INDEX OF SHEETS

- 1 COVER SHEET, STANDARDS, ADT
- 2 GENERAL NOTES
- 3 SUMMARY OF QUANTITIES
- 4 LOCATION NO. 1: SITE PLAN VENICE WELLS (IL ROUTE 3)
- 5 LOCATION NO. 2: SITE PLAN TRI LEVEL WELLS
- 6 LOCATION NO. 3: SITE PLAN MISSOURI AVENUE WELLS
- 7 LOCATION NO. 4: SITE PLAN 25TH STREET
- 8 TYPICAL WELL DETAILS LOCATION 1, 2 & 4
- 9 TYPICAL WELL DETAILS LOCATION 3

STANDARDS

701601-07
 701901-01

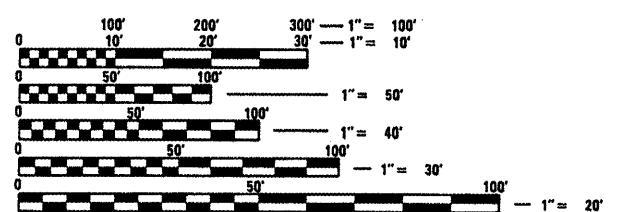


LOCATION 1
 VENICE WELLS (IL RTE 3)
 LOCATION 1
 LATITUDE: 38.67174
 LONGITUDE: -90.17479

LOCATION 3
 MISSOURI AVENUE WELLS
 LOCATION 3
 WELL 2:
 LATITUDE: 38.62881
 LONGITUDE: -90.16176
 WELL 4:
 LATITUDE: 38.62905
 LONGITUDE: -90.16117
 WELL 5:
 LATITUDE: 38.62855
 LONGITUDE: -90.16222
 WELL 6:
 LATITUDE: 38.78946
 LONGITUDE: -90.16588

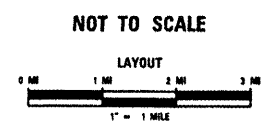
LOCATION 2
 TRI LEVEL WELLS
 LOCATION 2
 LATITUDE: 38.6335
 LONGITUDE: -90.1451

LOCATION 4
 25TH STREET
 LOCATION 4
 LATITUDE: 38.627812
 LONGITUDE: -90.138259



FULL SIZE PLANS HAVE BEEN PREPARED USING STANDARD ENGINEERING SCALES. REDUCED SIZED PLANS WILL NOT CONFORM TO STANDARD SCALES. IN MAKING MEASUREMENTS ON REDUCED PLANS, THE ABOVE SCALES MAY BE USED.

J.U.L.I.E.
 JOINT UTILITY LOCATION INFORMATION FOR EXCAVATION
 1-800-892-0123
 OR 811



TRAFFIC DATA:
 LOCATION 1: VENICE (IL ROUTE 3) = 6,200 (2009)
 LOCATION 2: TRI LEVEL = 68,900 (2009)
 ST. CLAIR AVENUE = 4,150 (2009)
 RAMP C = 950 (2009)
 LOCATION 3: MISSOURI AVENUE = 2,900 (2009)
 LOCATION 4: 15TH STREET & 25TH STREET = 68,800 (2009)

STATE OF ILLINOIS
 DEPARTMENT OF TRANSPORTATION
 DIVISION OF HIGHWAYS

SUBMITTED: July 6 20 11
Mary C. Jamie
 DEPUTY DIRECTOR OF HIGHWAYS, REGION 5 ENGINEER
 Aug 19 20 11
Scott E. Stitt, P.E.
 ENGINEER OF DESIGN AND ENVIRONMENT
 Aug 19 20 11
Christine M. Reed
 DIRECTOR OF HIGHWAYS, CHIEF ENGINEER

**PRINTED BY THE AUTHORITY
 OF THE STATE OF ILLINOIS**

PROJECT ENGINEER: PATTI LEBEAU (618)346-3179
 PROJECT MANAGER: CHERYL KEPLAR (618)346-3186

CONTRACT NO. 76F12

GENERAL NOTES

1. THE STANDARDS AND REVISION NUMBERS LISTED SHALL APPLY TO THIS PROJECT.
2. WHERE SECTION OR SUB-SECTION MONUMENTS ARE ENCOUNTERED, THE ENGINEER SHALL BE NOTIFIED BEFORE SUCH MONUMENTS ARE REMOVED. THE CONTRACTOR SHALL PROTECT AND CAREFULLY PRESERVE ALL PROPERTY MARKERS AND MONUMENTS UNTIL THE OWNER, AN AUTHORIZED SURVEYOR OR AGENT HAS WITNESSED OR OTHERWISE REFERENCED THE LOCATION.
3. ILLINOIS STATE LAW REQUIRES A 48-HOUR NOTICE BE GIVEN TO UTILITY BEFORE DIGGING. FIELD MARKING OF FACILITIES MAY BE OBTAINED BY CONTACTING J.U.L.I.E. OR FOR NON-MEMBERS, THE UTILITY COMPANY DIRECTLY. AGENCIES KNOWN TO HAVE FACILITIES IN THE AREA OF THIS PROJECT ARE:

LOCATION 1: (VENICE WELLS)

- AMEREN IP
- AMEREN IP (GAS)
- AT&T CORPORATION
- AT&T ILLINOIS
- CENTERPOINT ENERGY
- CHARTER COMMUNICATIONS, INC.
- CONSOLIDATED COMMUNICATIONS
- EXPLORER PIPELINE COMPANY
- ILLINOIS AMERICAN WATER CO.
- LEVEL 3 COMMUNICATIONS
- MCLEOD USE TELECOMMUNICATIONS, INC.
- NETWORKS, 360
- QWEST COMMUNICATIONS
- SPRINT COMMUNICATIONS CO.
- VERIZON BUSINESS

LOCATION 2: (TRI-LEVEL WELLS)

- AMEREN IP
- AMEREN-UE
- AT&T ILLINOIS
- CITY OF EAST ST. LOUIS
- ILLINOIS AMERICAN WATER CO.
- MCLEOD USA TELECOMMUNICATIONS, INC.
- QWEST COMMUNICATIONS

LOCATION 3: (MISSOURI AVE WELLS)

- AMEREN IP
- AMEREN-UE
- AT&T ILLINOIS
- CHARTER COMMUNICATIONS, INC.
- CITY OF EAST ST. LOUIS
- ILLINOIS AMERICAN WATER CO.
- LEVEL 3 COMMUNICATIONS, LLC
- LIGHTCORE
- MCLEOD USA TELECOMMUNICATIONS, INC.
- NETWORKS, 360
- QWEST COMMUNICATIONS
- VERIZON BUSINESS

LOCATION 4: (25TH ST. WELLS)

- AMEREN IP
- AMEREN-UE
- AT&T ILLINOIS
- CITY OF EAST ST. LOUIS
- ILLINOIS AMERICAN WATER CO.
- MCLEOD USA TELECOMMUNICATIONS, INC.
- QWEST COMMUNICATIONS

(MEMBERS OF J.U.L.I.E. (800) 892-0123 ARE INDICATED BY •. NON-J.U.L.I.E. MEMBERS MUST BE NOTIFIED INDIVIDUALLY).

4. ALL WELLS REQUIRE SEALING OF MISCELLANIOUS OPENINGS IN THE WELL HEAD TO PREVENT LEAKAGE DURING TREATMENT OPERATIONS. THIS WORK WILL NOT BE PAID FOR SEPARATELY, BUT WILL BE INCLUDED IN COST OF THE SPECIFIED TREATMENT METHODS.
5. THE DEPARTMENT RESERVES THE RIGHT TO NOTIFY THE CONTRACTOR TO CHANGE THE SEQUENCE OF WELL CLEANING IF NEEDED TO ENSURE PROPER DEWATERING NEEDS FOR THE DEPARTMENT.

•• DIST 8 DEEP WELLS 2012-1
 ••• MADISON & ST. CLAIR

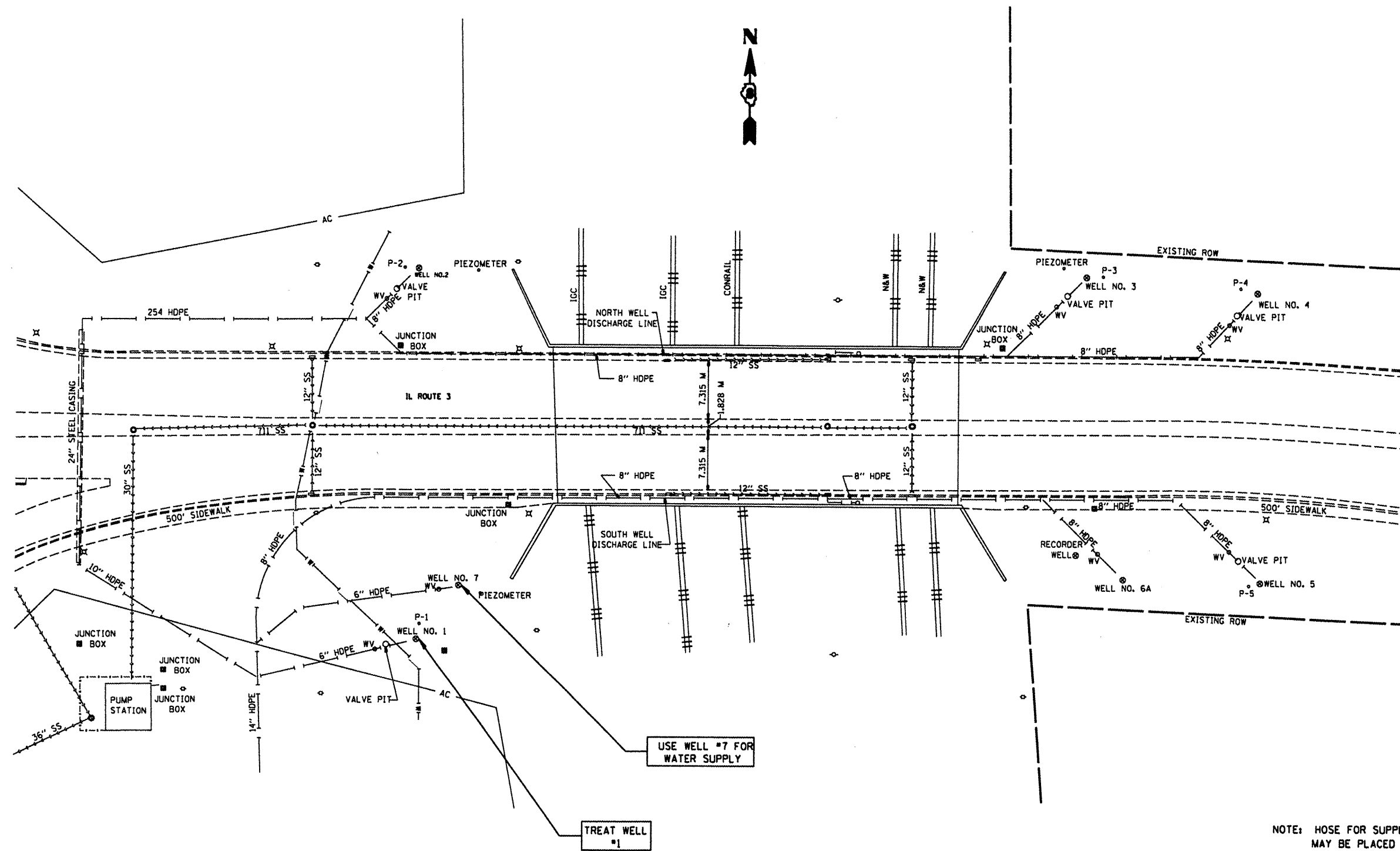
FILE NAME *	USER NAME * milleraj	DESIGNED -	REVISED -	STATE OF ILLINOIS DEPARTMENT OF TRANSPORTATION	GENERAL NOTES	F.A.I RTE.	SECTION	COUNTY	TOTAL SHEETS	SHEET NO.	
ai\pr-work\pudat\milleraj\dms58498\d8	27-shr-plan.dgn	DRAWN -	REVISED -			VAR	**	***	9	2	
	PLOT SCALE * 100.0000 ' / in.	CHECKED -	REVISED -			CONTRACT NO. 16E12					
	PLOT DATE * 6/13/2011	DATE -	REVISED -			SCALE: _____ SHEET NO. ___ OF ___ SHEETS STA. _____ TO STA. _____ FED. ROAD DIST. NO. (ILLINOIS) FED. AID PROJECT					

SUMMARY OF QUANTITIES

SUMMARY OF QUANTITIES			URBAN TOTAL QUANTITIES	CONSTRUCTION TYPE CODE 0044 100% STATE URBAN			
CODE NO	ITEM	UNIT		LOCATION 1 MADISON	LOCATION 2 ST. CLAIR	LOCATION 3 ST. CLAIR	LOCATION 4 ST. CLAIR
67100100	MOBILIZATION	L SUM	1	0.25	0.25	0.25	0.25
70102630	TRAFFIC CONTROL AND PROTECTION, STANDARD 701601	L SUM	1				1
X0300358	ADDITIONAL TREATMENT NO. 1	EACH	10	1	2	5	2
X0300359	ADDITIONAL TREATMENT NO. 2	EACH	10	1	2	5	2
X0325850	SONAR-JET TREATMENT	EACH	2			1	1
X0943700	WELL CHEMICAL TREATMENT	EACH	7	1	2	3	1
X0943705	WELL CHEMICAL TREATMENT, SPECIAL	EACH	1			1	

** DIST 8 DEEP WELLS 2012-1
*** MADISON & ST. CLAIR

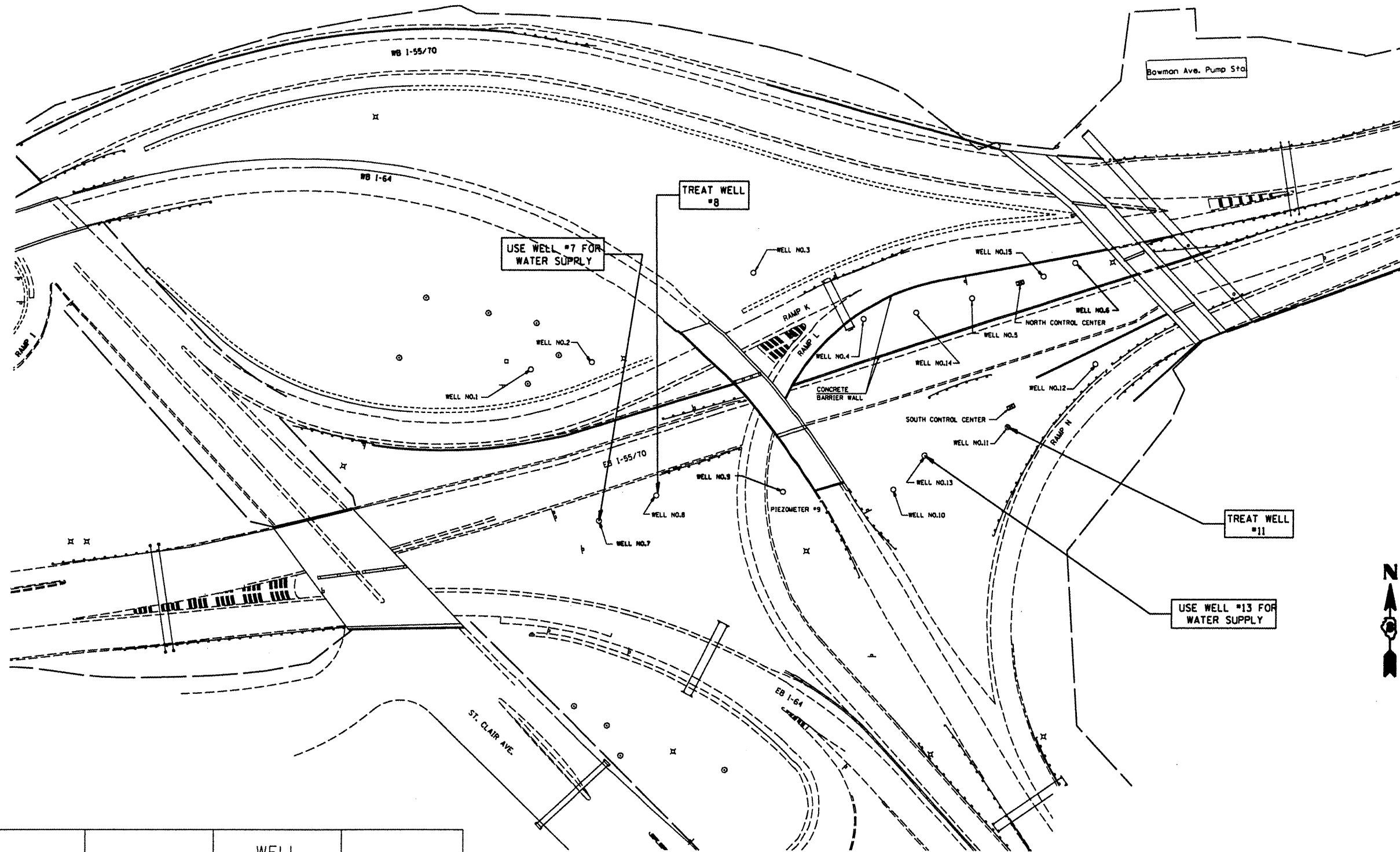
FILE NAME *	USER NAME * millerj	DESIGNED -	REVISED -	STATE OF ILLINOIS DEPARTMENT OF TRANSPORTATION	SUMMERAY OF QUANTITIES	F.A.I RTE.	SECTION	COUNTY	TOTAL SHEETS	SHEET NO.	
c:\p\work\pudat\millerj\dms58498\d8	6e27-sht-plan.dgn	DRAWN -	REVISED -			VAR	**	***	9	3	
	PLOT SCALE * 100.0000 ' / in.	CHECKED -	REVISED -			CONTRACT NO. 76E12					
	PLOT DATE * 6/13/2011	DATE -	REVISED -			SCALE: _____ SHEET NO. _____ OF _____ SHEETS STA. _____ TO STA. _____		FED. ROAD DIST. NO. - ILLINOIS FED. AID PROJECT			



NOTE: HOSE FOR SUPPLY WATER MAY BE PLACED ON SIDE WALK WHILE IN USE, BUT MUST BE REMOVED OVER NIGHT.

LOCATION	ADDITIONAL TREATMENT NO. 1	ADDITIONAL TREATMENT NO. 2	WELL CHEMICAL TREATMENT	WELL CHEMICAL TREATMENT SPECIAL	SONAR JET TREATMENT
WELL #1	X	X	X		

•• DIST 8 DEEP WELLS 2012-1
 ••• MADISON & ST. CLAIR



LOCATION	ADDITIONAL TREATMENT NO.1	ADDITIONAL TREATMENT NO. 2	WELL CHEMICAL TREATMENT	WELL CHEMICAL TREATMENT SPECIAL	SONAR JET TREATMENT
WELL #8	X	X	X		
WELL #11	X	X	X		

•• DIST 8 DEEP WELLS 2012-1
 ••• MADISON & ST. CLAIR

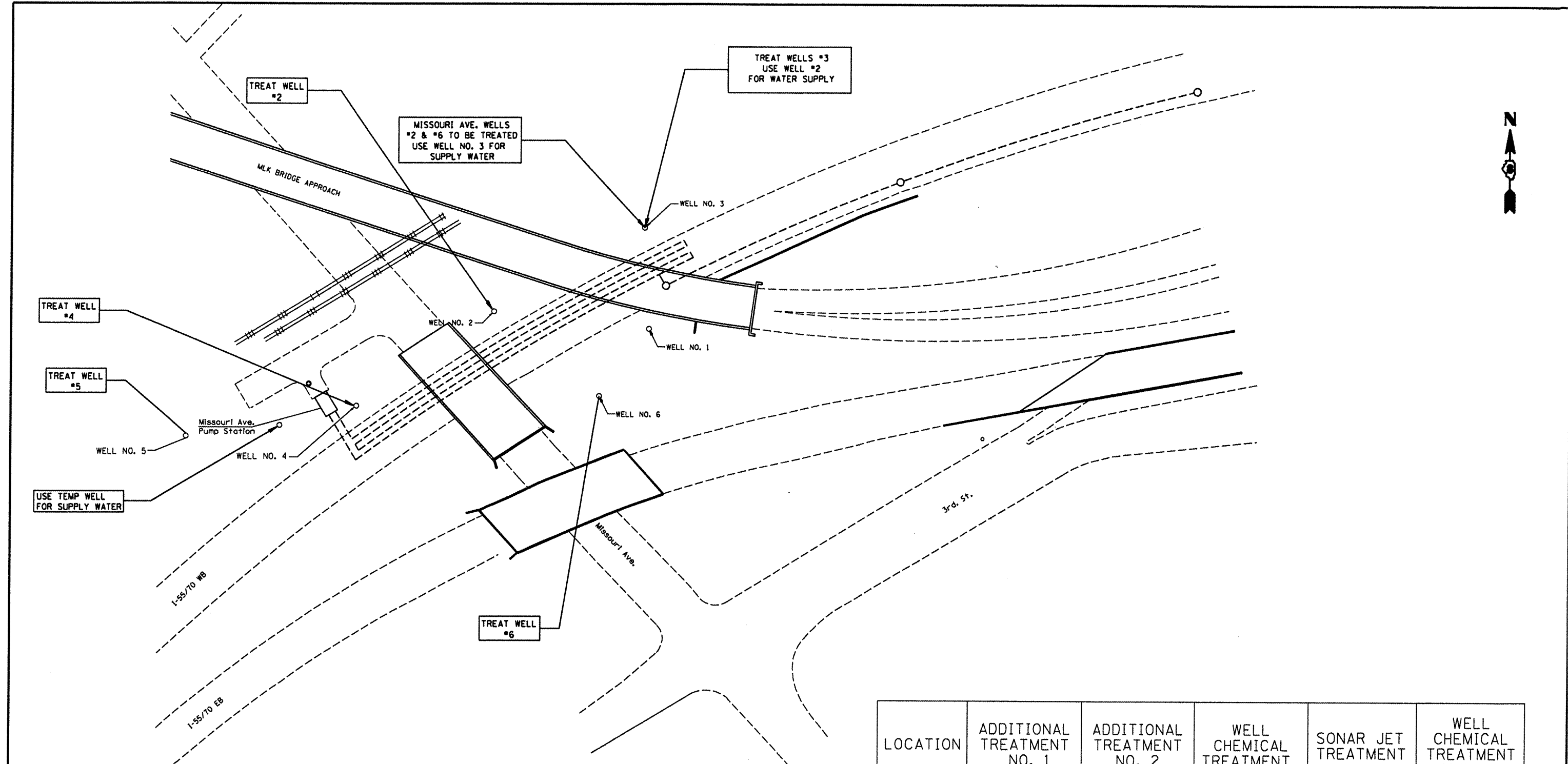
FILE NAME *	USER NAME * milleraj	DESIGNED -	REVISED -
c:\pwork\pdat\milleraj\dms58498\d8	27-shr-plan.dgn	DRAWN -	REVISED -
	PLOT SCALE * 100.0000' / in.	CHECKED -	REVISED -
	PLOT DATE * 6/13/2011	DATE -	REVISED -

**STATE OF ILLINOIS
 DEPARTMENT OF TRANSPORTATION**

LOCATION 2 SITE PLAN TRI-LEVEL WELLS

SCALE: _____ SHEET NO. _____ OF _____ SHEETS STA. _____ TO STA. _____

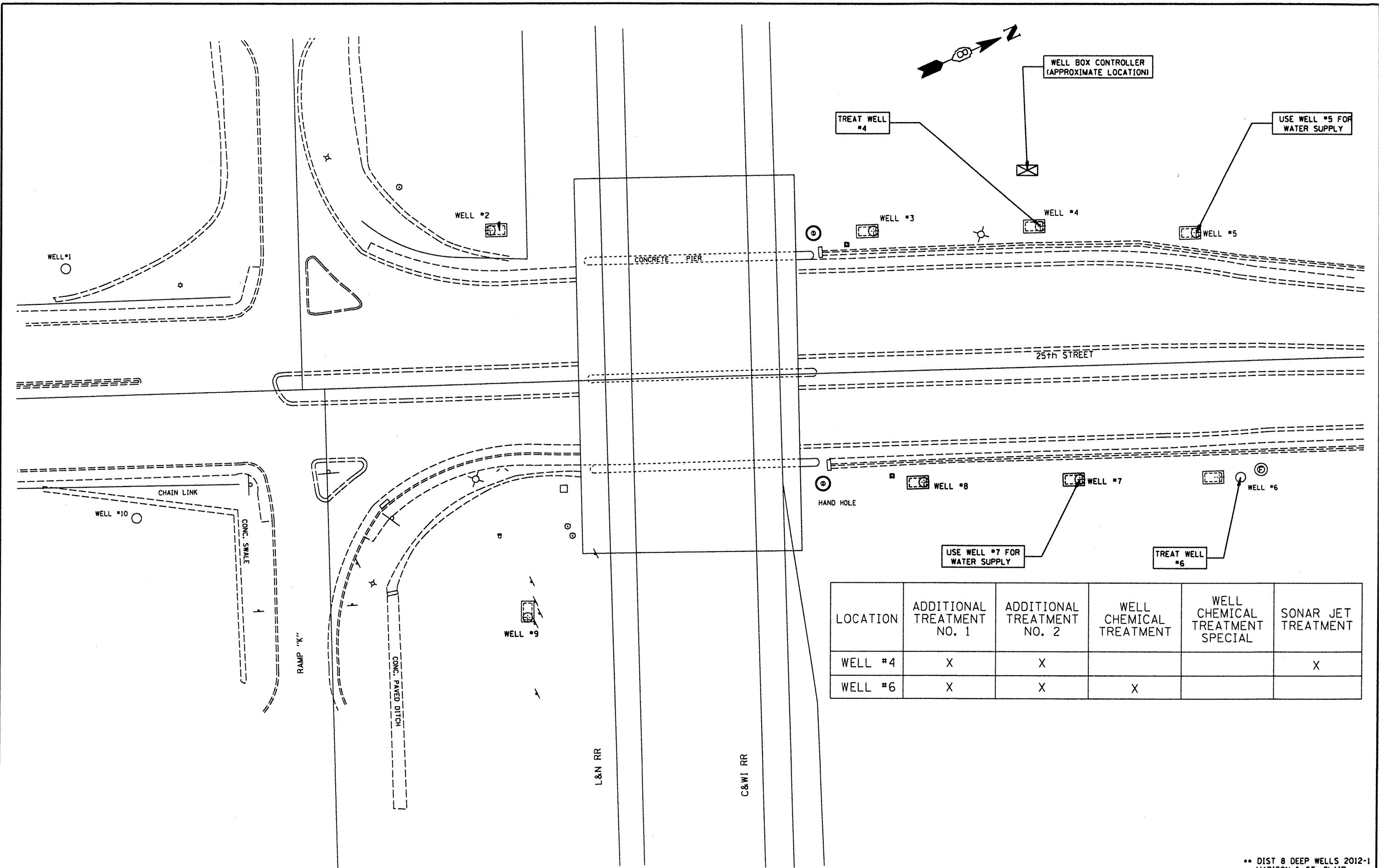
F.A.P. RTE. V48	SECTION 22	COUNTY 223	TOTAL SHEETS 9	SHEET NO. 5
CONTRACT NO. 16E12				
FED. ROAD DIST. NO. - ILLINOIS FED. AID PROJECT				



NOTES: 1. WELL CHEMICAL TREATMENT SPECIAL, SHALL BE USED AT MISSOURI AVE. WELL NO. 4.

LOCATION	ADDITIONAL TREATMENT NO. 1	ADDITIONAL TREATMENT NO. 2	WELL CHEMICAL TREATMENT	SONAR JET TREATMENT	WELL CHEMICAL TREATMENT SPECIAL
WELL #2	X	X	X		
WELL #3	X	X		X	
WELL #4	X	X			X
WELL #5	X	X	X		
WELL #6	X	X	X		

•• DIST 8 DEEP WELLS 2012-1
••• MADISON & ST. CLAIR



LOCATION	ADDITIONAL TREATMENT NO. 1	ADDITIONAL TREATMENT NO. 2	WELL CHEMICAL TREATMENT	WELL CHEMICAL TREATMENT SPECIAL	SONAR JET TREATMENT
WELL #4	X	X			X
WELL #6	X	X	X		

•• DIST 8 DEEP WELLS 2012-1
 ••• MADISON & ST. CLAIR

FILE NAME *	USER NAME * milleraj	DESIGNED -	REVISED -
cr\pv_work\psidat\milleraj\dms58498\c8	6/27-sht-plandgn	DRAWN -	REVISED -
	PLOT SCALE * 100.0000 / in.	CHECKED -	REVISED -
	PLOT DATE * 6/13/2011	DATE -	REVISED -

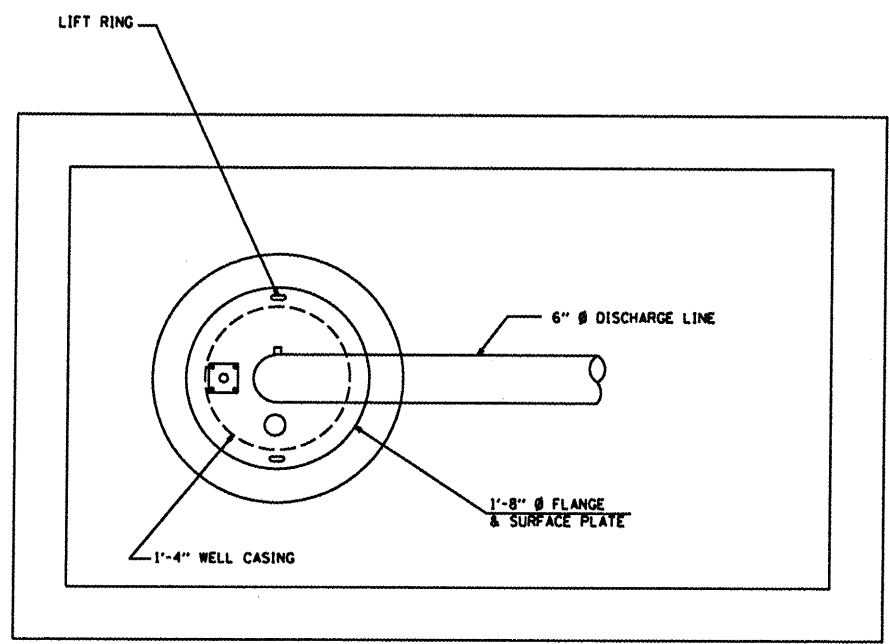
**STATE OF ILLINOIS
 DEPARTMENT OF TRANSPORTATION**

LOCATION 4 SITE PLAN 25th STREET WELLS

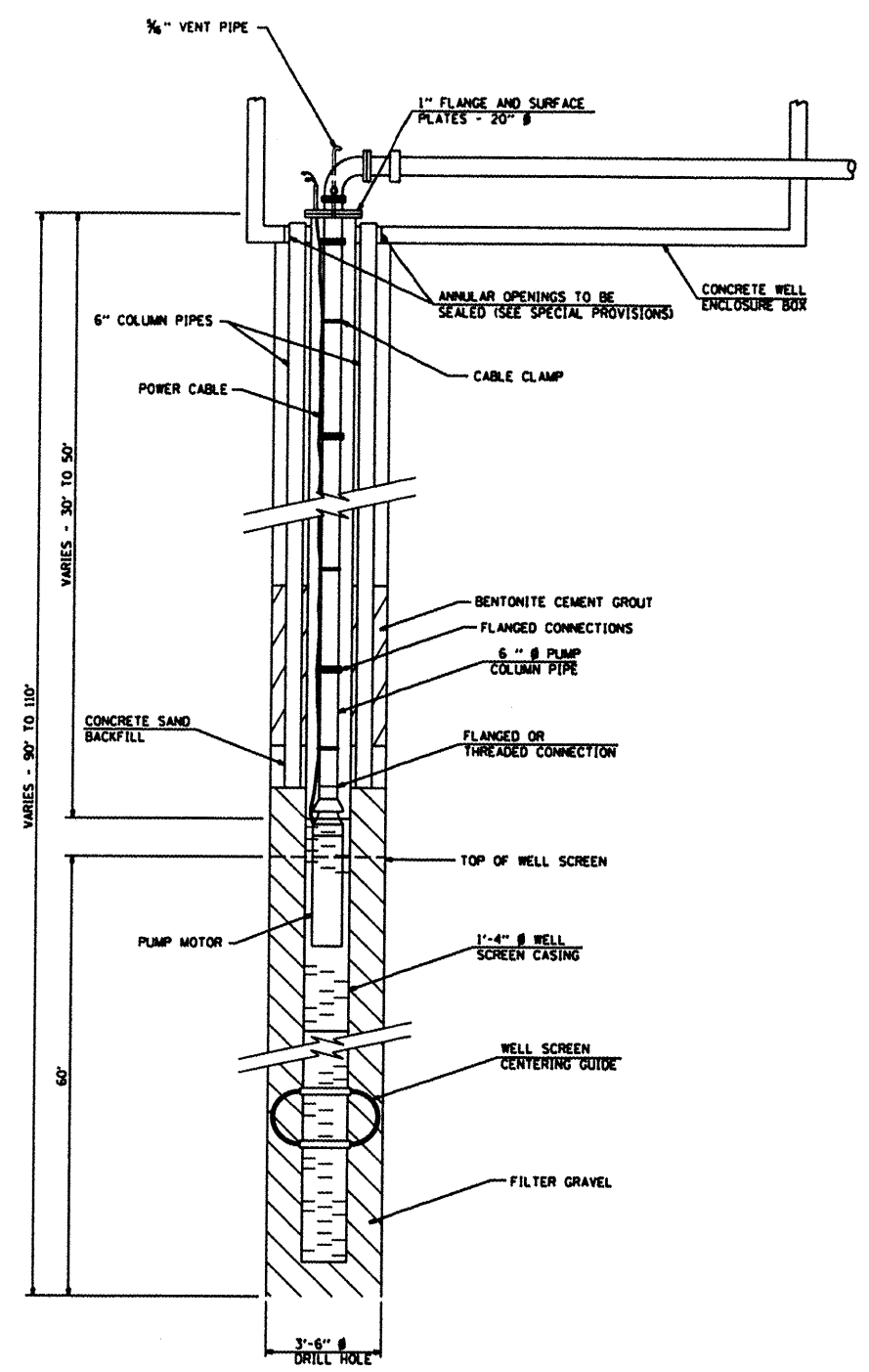
SCALE: _____ SHEET NO. ____ OF ____ SHEETS STA. _____ TO STA. _____

F.A.R. RTE.	SECTION	COUNTY	TOTAL SHEETS	SHEET NO.
X88	02	033	9	7
FED. ROAD DIST. NO. [ILLINOIS] FED. AID PROJECT				

CONTRACT NO. 16E12



WELL HEAD DETAIL

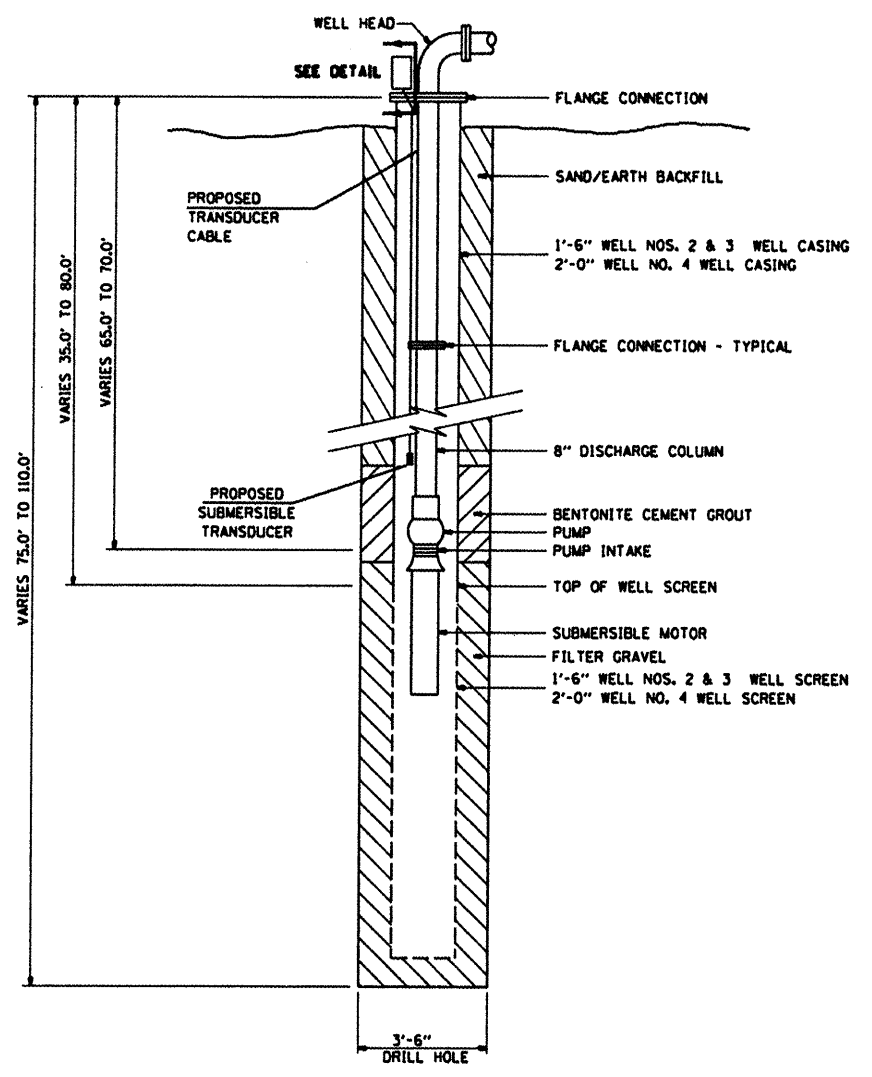
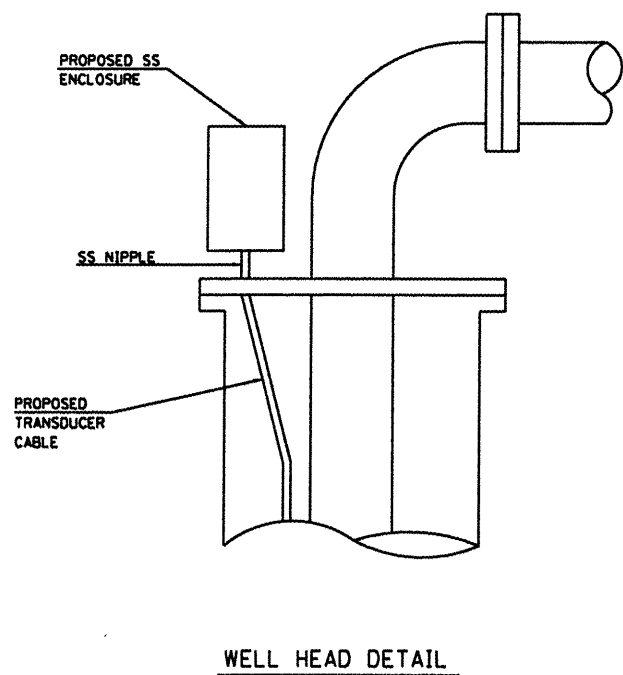


EXISTING

NOT TO SCALE

•• DIST 8 DEEP WELLS 2012-1
 ••• MADISON & ST. CLAIR

FILE NAME *	USER NAME * milleraj	DESIGNED -	REVISED -	STATE OF ILLINOIS DEPARTMENT OF TRANSPORTATION	TYPICAL WELL DETAILS LOCATION 1, 2 & 4	F.A.P. RTE.	SECTION	COUNTY	TOTAL SHEETS	SHEET NO.	
at\pwwork\puidot\milleraj\dms58498\d8	Se27-sht-plan.dgn	DRAWN -	REVISED -			Y&B	**	***	9	8	
	PLOT SCALE * 1/8" = 1' / in.	CHECKED -	REVISED -			CONTRACT NO. 16E12					
	PLOT DATE * 6/13/2011	DATE -	REVISED -			FED. ROAD DIST. NO. ILLINOIS FED. AID PROJECT					



NOT TO SCALE

•• DIST 8 DEEP WELLS 2012-1
 ••• MADISON & ST. CLAIR

FILE NAME *	USER NAME * milleraj	DESIGNED -	REVISED -
cr\pv\work\pilot\milleraj\dms58498\d8	se27-ahs-plan.dgn	DRAWN -	REVISED -
	PLOT SCALE * 1/8" = 1' / in.	CHECKED -	REVISED -
	PLOT DATE * 6/13/2011	DATE -	REVISED -

STATE OF ILLINOIS
 DEPARTMENT OF TRANSPORTATION

TYPICAL WELL DETAILS LOCATION 3

SCALE: _____ SHEET NO. _____ OF _____ SHEETS STA. _____ TO STA. _____

F.A.P. RTE.	SECTION	COUNTY	TOTAL SHEETS	SHEET NO.
VAB	SS	SS	9	9
CONTRACT NO. 76E12			FED. ROAD DIST. NO. [ILLINOIS] FED. AID PROJECT	