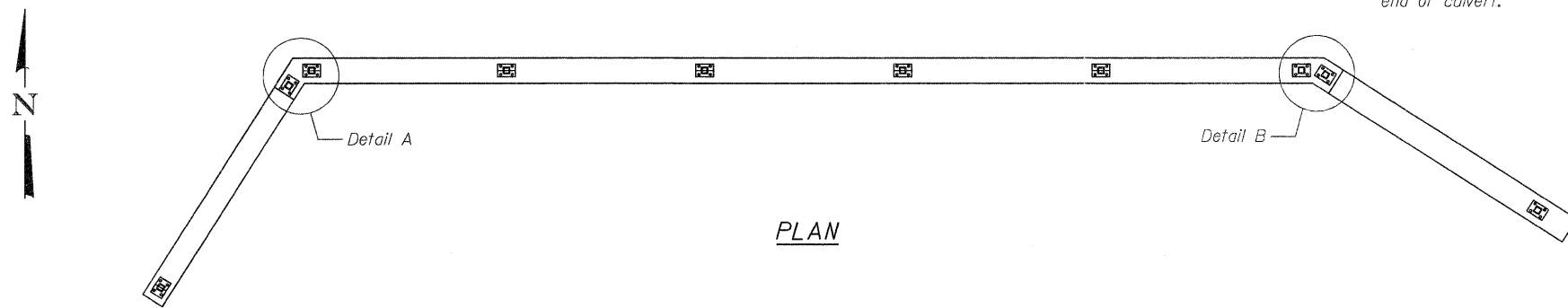


STATION 494+85.00  
 BUILT 20 BY  
 STATE OF ILLINOIS  
 F.A.P. RT. 331 SEC. (IX-1)R-7  
 LOADING HS20-44  
 STR. NO. 100-6024

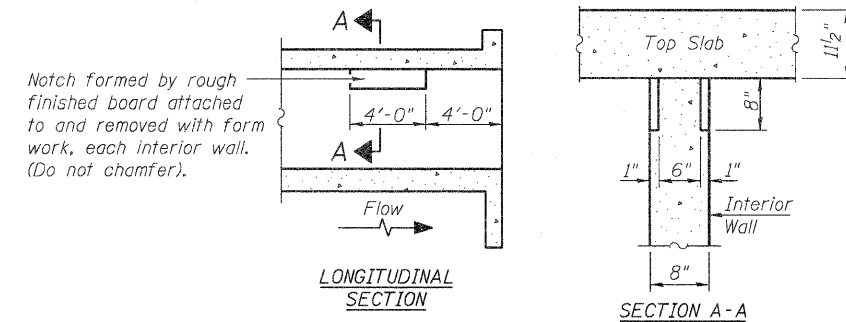
**NAME PLATE**  
 See Std. 515001

**ELEVATION**

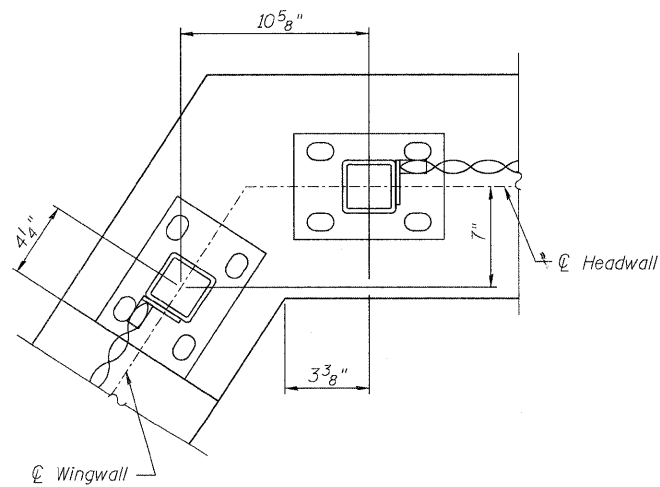
Notes:  
 Posts shall be placed along C/Headwall and wingwalls.  
 Bicycle Railing is only required at south end of culvert.



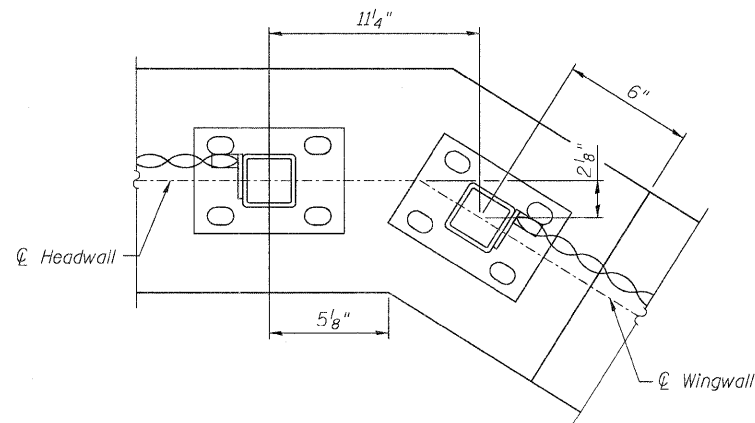
**PLAN**



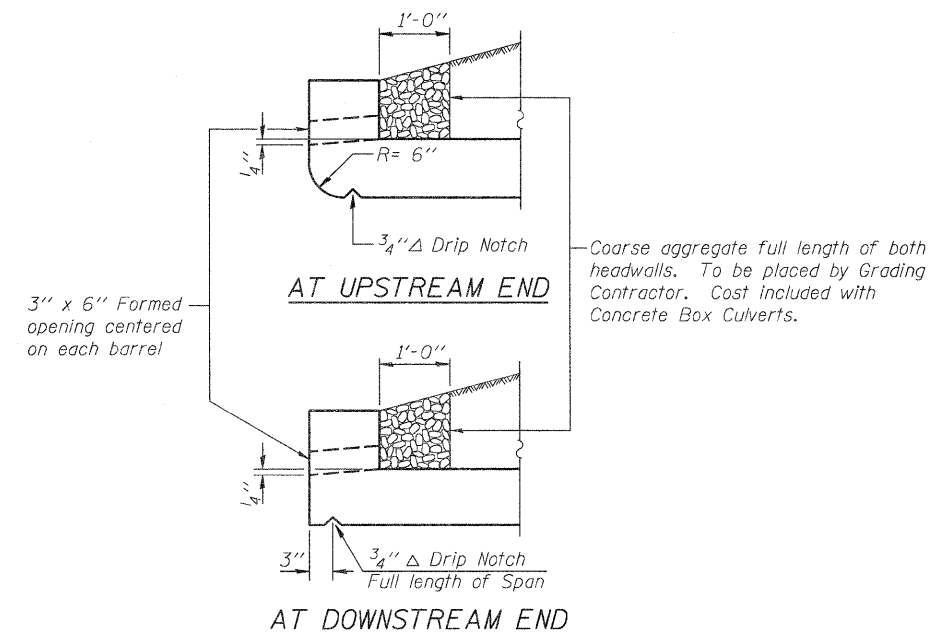
**PHOEBE NESTING SITE DETAILS**  
 (Downstream End Only)



**DETAIL A**



**DETAIL B**



**DRAIN DETAIL**

(Sheet 2 of 2)

USER NAME =	DESIGNED - TBP	REVISED -
FILE NAME =	CHECKED - MTH	REVISED -
PLOT SCALE =	DRAWN - AJF	REVISED -
PLOT DATE =	CHECKED - MTH	REVISED -

F.A.P. RTE.	SECTION	COUNTY	TOTAL SHEETS	SHEET NO.
331	(IX-1)R-7	WILLIAMSON	79	36
			CONTRACT NO. 78251	
ILLINOIS FED. AID PROJECT				