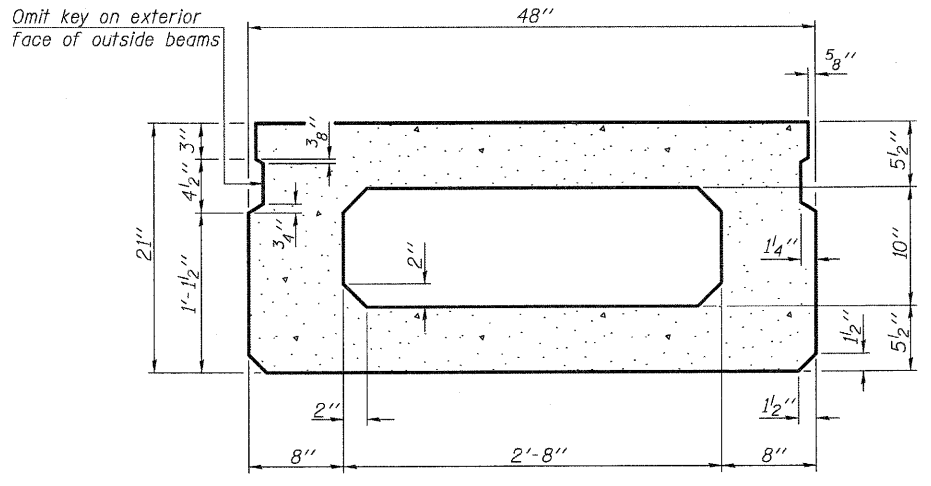
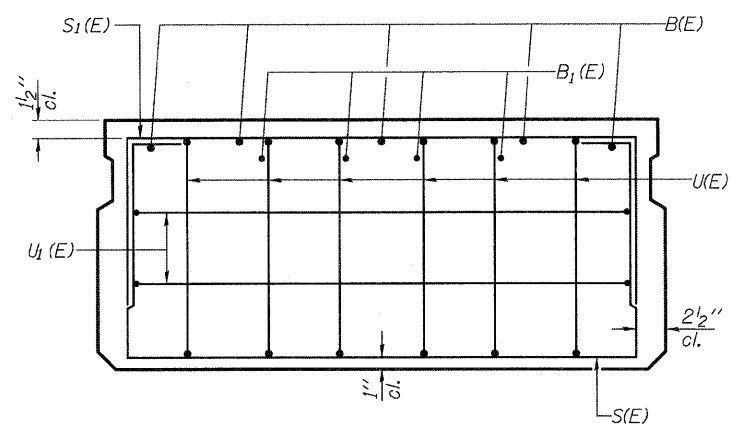


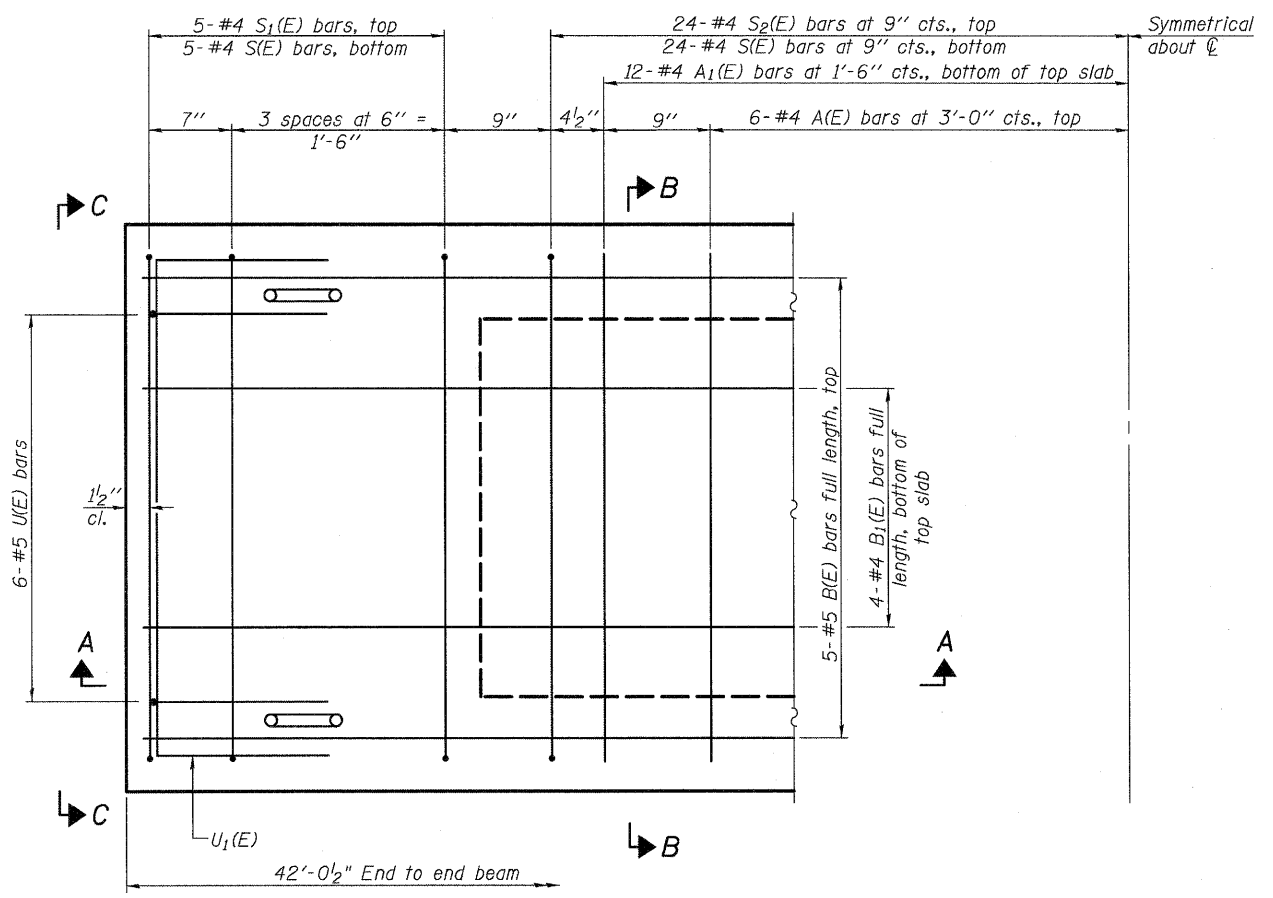
SECTION A-A



SECTION B-B
(Showing dimensions)

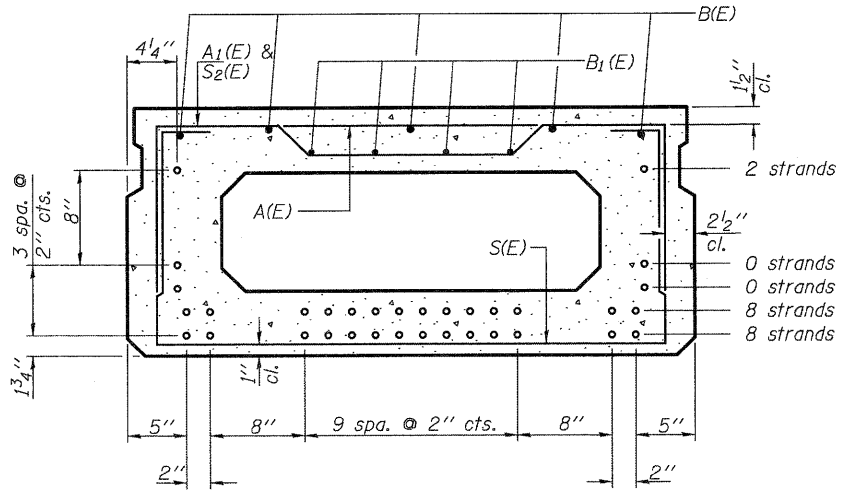


VIEW C-C



PLAN VIEW

Note: Spacing of S(E) and S2(E) bars may be adjusted up to 4" in the immediate area of the transverse tie diaphragms to miss the block outs for the transverse ties.



SECTION B-B

(Showing reinforcement and permissible strand locations)
18 - 1/2" ϕ Strands
(8 Strands 1 3/4" up, 8 Strands 3 3/4" up, 2 Strands 15 3/4" up)
Note: Place the number of strands specified in each row symmetrically about the centerline of beam in the permissible strand locations shown.

MINIMUM BAR LAP

#4 bar = 2'-0"
#5 bar = 2'-6"

BAR LIST
ONE BEAM ONLY
(For Information Only)

Bar	No.	Size	Length	Shape
A(E)	12	#4	3'-7"	—
A1(E)	24	#4	3'-10"	—
B(E)	5	#5	41'-9"	—
B1(E)	4	#4	41'-9"	—
S(E)	58	#4	7'-5"	□
S1(E)	10	#4	5'-11"	□
S2(E)	48	#4	6'-2"	□
U(E)	12	#5	4'-0"	□
U1(E)	4	#4	6'-0"	□

Note: See sheet 15 of 24 for additional details and Bill of Material.

FILE NAME = N:\Projects\2010\100954_Berthong\1\cadd\Structural\Drawings\019-6107-013-21x48PPCDeckBeamsSpan1&3.dgn

PD-2148-0

7-1-10

(Spans 1 and 3)

WILLS BURKE KELSEY ASSOCIATES LTD.
116 West Main Street, Suite 201
St. Charles, Illinois 60174
(830) 443-7755

USER NAME = #USER#	DESIGNED - MLH	REVISED -
PLOT SCALE =	CHECKED - AEU	REVISED -
PLOT DATE = 7/6/2011	DRAWN - MLH	REVISED -
	CHECKED - AEU	REVISED -

**STATE OF ILLINOIS
DEPARTMENT OF TRANSPORTATION**

**21" x 48" PPC DECK BEAM
STRUCTURE NO. 019-6107**

SHEET NO. 13 OF 24 SHEETS

F.A.U. RTE.	SECTION	COUNTY	TOTAL SHEETS	SHEET NO.
5355	04-00167-00-BR	DEKALB	88	59
FED. ROAD DIST. NO.			ILLINOIS FED. AID PROJECT	

CONTRACT NO. 87491