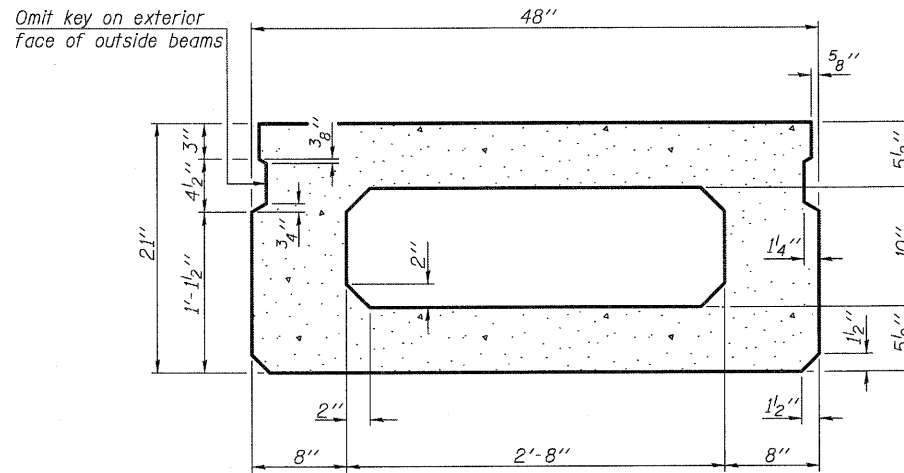
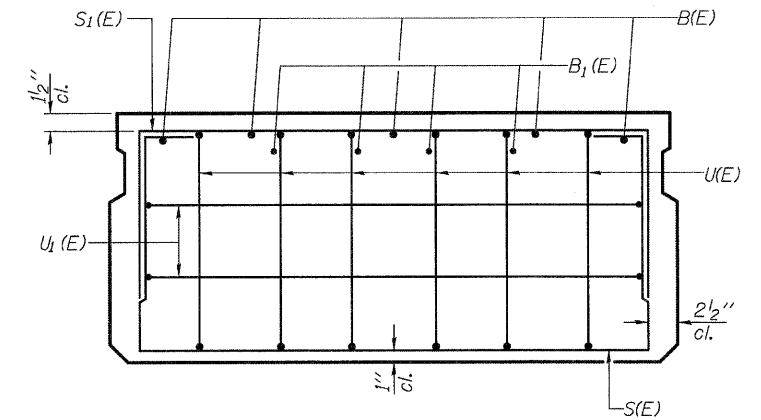


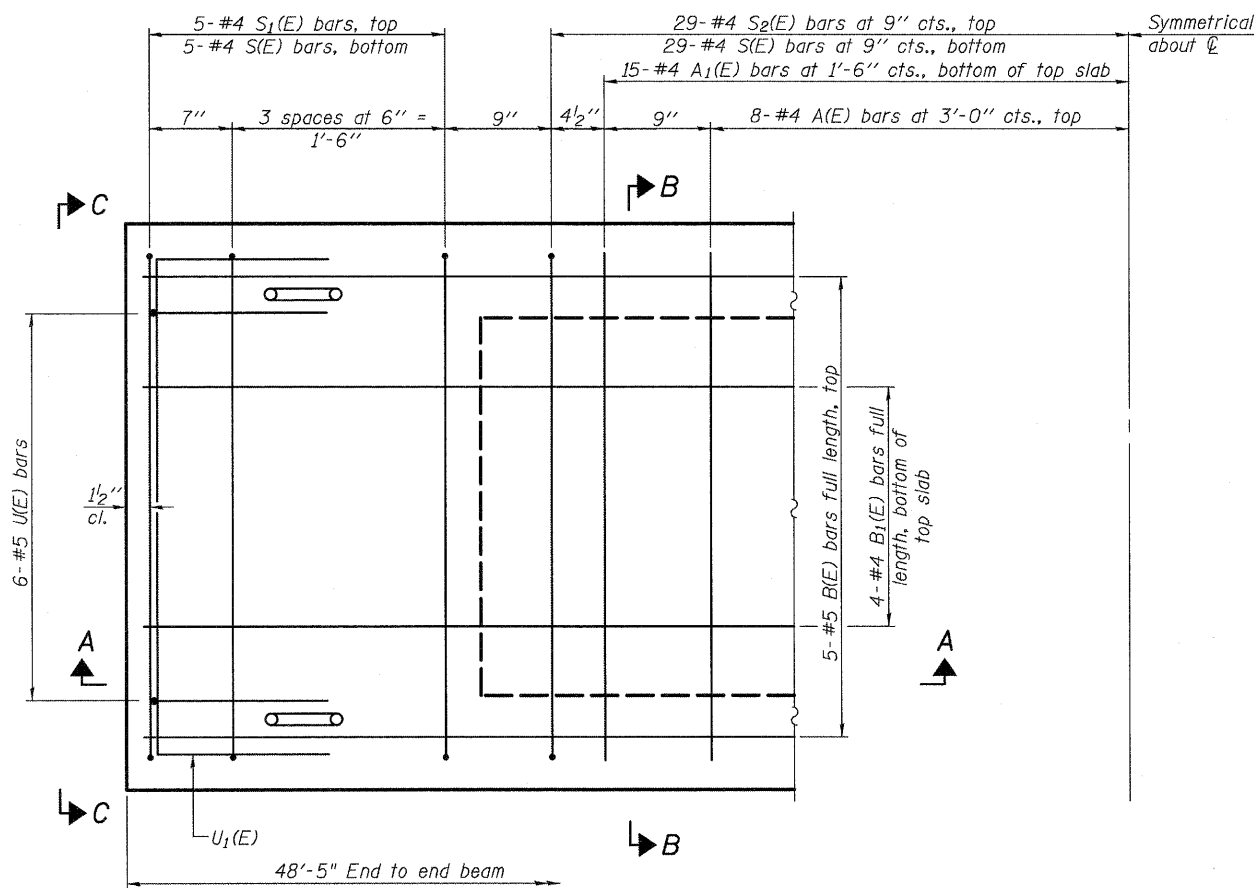
SECTION A-A



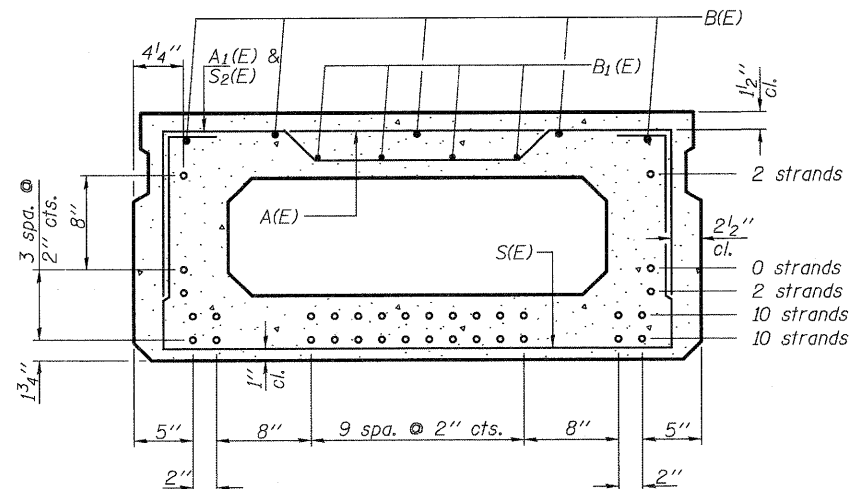
SECTION B-B  
(Showing dimensions)



VIEW C-C



PLAN VIEW



SECTION B-B

(Showing reinforcement and permissible strand locations)  
24-1/2" φ Strands

(10 Strands 1 3/4" up, 10 Strands 3 3/4" up, 2 Strands 5 3/4" up, 2 Strands 15 3/4" up)

Note: Place the number of strands specified in each row symmetrically about the centerline of beam in the permissible strand locations shown.

MINIMUM BAR LAP

#4 bar = 2'-0"  
#5 bar = 2'-6"

BAR LIST  
ONE BEAM ONLY  
(For Information Only)

Bar	No.	Size	Length	Shape
A(E)	16	#4	3'-7"	—
A1(E)	30	#4	3'-10"	—
B(E)	5	#5	48'-2"	—
B1(E)	4	#4	48'-2"	—
S(E)	68	#4	7'-5"	□
S1(E)	10	#4	5'-11"	□
S2(E)	58	#4	6'-2"	□
U(E)	12	#5	4'-0"	□
U1(E)	4	#4	6'-0"	□

Note: See sheet 15 of 24 for additional details and Bill of Material.

PD-2148-0

7-1-10

(Span 2)

**WILLIS BURKE KELSEY ASSOCIATES LTD.**  
116 West Main Street, Suite 201  
St. Charles, Illinois 60174  
(630) 443-7755

USER NAME = *USER*	DESIGNED - MLH	REVISED -
PLOT SCALE =	CHECKED - AEU	REVISED -
PLOT DATE = 7/6/2011	DRAWN - MLH	REVISED -
	CHECKED - AEU	REVISED -

STATE OF ILLINOIS  
DEPARTMENT OF TRANSPORTATION

21" x 48" PPC DECK BEAM  
STRUCTURE NO. 019-6107

SHEET NO. 14 OF 24 SHEETS

F.A.U. RTE.	SECTION	COUNTY	TOTAL SHEETS	SHEET NO.
5355	04-00167-00-BR	DEKALB	88	60
CONTRACT NO. 87491				
FED. ROAD DIST. NO. ILLINOIS FED. AID PROJECT				